

Electronic housing - EG 45-A/PC GN - 2764878

Please be informed that the data shown in this PDF Document is generated from our Online Catalog. Please find the complete data in the user's documentation. Our General Terms of Use for Downloads are valid (<http://download.phoenixcontact.com>)

Housing cover, for connection on both sides




Illustration shows a fully mounted version of the electronic housing

Why buy this product

- ✓ Tool-free mounting
- ✓ Date of manufacture and material and part identification embossed on the housing (recyclability)
- ✓ Fast snap-on mounting on symmetrical DIN rails according to EN 60715
- ✓ Practical and easy-to-wire conductor connection using extra finely stranded sturdy screw terminal blocks up to 2.5 mm²
- ✓ Optimum accommodation of electronic components with graded pitches with a design width of 22.5 mm, 45 mm, 67.5 mm, and 90 mm
- ✓ Functional and industry-oriented housing technology
- ✓ Shock and contamination-proof accommodation of electronic components (IP40 housing, IP20 terminal blocks)



Key commercial data

| | |
|--------------------------------------|---|
| Packing unit | 10 pc |
| Minimum order quantity | 10 pc |
| GTIN |  4 017918 119676 |
| Weight per Piece (excluding packing) | 12.1 g |
| Custom tariff number | 85369010 |
| Country of origin | Germany |

Technical data

General

| | |
|--------------|-------------------|
| Housing type | Component housing |
| Color | green |

Ambient conditions

| | |
|---------------------------------|-------|
| Ambient temperature (operation) | 80 °C |
|---------------------------------|-------|

Dimensions

Electronic housing - EG 45-A/PC GN - 2764878

Technical data

Dimensions

| | |
|-----------------------|---------|
| Length | 75 mm |
| Constructional height | 17.5 mm |
| Width | 45 mm |

Technical data

| | |
|---------------------|----|
| Number of positions | 16 |
|---------------------|----|

Classifications

eCl@ss

| | |
|------------|----------|
| eCl@ss 4.0 | 27180401 |
| eCl@ss 4.1 | 27180401 |
| eCl@ss 5.0 | 27180506 |
| eCl@ss 5.1 | 27180506 |
| eCl@ss 6.0 | 27180802 |
| eCl@ss 7.0 | 27182702 |
| eCl@ss 8.0 | 27182702 |

ETIM

| | |
|----------|----------|
| ETIM 2.0 | EC001031 |
| ETIM 3.0 | EC001031 |
| ETIM 4.0 | EC001031 |
| ETIM 5.0 | EC000886 |

UNSPSC

| | |
|---------------|----------|
| UNSPSC 6.01 | 31261501 |
| UNSPSC 7.0901 | 31261501 |
| UNSPSC 11 | 31261501 |
| UNSPSC 12.01 | 31261501 |
| UNSPSC 13.2 | 31261501 |

Approvals

Approvals

Approvals

UL Recognized


Ex Approvals

Electronic housing - EG 45-A/PC GN - 2764878

Approvals

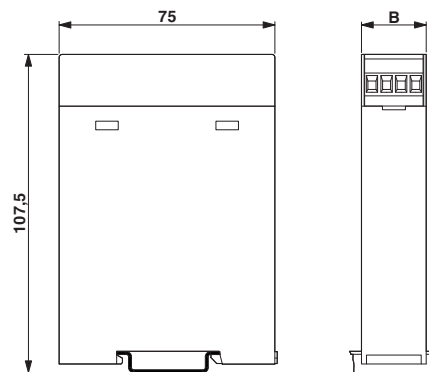
Approvals submitted

Approval details

UL Recognized 

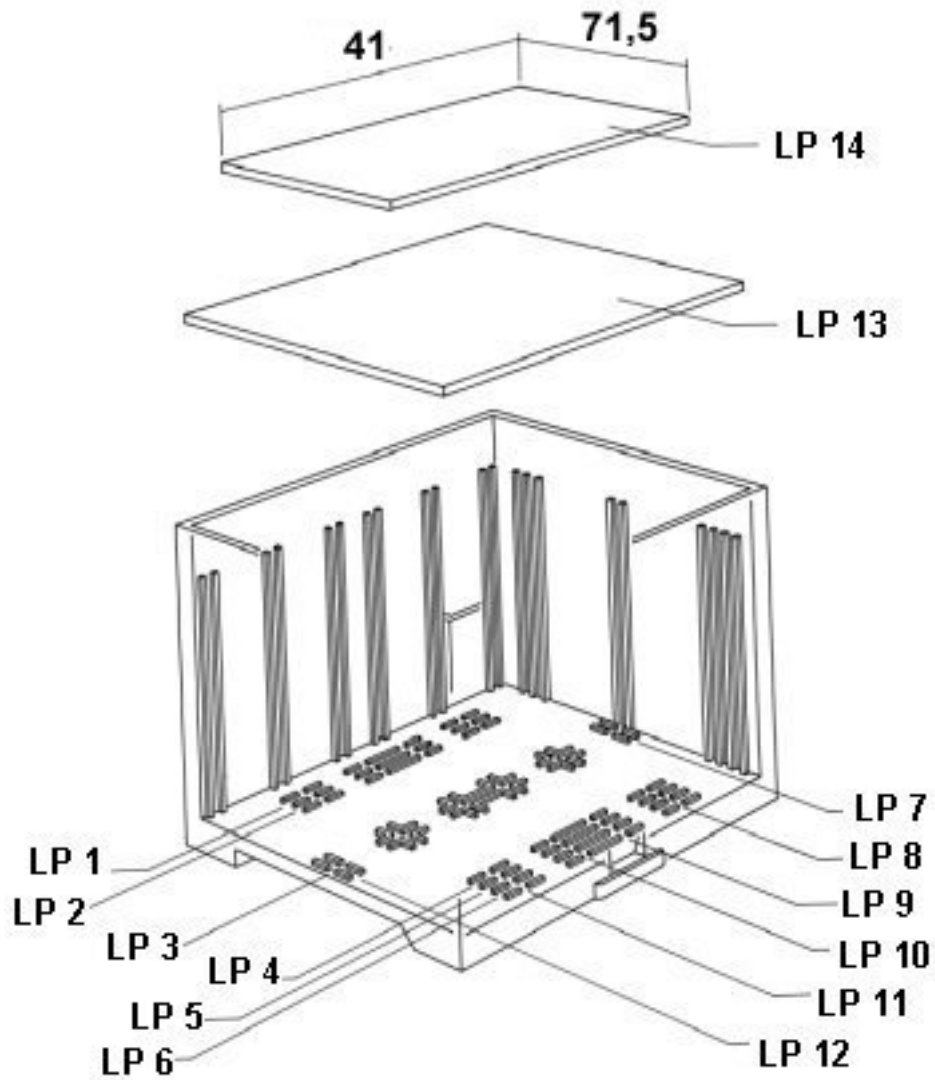
Drawings

Dimensioned drawing



Electronic housing - EG 45-A/PC GN - 2764878

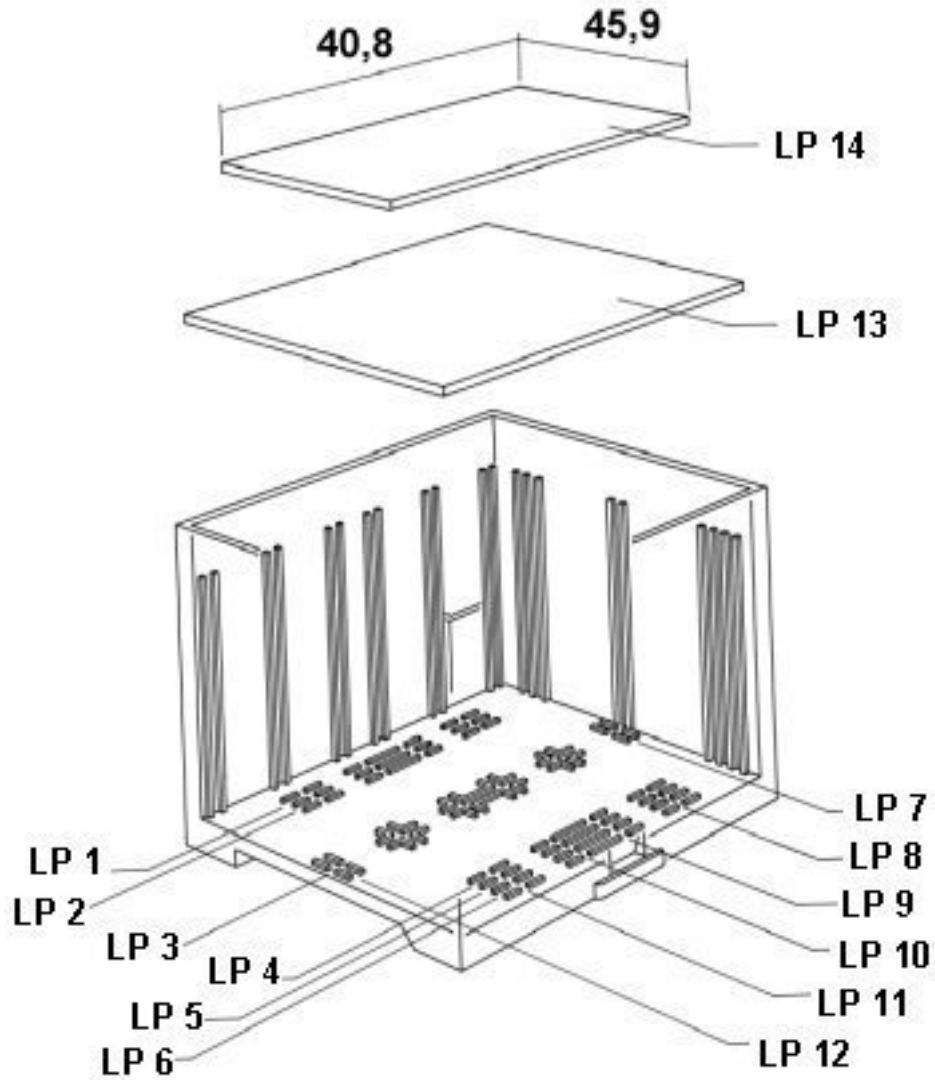
Explosion drawing



valid for PCB 13

Electronic housing - EG 45-A/PC GN - 2764878

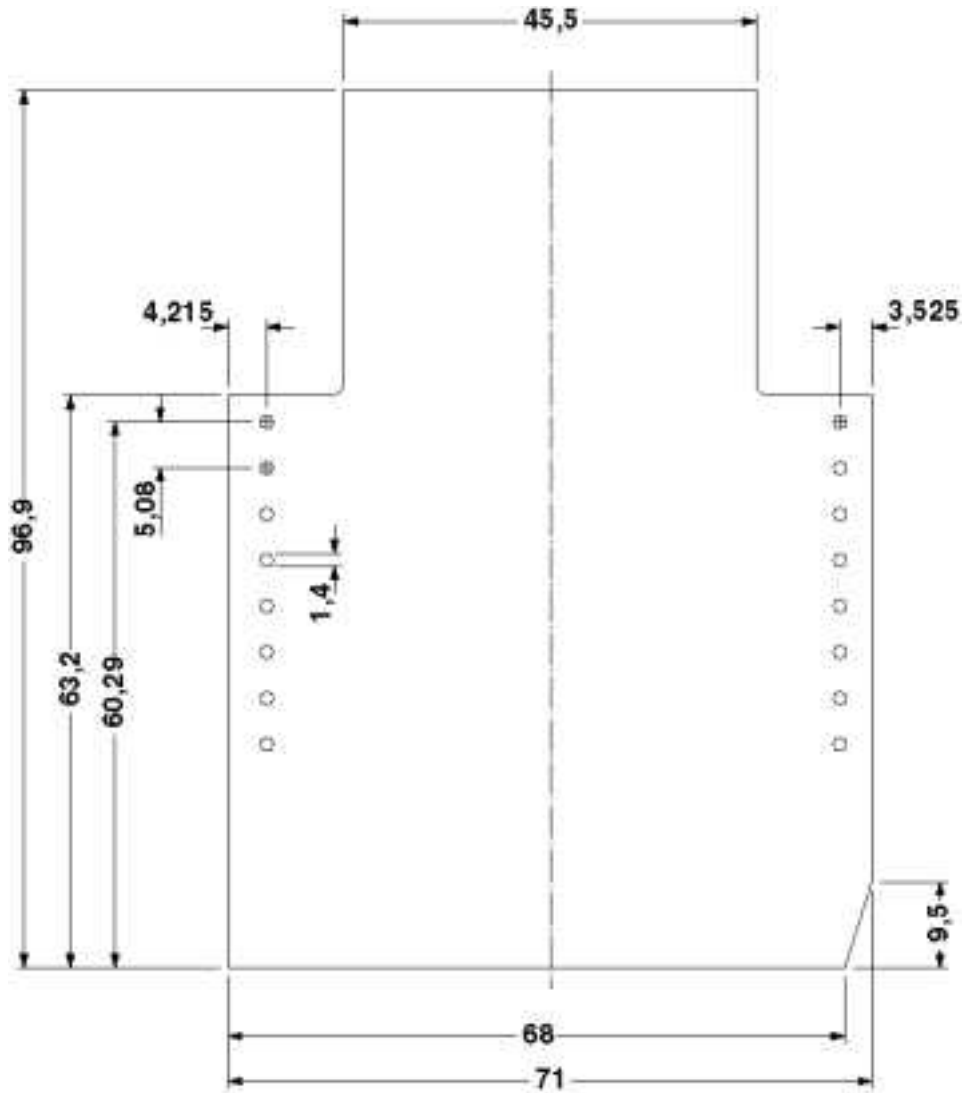
Explosion drawing



valid for PCB 14

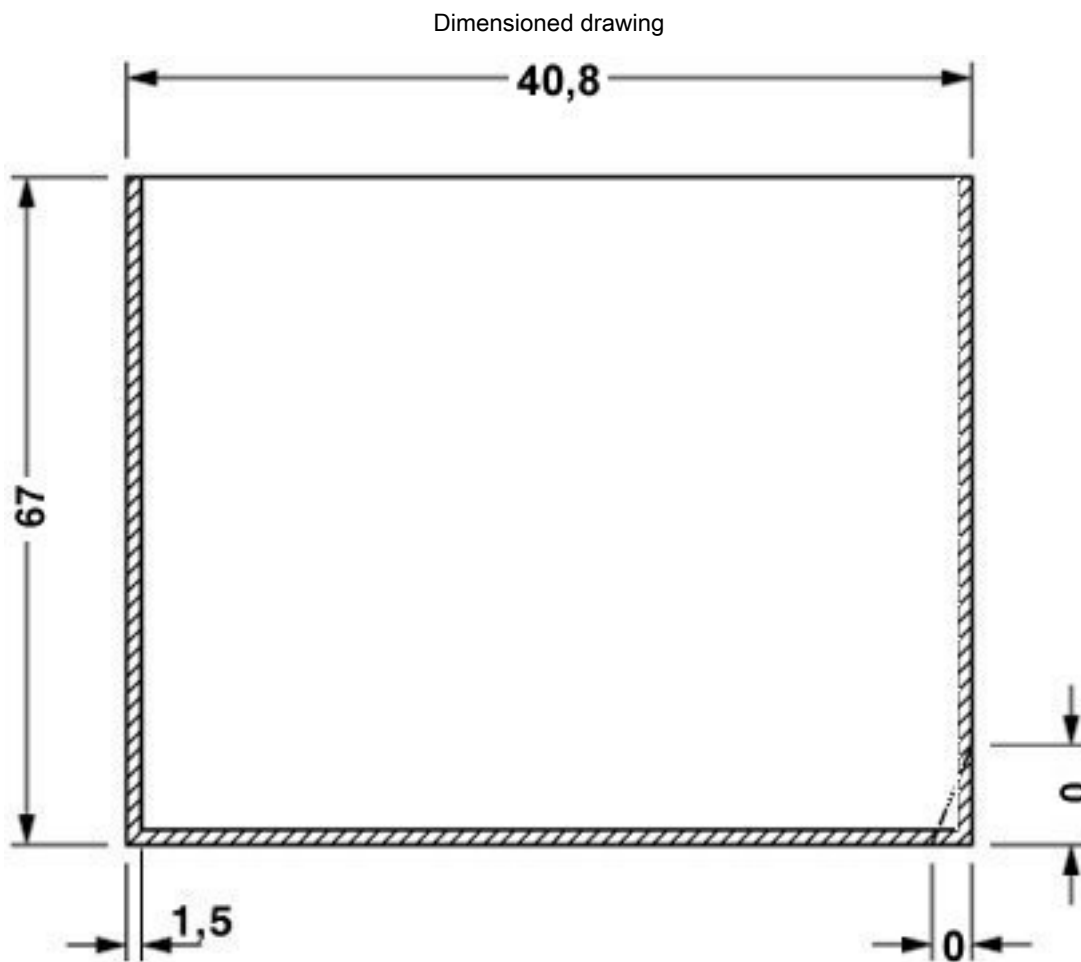
Electronic housing - EG 45-A/PC GN - 2764878

Dimensioned drawing



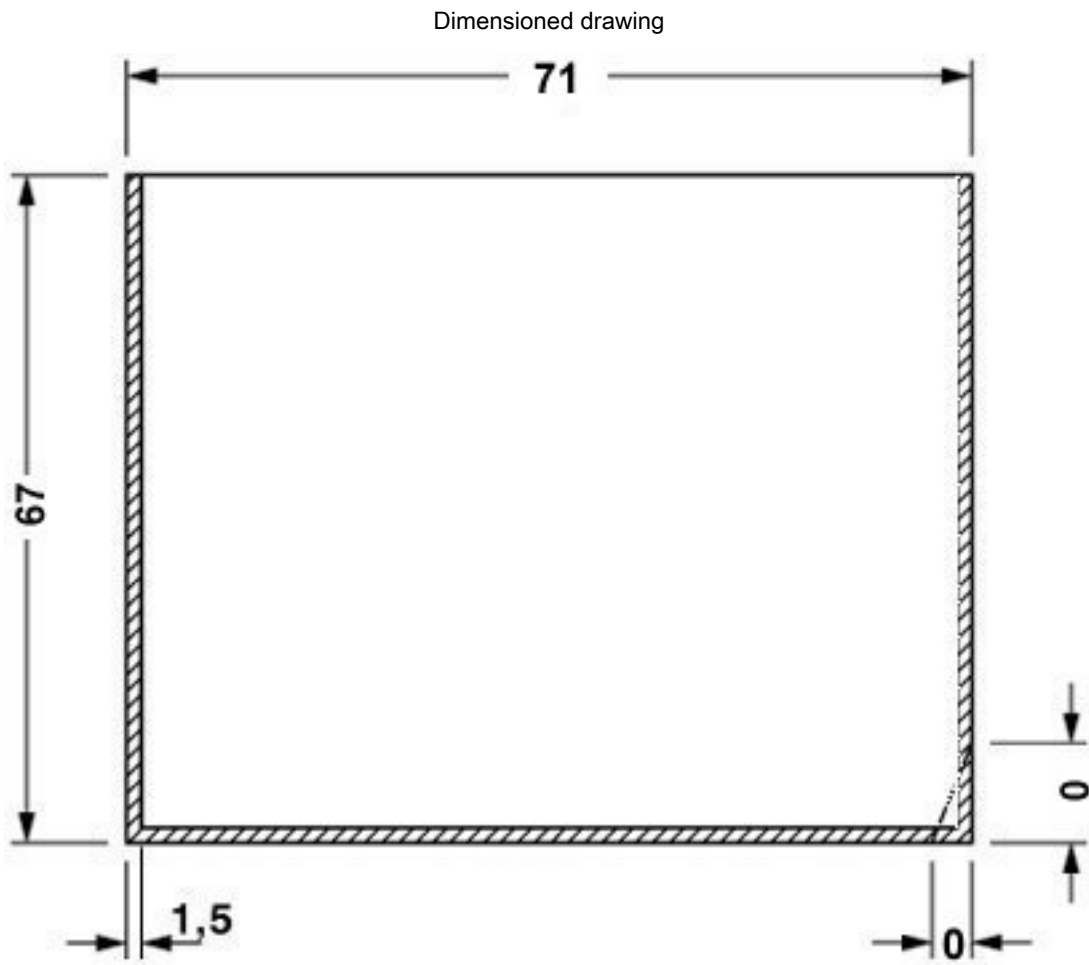
Component mounting side, if the double-level upper part is used

Electronic housing - EG 45-A/PC GN - 2764878



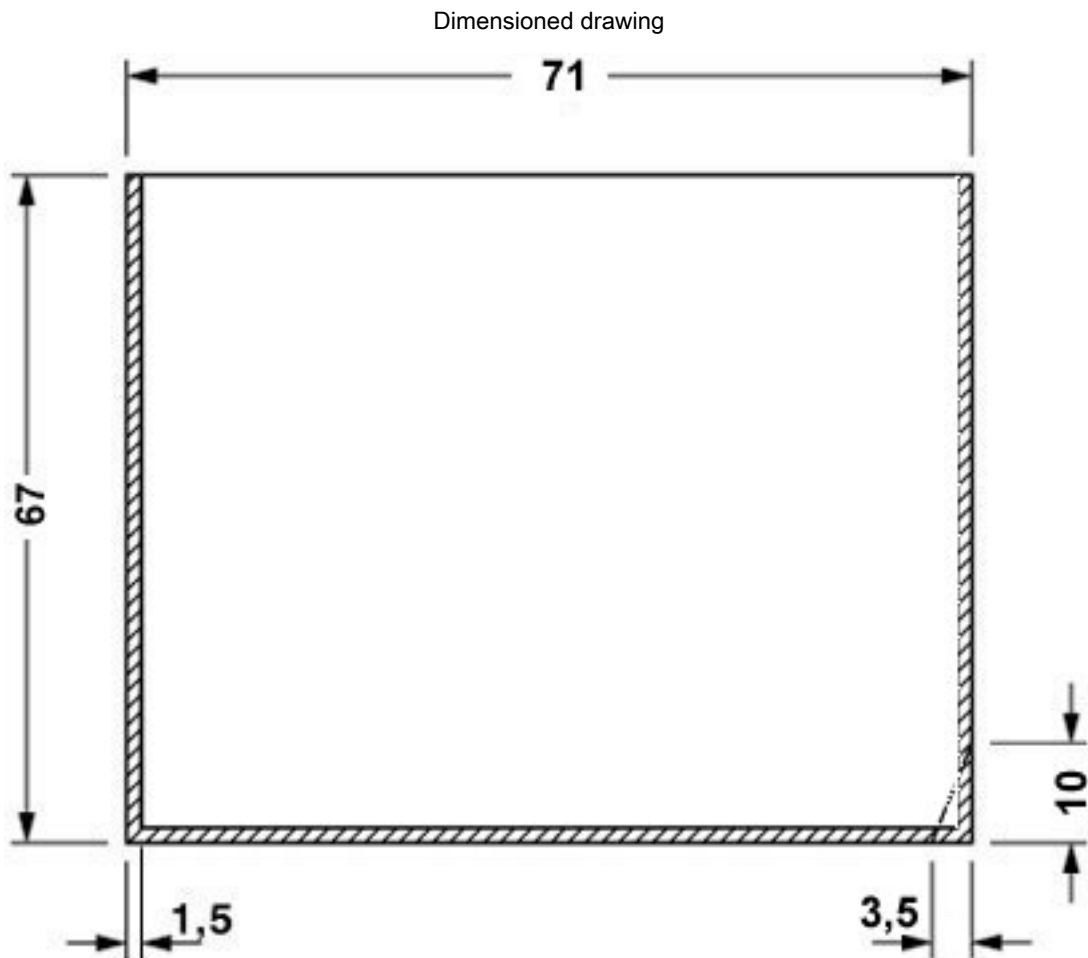
valid for PCB 1; 3; 5 and 6, see explosion drawing

Electronic housing - EG 45-A/PC GN - 2764878



valid for PCB 7 and 12, see explosion drawing

Electronic housing - EG 45-A/PC GN - 2764878



valid for PCB 10, see explosion drawing