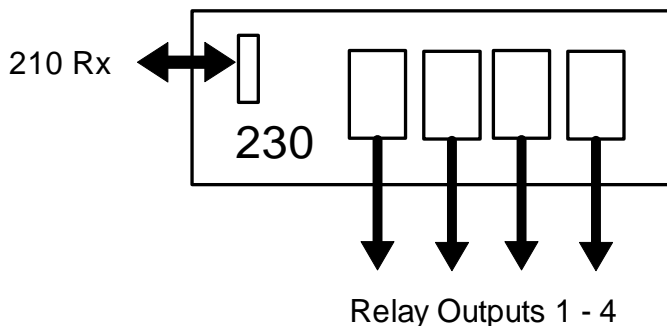


230 Relay Output Module



This DIN Rail module connects directly to the 210Rx and provides

- Four relay (type K7SFA12) outputs rated for up to 30A at 230Vac.
- Each relay provides 'input' and 'normally open' quick connect terminations.

The only connections required are

- Connection to the 210 Receiver via the ribbon cable supplied.
- Connection to each relay output via the relay 'quick connect' terminations.

The module requires no other connections as power is supplied from the 210Rx module.

Technical Specifications

Dimensions: Within DIN Rail: 115 x 82 mm (PCB: 109 x 72mm)

Storage Temperature: -10 to +70° Celsius. Operating Temperature: 0 to +55° Celsius.

Electrical Characteristics	Min	Typical	Max	Units
Supply Voltage	From 210Rx module			
Relay output Rating @ 230Vac*			30	A
@ 12Vdc			20	A

***The relay contacts in this unit are for functional use only and must not be used for isolation purposes**

Part Numbering

Part No	Description
230R	Relay Output Module with 4 relay outputs rated 30A @230VAC