

ALUMINUM ELECTROLYTIC CAPACITORS

nichicon

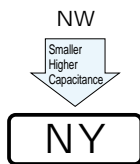
NY series

Screw Terminal Type, 85°C Smaller Sized Higher Capacitance



NEW

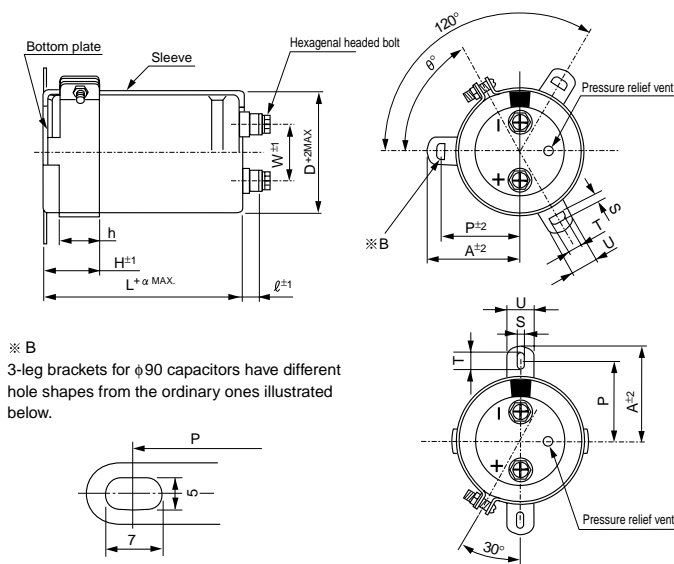
- Suited for equipment down sizing.
- Load life of 2000 hours application of ripple current at 85°C
- Compliant to the RoHS directive (2002/95/EC).



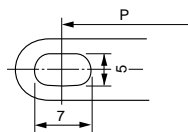
Specifications

Item	Performance Characteristics		
Category Temperature Range	- 40 to +85°C		
Rated Voltage Range	350 to 450V		
Rated Capacitance Range	820 to 22000μF		
Capacitance Tolerance	±20% (120Hz, 20°C)		
Leakage Current	After 5 minutes' application of rated voltage, leakage current is not more than $3\sqrt{CV}$ (μA) or 5 mA, whichever is smaller. (at 20°C) [C: Rated Capacitance(μF), V: Voltage (V)]		
Tangent of loss angle (tan δ)	0.25MAX. (120Hz, 20°C)		
Stability at Low Temperature	Rated voltage(V)	350 to 450	
	Impedance ratio ZT/Z20(MAX.)	Z - 40°C / Z+20°C 12	
Measurement frequency : 120Hz			
Insulation Resistance	The insulation resistance shall be more than 100MΩ at DC 500V application between terminal and bracket.		
Voltage proof	There is no abnormality during AC 2500V 1 minute's application between terminal and bracket.		
Endurance	The specifications listed at right shall be met when the capacitors are restored to 20°C after D.C. bias plus rated ripple current is applied for 2000 hours at 85°C, the peak voltage shall not exceed the rated voltage.	Capacitance change	Within ±20% of the initial capacitance value
		tan δ	300% or less than the initial specified value
		Leakage current	Less than or equal to the initial specified value
Shelf Life	After storing the capacitors under no load at 85°C for 1000 hours and then performing voltage treatment based on JIS C 5101-4 clause 4.1 at 20°C, they shall meet the requirements listed at right.	Capacitance change	Within ±20% of the initial capacitance value
		tan δ	300% or less than the initial specified value
		Leakage current	Less than or equal to the initial specified value
Marking	Printed with white color letter on black sleeve		

Drawing

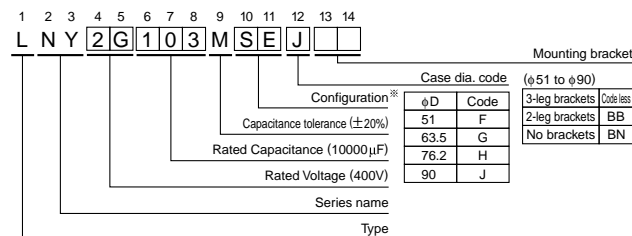


※ B
3-leg brackets for φ90 capacitors have different hole shapes from the ordinary ones illustrated below.



Note) The terminal bolts and mounting brackets will be delivered

Type numbering system (Example: 400V 10000μF)



※ Configuration

Cr (III) Plating (RoHS compliant)
SE

Resin bushing available upon request.

※ Please contact to us if PVC less products are required.

● Dimension of terminal pitch (W) and length (ℓ) and Nominal dia. of bolt (mm)

φD	W	ℓ	α	Nominal dia. of bolt
51	22.0	6	3	M5
63.5	28.6	6	3	M5
76.2	31.8	6	3	M5
90	31.8	6	3	M5

● Dimension of mounting bracket (mm)

Symbol	3-Leg				2-Leg			
	51	63.5	76.2	90	51	63.5	76.2	90
P	32.5	38.1	44.5	50.8	33.2	40.5	46.5	53
A	38.5	43	49.2	58.5	40	46.5	53	59
T	7.5	8.0	7.0	8.0	6.0	7.0	6.0	6.0
S	5.0	5.0	5.0	5.0	4.5	4.5	4.5	4.5
U	12	14	14	18	14	14	14	14
θ°	60	60	60	60	30	30	30	30
H	20	25	30	35	25	35	35	35
h	15	20	24	25	15	20	20	20

● Dimension table in next page.

CAT.8100Y



■ Dimensions

350V (2V)					
Cap. (μF)	Size φD × L (mm)	Rated ripple (Arms)	tan δ	Leakage Current (mA)	Code
1500	51×60	9.3	0.25	2.17	LN2V152MSEF
1800	51×70	10.0	0.25	2.38	LN2V182MSEF
2200	51×80	11.1	0.25	2.63	LN2V222MSEF
2700	51×90	12.2	0.25	2.92	LN2V272MSEF
	63.5×65	11.9	0.25	2.92	LN2V272MSEG
3300	51×105	13.8	0.25	3.22	LN2V332MSEF
	63.5×75	13.1	0.25	3.22	LN2V332MSEG
3900	51×130	14.8	0.25	3.50	LN2V392MSEF
	63.5×80	14.1	0.25	3.50	LN2V392MSEG
4700	51×140	15.9	0.25	3.85	LN2V472MSEF
	63.5×90	15.8	0.25	3.85	LN2V472MSEG
	76.2×70	15.7	0.25	3.85	LN2V472MSEH
5600	63.5×100	17.1	0.25	4.20	LN2V562MSEG
	76.2×85	17.0	0.25	4.20	LN2V562MSEH
6800	63.5×125	19.2	0.25	4.63	LN2V682MSEG
	76.2×95	18.8	0.25	4.63	LN2V682MSEH
8200	63.5×145	20.6	0.25	5.00	LN2V822MSEG
	76.2×105	20.2	0.25	5.00	LN2V822MSEH
10000	63.5×165	23.2	0.25	5.00	LN2V103MSEG
	76.2×125	23.5	0.25	5.00	LN2V103MSEH
	90×95	23.5	0.25	5.00	LN2V103MSEJ
12000	76.2×150	24.0	0.25	5.00	LN2V123MSEH
	90×110	24.1	0.25	5.00	LN2V123MSEJ
15000	76.2×190	28.0	0.25	5.00	LN2V153MSEH
	90×140	29.2	0.25	5.00	LN2V153MSEJ
18000	76.2×210	30.2	0.25	5.00	LN2V183MSEH
	90×140	31.1	0.25	5.00	LN2V183MSEJ
22000	90×190	35.4	0.25	5.00	LN2V223MSEJ

400V (2G)					
Cap. (μF)	Size φD × L (mm)	Rated ripple (Arms)	tan δ	Leakage Current (mA)	Code
1000	51×60	6.4	0.25	1.90	LN2G102MSEF
1200	51×65	7.1	0.25	2.08	LN2G122MSEF
1500	51×75	8.1	0.25	2.32	LN2G152MSEF
1800	51×85	8.7	0.25	2.55	LN2G182MSEF
	63.5×65	9.1	0.25	2.55	LN2G182MSEG
2200	51×95	9.6	0.25	2.81	LN2G222MSEF
	63.5×75	10.1	0.25	2.81	LN2G222MSEG
2700	51×115	10.5	0.25	3.12	LN2G272MSEF
	63.5×85	11.6	0.25	3.12	LN2G272MSEG
3300	51×145	12.4	0.25	3.45	LN2G332MSEF
	63.5×95	13.0	0.25	3.45	LN2G332MSEG
3900	51×170	13.8	0.25	3.75	LN2G392MSEF
	63.5×105	14.2	0.25	3.75	LN2G392MSEG
	76.2×85	14.6	0.25	3.75	LN2G392MSEH
4700	63.5×125	16.1	0.25	4.11	LN2G472MSEG
	76.2×95	16.2	0.25	4.11	LN2G472MSEH
5600	63.5×140	16.9	0.25	4.49	LN2G562MSEG
	76.2×105	17.6	0.25	4.49	LN2G562MSEH
6800	63.5×165	19.1	0.25	4.95	LN2G682MSEG
8200	63.5×210	21.2	0.25	5.00	LN2G822MSEG
	76.2×150	21.2	0.25	5.00	LN2G822MSEH
	90×120	21.0	0.25	5.00	LN2G822MSEJ
10000	76.2×170	22.4	0.25	5.00	LN2G103MSEH
	90×130	22.0	0.25	5.00	LN2G103MSEJ
12000	76.2×220	26.0	0.25	5.00	LN2G123MSEH
	90×155	26.0	0.25	5.00	LN2G123MSEJ
15000	90×190	28.3	0.25	5.00	LN2G153MSEJ
18000	90×230	30.6	0.25	5.00	LN2G183MSEJ

450V (2W)					
Cap. (μF)	Size φD × L (mm)	Rated ripple (Arms)	tan δ	Leakage Current (mA)	Code
820	51×60	4.9	0.25	1.82	LN2W821MSEF
1000	51×70	5.5	0.25	2.01	LN2W102MSEF
1200	51×75	6.0	0.25	2.20	LN2W122MSEF
1500	51×85	6.8	0.25	2.46	LN2W152MSEF
	63.5×65	7.9	0.25	2.46	LN2W152MSEG
1800	51×95	7.9	0.25	2.70	LN2W182MSEF
	63.5×75	8.9	0.25	2.70	LN2W182MSEG
2200	51×125	9.2	0.25	2.98	LN2W222MSEF
	63.5×85	9.8	0.25	2.98	LN2W222MSEG
2700	51×145	10.3	0.25	3.31	LN2W272MSEF
	63.5×90	10.8	0.25	3.31	LN2W272MSEG
3300	51×170	11.1	0.25	3.66	LN2W332MSEF
	63.5×105	12.0	0.25	3.66	LN2W332MSEG
	76.2×85	12.6	0.25	3.66	LN2W332MSEH
3900	63.5×125	13.5	0.25	3.97	LN2W392MSEG
	76.2×95	14.0	0.25	3.97	LN2W392MSEH
4700	63.5×145	15.2	0.25	4.36	LN2W472MSEG
	76.2×105	15.6	0.25	4.36	LN2W472MSEH
5600	63.5×165	17.0	0.25	4.76	LN2W562MSEG
	76.2×125	17.6	0.25	4.76	LN2W562MSEH
6800	63.5×210	19.1	0.25	5.00	LN2W682MSEG
	76.2×150	19.6	0.25	5.00	LN2W682MSEH
	90×120	19.5	0.25	5.00	LN2W682MSEJ
8200	76.2×170	20.1	0.25	5.00	LN2W822MSEH
	90×130	20.1	0.25	5.00	LN2W822MSEJ
10000	76.2×210	23.0	0.25	5.00	LN2W103MSEH
	90×155	22.9	0.25	5.00	LN2W103MSEJ
12000	90×190	26.0	0.25	5.00	LN2W123MSEJ
15000	90×220	29.6	0.25	5.00	LN2W153MSEJ

● Frequency coefficient of rated ripple current

Frequency (Hz)	50	60	120	300	1k	10k or more
Coefficient	0.80	0.82	1.00	1.10	1.30	1.40

Rated ripple current (Arms) at 85°C 120Hz