

**Pressure:** Vacuum to 60 psi, 4.2 bar (see graph)

**Temperature:** 32° F to 160° F  
0° C to 71° C

**Materials:**

**Main components and valves:** Polypropylene

**Thumb latch:** Polypropylene

**Valve spring:** 316 stainless steel

**Panel mount gasket:** EPDM

**External springs:** 316 stainless steel

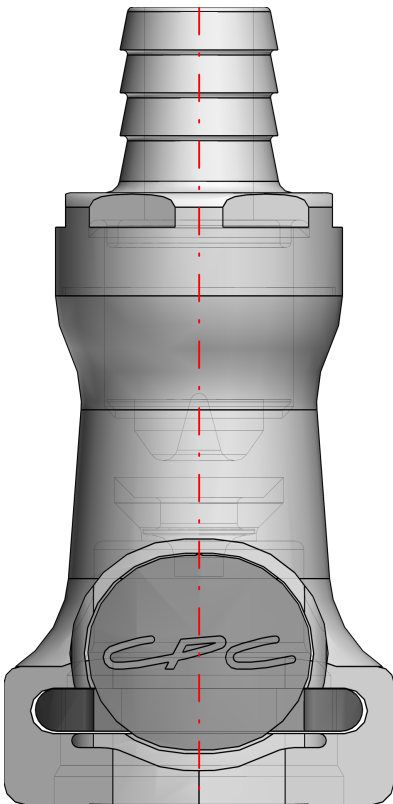
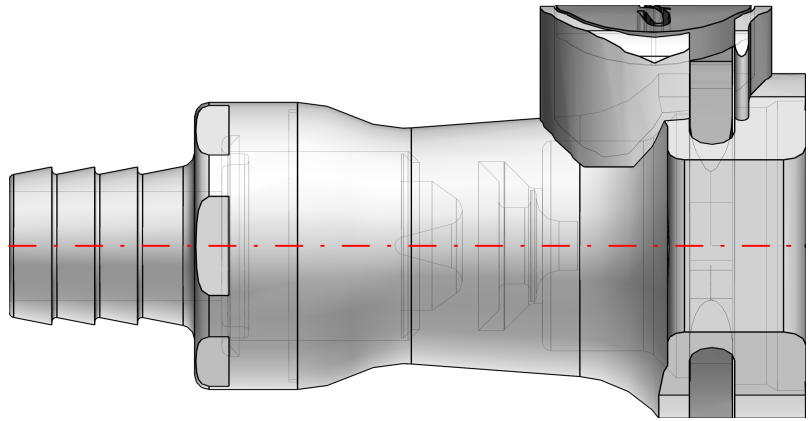
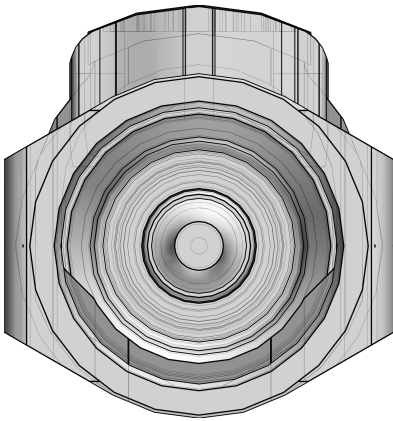
**O-rings:** EPDM

**Compression nut, gripper, ferrule:** Polypropylene

**Color:** Light gray with charcoal gray latch

**Tubing Range:** 3/8" to 3/4"  
9.5mm to 19mm

**Compression Termination:** Tubing specifications 3/8" OD or  
1/2" OD +0.010/-0.000





### In-Line - Hose Barb

HFC17612, HFC17812, HFC171012, HFC171212

## PDF DATASHEET

© 1992-2015 CADENAS GmbH

Last Modification (geometry): 10/08/2007 00:00

Datasheet creation date: 25/08/2015 12:30

<b>PN (Part No.)</b>	HFC17812
<b>VN (Valved/Non-Valved)</b>	Shutoff
<b>ID (Tubing Size ID / INCH)</b>	1/2
<b>IDM (Tubing Size ID / mm)</b>	12.7



## In-Line - Hose Barb

HFC17612, HFC17812, HFC171012, HFC171212

# PDF DATASHEET

© 1992-2015 CADENAS GmbH

Last Modification (geometry): 10/08/2007 00:00

Datasheet creation date: 25/08/2015 12:30

### Bill of material

N°	Description	Amount
1	HFC17812	1