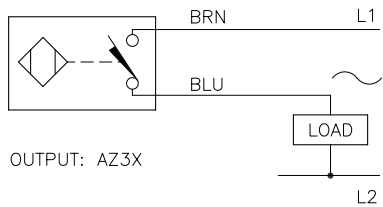
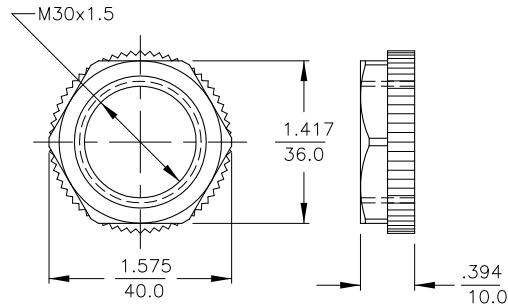


### WIRING DIAGRAMS



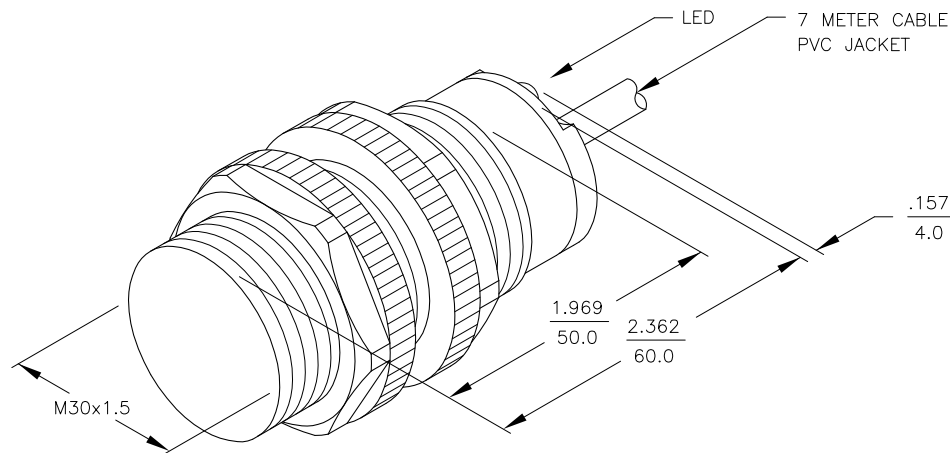
WARNING: NO SHORT-CIRCUIT PROTECTION  
ALWAYS WIRE A LOAD IN SERIES WITH THE SENSOR.

### LOCKNUT LN-P30



### SPECIFICATIONS

OPERATING VOLTAGE	20-250 VAC/DC
LINE FREQUENCY	40-60 Hz
DIFFERENTIAL TRAVEL (HYSTERESIS)	3-15% (5% TYPICAL)
VOLTAGE DROP ACROSS CONDUCTING SENSOR	≤ 7.0 V at 500 mA
OUTPUT FUNCTION -AZ	NORMALLY OPEN 2-WIRE AC SELF-CONTAINED
SHORT-CIRCUIT PROTECTED	NO
CONTINUOUS LOAD CURRENT	≤ 500 mA
LEAKAGE (OFF-STATE) CURRENT	≤ 1.7 mA
MINIMUM LOAD CURRENT	≥ 5.0 mA
INRUSH CURRENT	≤ 8.0 A (≤ 10 ms/5 Hz)
TIME DELAY BEFORE AVAILABILITY	≤ 25 ms
POWER-ON EFFECT PROTECTION	INCORPORATED
PROTECTION AGAINST TRANSIENTS	5 kV, 10 ms, 10 kΩ
OPERATING TEMPERATURE	-25°C to +70°C (-13°F to +158°F)
ENCLOSURE	MEETS NEMA 1, 3, 4, 6, 13 AND IEC IP67
SHOCK	30 g, 11 ms
VIBRATION	55 Hz, 1 mm AMPLITUDE (IN ALL 3 PLANES)
LED FUNCTION	RED: OUTPUT ENERGIZED
SENSING RANGE	10 mm = .394" (NOMINAL)
SWITCHING FREQUENCY	20 Hz
REPEATABILITY	≤ 2% of NOMINAL SENSING RANGE
SHIELDED	YES



RELATED DOCUMENTS 1. 2. 3. 4.	3RD ANGLE PROJECTION 	THIS DRAWING IS PROPERTY OF TURCK INC. USE OF THIS DOCUMENT WITHOUT WRITTEN PERMISSION IS PROHIBITED.		3000 CAMPUS DRIVE MINNEAPOLIS, MN 55441 1-800-544-7769 (763) 553-7300 (763) 553-0708 fax turck.com	
	MATERIAL PA 12-GF30 PLASTIC BARREL	ALL DIMENSIONS DISPLAYED ON THIS DRAWING ARE FOR REFERENCE ONLY  CONTACT TURCK FOR MORE INFORMATION	DRFT GMB DATE 10/31/88	DESCRIPTION Bi10-S30-AZ3X 7M	
FINISH	DSGN SCALE NONE		UNIT OF MEASUREMENT <b>INCH [ MILLIMETER ]</b>		IDENTIFICATION NO. T4355497
C UPDATE OPERATING VOLTAGE, SEE ECO	RWC 08/09/07 18320	DO NOT SCALE THIS DRAWING		FILE: T4355497	SHEET 1 OF 1
REV DESCRIPTION	BY DATE ECO NO.				

C	UPDATE OPERATING VOLTAGE, SEE ECO	RWC	08/09/07	18320
REV	DESCRIPTION	BY	DATE	ECO NO.