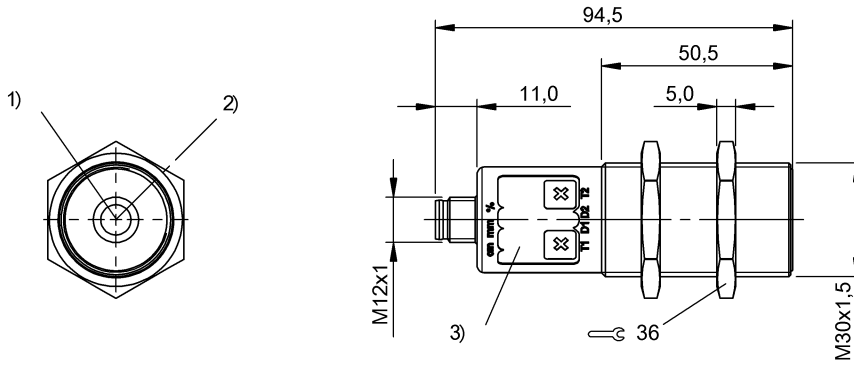


BUS M30M1-XC-03/025-S92K
Ordering code: BUS002N

Ultrasonic sensor
M30

Connector, M12x1-S92
Working range 30...350 mm
0...10 V / 4...20 mA

BALLUFF
sensors worldwide



Characteristic data

Design
Short-circuit protected
Protected against polarity reversal
Setting

Cylinder, converter, straight
yes
yes
Analog output U/I/Auto, Characteristic curve window, Detection range (3 levels), Factory setting (reset), Filter strength (10 levels), Foreground suppression range, Hysteresis, Key disable on/off, Measured value filter, Mode, Multiplex sensor address, Multiplex speed, NO/NC, Output curve rise/fall, Response delay 0 to 20 s, Segment displ. bright/dark/off, Segment display mode, Sensor calibration, Switching distance, 2 values, Synchronization on/off, Synchronous/Multiplex mode, Teach-in mode display/button, Temperature comp. on/off

Rated operating voltage Ue DC
Analogue output
Output characteristic
Response time max.
Ultrasonic frequency
Synchronisation

24.0 V
Analog U/I
Linear rising/falling
32 ms
320 kHz
internal, max. 10 sensors

Mechanical data

Resolution
Connector type
Sensing surface material
Housing material
Resolution
Repeat accuracy
Operating temperature min.
Operating temperature max.
Cover material
Range min.
Range max.
Temperature compensation

0,025 mm
M12x1-S92
PU foam, epoxy resin, glass
Brass, PBT, TPU
0,025 mm
±0.15 %
-25 °C
+70 °C
PBT
30 mm
350 mm
yes, can be disengaged

Electrical data

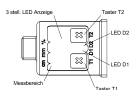
Operating voltage

9...30 V DC

Basic data

Enclosure Type per IEC 60529

IP67



Internet
Balluff Germany
Balluff USA
Balluff China

: www.balluff.com
: +49 (0) 7158 173-0, 173-370
: 1-800-543-8390
: +86 (0) 21-50 644131

1 (2)
Print date: 25.10.2013
Selection date: 25.10.2013

BUS M30M1-XC-03/025-S92K
Ordering code: BUS002N

Ultrasonic sensor
M30

Connector, M12x1-S92
Working range 30...350 mm
0...10 V / 4...20 mA

BALLUFF
sensors worldwide

