

Cap type : G53

Bulb type : AR111 Dark Silver RAL9023

LED type : 1x Cree MC-E

**ELECTRICAL DATA:**

		NOMINAL	MIN.	MAX.
Lamp rated wattage	(W) :	11	9.4	12.7
Lamp operating voltage	(V) :	12	UC	UC
Lamp current	(mA) :	1200		
Power factor	(λ) :	0.76	0.66	0.86

**PHOTOMETRIC DATA:**

		NOMINAL	MIN.	MAX.
Beam Angle	(°) :	8	6	10
Luminous Intensity	(cd) :	13000	9750	
Luminous Flux - Total	(lm) :	300		
Luminous Flux - 90° cone	(lm) :	290	261	
Luminous Efficacy Total	(lm/W) :	27		
Luminous Efficacy 90° cone	(lm/W) :	26		
Colour Temperature	(K) :	2700		
Colour Rendering Index	(Ra) :	80	77	86
Chromaticity Point	(CCx) :	0.460	Within 5 step MacAdam Ellipse	
	(CCy) :	0.411	Within 5 step MacAdam Ellipse	

**OPERATING CONDITIONS:**

		NOMINAL	MIN.	MAX.
Burning position	:	Universal		
Ballast	:	Integrated electronic driver		
Ambient temperature limit (°C)	:	25	UC	UC
Typical lamp temperature (°C)	:	UC	-	UC

**LAMP LIFE :**

Rated average life	(h) :	25,000
--------------------	-------	--------

**APPLICATION:** General indoor lighting. Not suitable for dimmers / electronic timers / PIR detectors. Not suitable for use with AC halogen electronic transformers.

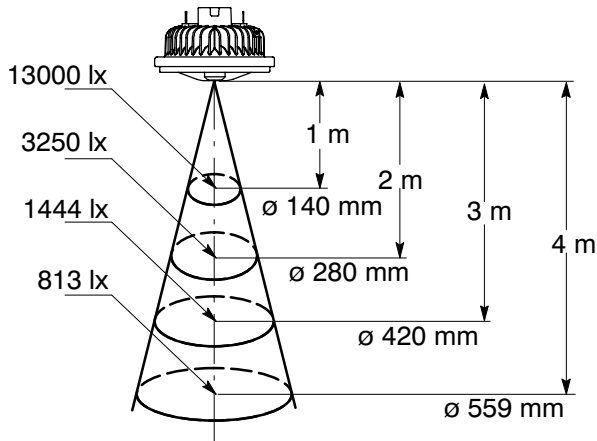
Issued by : R&D TIENEN  
Date : 24.06.2011  
Revision date : 22.11.2011

## DATA SHEET

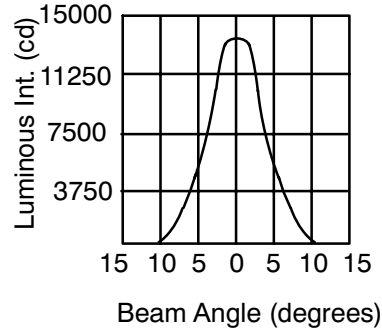
Specification No. : 70-R36-0026315/C  
Supersedes : 70-R36-0026315/B  
Page 1 of 2



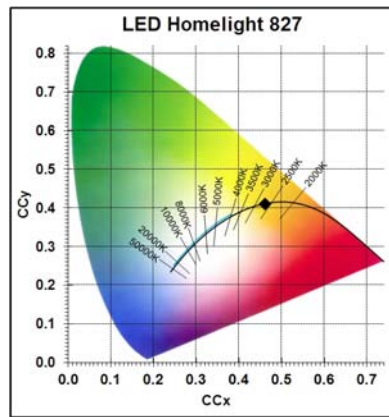
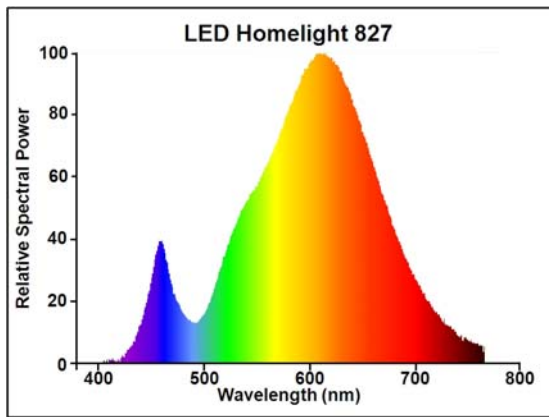
**BEAM DISTRIBUTION:**



**NARROW SPOT 8°**



**COLORIMETRIC DATA:**



Issued by : R&D TIENEN  
Date : 24.06.2011  
Revision date : 22.11.2011

**DATA SHEET**

Specification No. : 70-R36-0026315/C  
Supersedes : 70-R36-0026315/B  
Page 2 of 2