

**Ordering number FA10662_LXP-REC**

Family	Leila	FWHM	(simulated) 38+23
Type	Assembly	Efficiency	80 %
LED	Z5	cd/lm	-
Color	Black	Gerber File	Available
Diameter	21.6 mm		
Height	14.6 mm		
Style	Round		
Optic Material	PMMA		
Holder Material	PC		
Fastening	Tape		
Status	Ready		

**Ordering number FA11450_LXP-M2**

Family	Leila	FWHM	(simulated) 28
Type	Assembly	Efficiency	(simulated) 0 %
LED	Z5	cd/lm	-
Color	Black	Gerber File	Available
Diameter	21.6 mm		
Height	14.65 mm		
Style	Round		
Optic Material	PMMA		
Holder Material	PC		
Fastening	Tape		
Status	Ready		

**Ordering number FA11739_LXP-RS2**

Family	Leila	FWHM	(simulated) 8
Type	Assembly	Efficiency	(simulated) 0 %
LED	Z5	cd/lm	-
Color	Black	Gerber File	Available
Diameter	21.6 mm		
Height	14.6 mm		
Style	Round		
Optic Material	PMMA		
Holder Material	PC		
Fastening	Tape		
Status	Ready		

**Ordering number FA10661_LXP-RS**

Family	Leila	FWHM	10 degrees
Type	Assembly	Efficiency	(simulated) 0 %
LED	Z5	cd/lm	-
Color	Black	Gerber File	Available
Diameter	21.6 mm		
Height	14.6 mm		
Style	Round		
Optic Material	PMMA		
Holder Material	PC		
Fastening	Tape		
Status	Ready		

**Ordering number FA10663_LXP-D**

Family	Leila	FWHM	11 degrees
Type	Assembly	Efficiency	(simulated) 0 %
LED	Z5	cd/lm	-
Color	Black	Gerber File	Available
Diameter	21.6 mm		
Height	14.6 mm		
Style	Round		
Optic Material	PMMA		
Holder Material	PC		
Fastening	Tape		
Status	Ready		

**Ordering number FA10660_LXP-M**

Family	Leila	FWHM	18 degrees
Type	Assembly	Efficiency	(simulated) 0 %
LED	Z5	cd/lm	-
Color	Black	Gerber File	Available
Diameter	21.6 mm		
Height	14.6 mm		
Style	Round		
Optic Material	PMMA		
Holder Material	PC		
Fastening	Tape		
Status	Ready		

**Ordering number FA11116_LXP-O-90**

Family	Leila	FWHM	38+21 degrees
Type	Assembly	Efficiency	(simulated) 0 %
LED	Z5	cd/lm	-
Color	Black	Gerber File	Available
Diameter	21.6 mm		
Height	14.6 mm		
Style	Round		
Optic Material	PMMA		
Holder Material	PC		
Fastening	Tape		
Status	Ready		

**Ordering number FA10832_LXP-W**

Family	Leila	FWHM	44 degrees
Type	Assembly	Efficiency	(simulated) 0 %
LED	Z5	cd/lm	-
Color	Black	Gerber File	Available
Diameter	21.6 mm		
Height	14.6 mm		
Style	Round		
Optic Material	PMMA		
Holder Material	PC		
Fastening	Tape		
Status	Ready		



PRODUCT DATASHEET

Leila series

last update 23/5/2012



NOTE: The typical divergence will be changed by different color, chip size and chip position tolerance. The typical total divergence is the full angle measured where the luminous intensity is half of the peak value.



PRODUCT DATASHEET

Leila series

last update 23/5/2012



GENERAL INFORMATION

- Product series especially designed & optimized for Z5 series of LEDs.
- Special care taken to make light distribution as uniform as possible.
- Lens material optical grade PMMA with high UV and temperature resistance. Allows use of high current and temperature conditions.

Please find more information about used material from below:

http://ledil.fi/sites/default/files/Documents/Technical/Material/PMMA%20N%20UL94_Yellow%20Card.pdf

<http://ledil.fi/sites/default/files/Documents/Technical/Material/PMMA%20N%20PLEXIGLAS-Datasheet.pdf>

- Optic holder molded by high quality PC material (120 degrees of Celcius / 248 degrees of Fahrenheit).

- Fastening to heat sink with a PU foam adhesive tape of automotive grade. Please find fastening details by clicking link: http://www.ledil.com/datasheets/DataSheet_TAPE.pdf

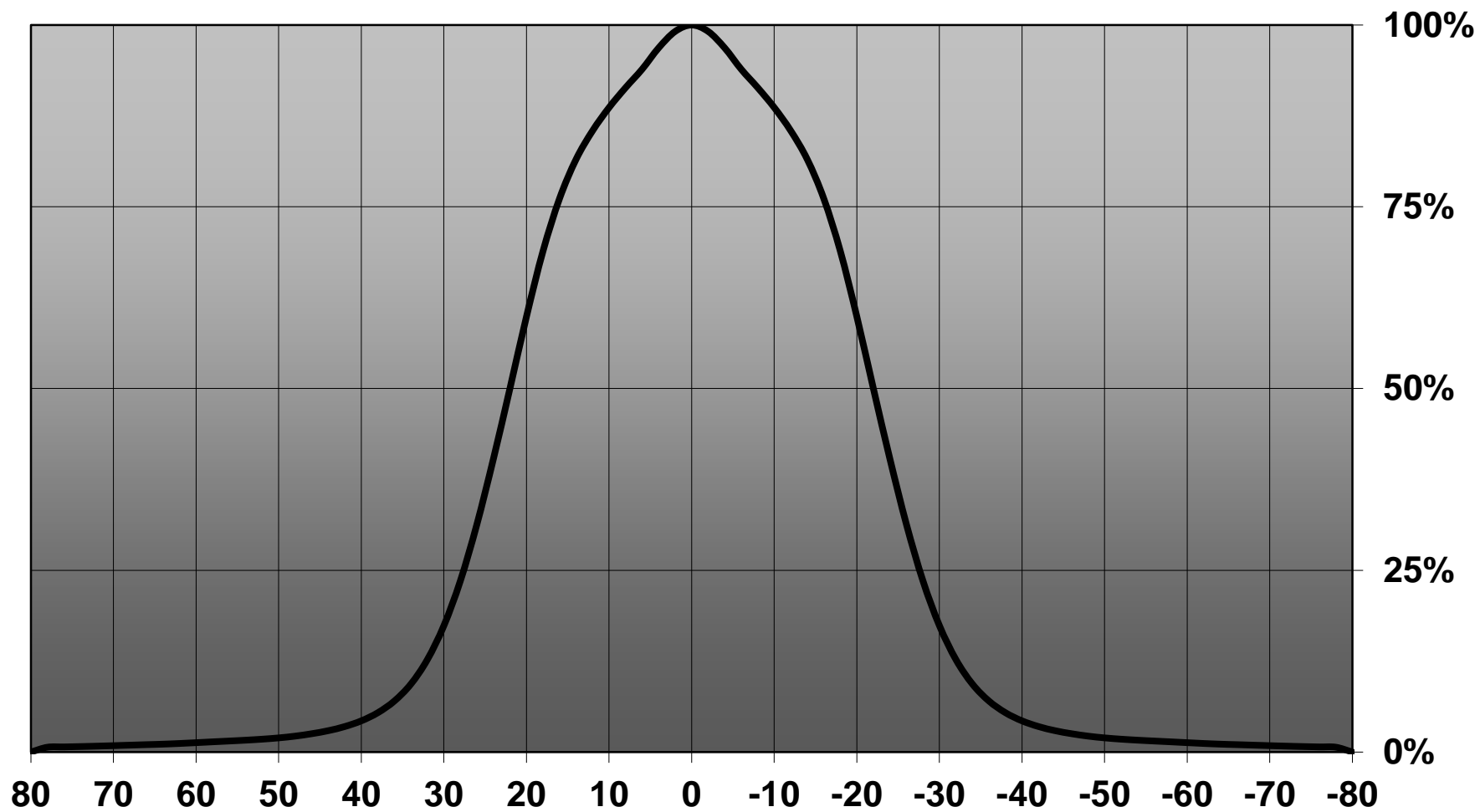
NOTE 1: We advise customer to ensure the suitability and sufficiency of the bond in the end product. For example, mechanical stress, vibration and holes on the surface of the circuit board weaken the strength of the tape.

NOTE 2: Assembly to the surface must be made straight, so the tape bonds constant and balanced with fastening surface. Slanted assembly might cause unbalanced bond to the surface. All surfaces where tape is applied must be clean, dry and free from grease and dirt.

If cleaning of PCB surfaces is needed, please follow strictly the cleaning instructions of your LED manufacturer - this is important as cleaning shall under no circumstances damage LEDs or other electronics components on the PCB.

Further note that optical components shall not be cleaned with any chemicals - only micro fiber cloth may be used to remove fingerprints or other traces from handling.

Relative intensity of FA10832_LZ5-W



D

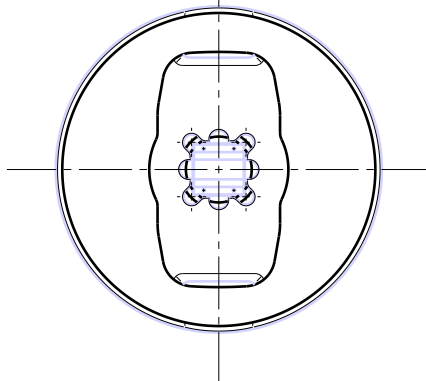
C

B

A

4

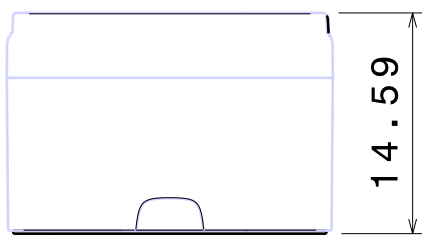
4



Bottom view

3

3

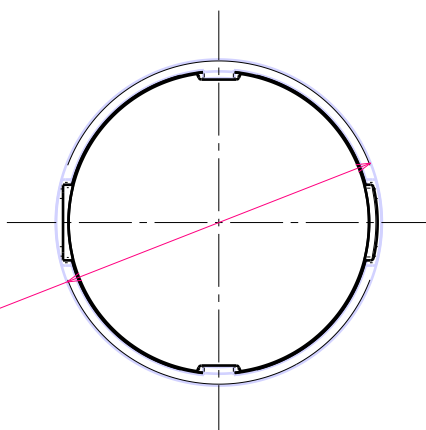


Side view

Tape 0,2mm

2

2



Top view

MATERIALS

Lens: PMMA

Holder: PC

Tape: PU Foam

This drawing is our property.
It can't be reproduced
or communicated without
our written agreement.



Ledil Oy
Tehdaskatu 13
FIN-24100 SALO
Finland

DRAWING TITLE

Datasheet Leila LXP-Series assy

DRAWN BY

pv

DATE

15.02.2010

CHECKED BY

tk

DATE

23.11.2009

SIZE

A4

DRAWING NUMBER

REV

2

DESIGNED BY

HH

DATE

23.11.2009

SCALE

2:1

WEIGHT (g)

-

SHEET

1/1

D

A

1

1