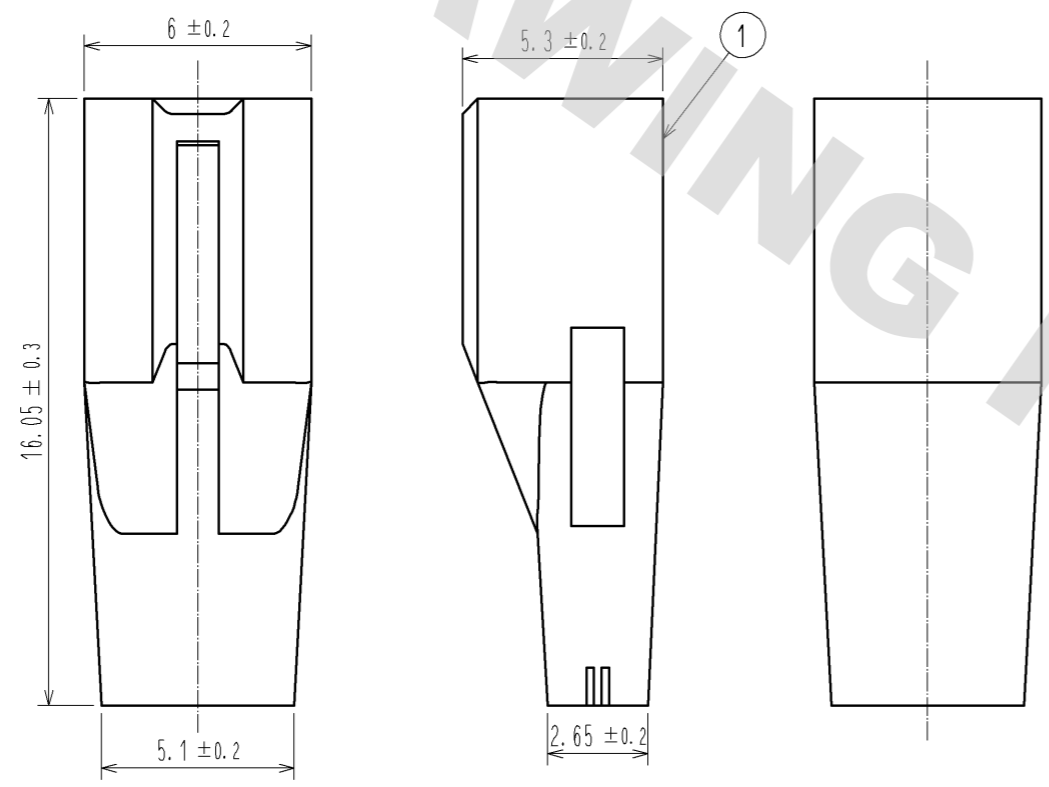
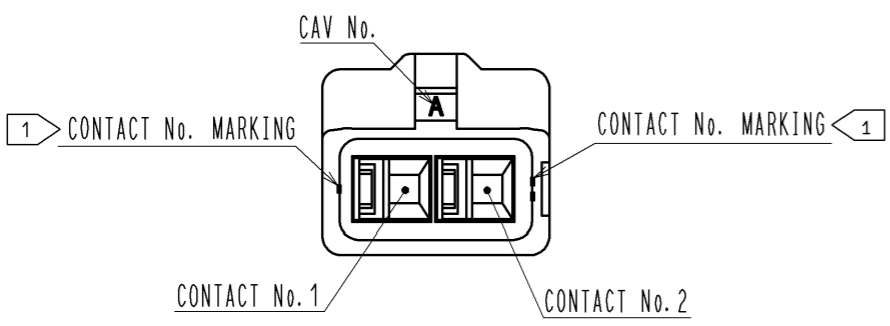
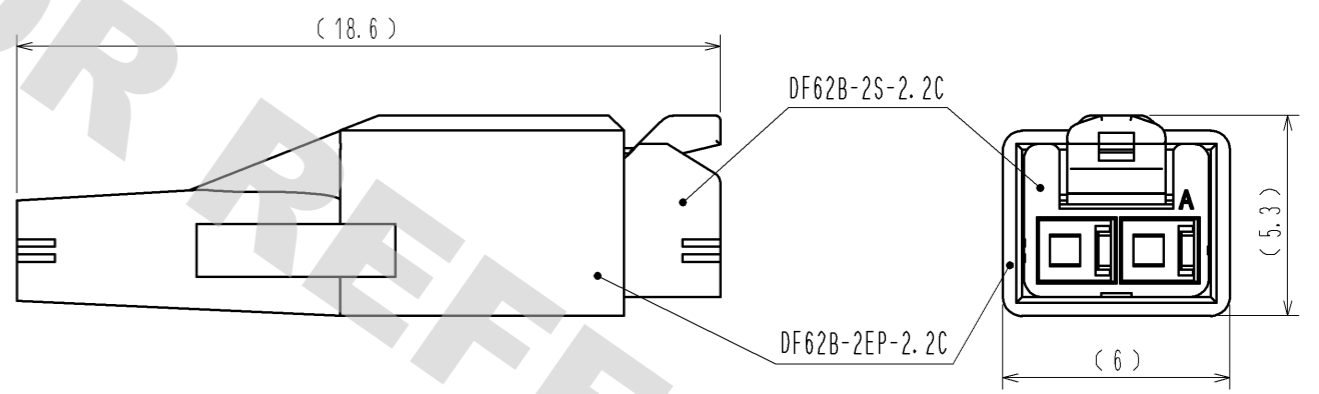


DRAWING FOR REFERENCE: This is subject to change without notice
12/05/2013

① FIGURE-1 CONTACT No. MARKING (10:1)



MATING FIGURE



NOTE. ① MARKINGS AT THE INDICATED POSITIONS ARE CONTACT NO. MARKING. AND SHAPES ARE SHOWN IN FIGURE-1.
2. PER PACK : 100 PIECES.
3. THE DIMENSIONS IN PARENTHESIS ARE FOR REFERENCE.

NO.	MATERIAL	FINISH . REMARKS	1	PBT	UL94V-0 (BLACK)
UNITS	mm	SCALE	5 : 1	COUNT	△
DESCRIPTION OF REVISIONS			DESIGNED	CHECKED	DATE
APPROVED : KI. AKIYAMA			13.06.06	DRAWING NO. EDC3-351963-00	
CHECED : MN. KENJO			13.06.06	PART NO. DF62B-2EP-2.2C	
DESIGNED : TH. YOSHIKAWA			13.06.06	CODE NO. CL544-0558-9-00	
DRAWN : TH. YOSHIKAWA			13.06.06	△ 1/1	