

Printed-circuit board connector - DMC 1,5/14-G1-3,5 P20THR - 1786950

Please be informed that the data shown in this PDF Document is generated from our Online Catalog. Please find the complete data in the user's documentation. Our General Terms of Use for Downloads are valid (<http://phoenixcontact.com/download>)

Header, Nominal current: 8 A, Rated voltage (III/2): 160 V, Number of positions: 14, Pitch: 3.5 mm, Color: black, Contact surface: Tin, Mounting: SMD/THT/THR




The figure shows a 10-pos. version with 20 contacts

Why buy this product

- Taped headers available on request
- Headers with flange can be combined with plugs with screw flange or with Lock & Release levers
- At 8 mm, the distance from the edge of the PCB to the first row of holes is compatible with MC headers
- Extremely small THR double-level headers for SMT and wave soldering processes



Key commercial data

| | |
|--------------------------------------|---|
| Packing unit | 50 pc |
| GTIN |  4 046356 595186 |
| Weight per Piece (excluding packing) | 7.37 g |
| Custom tariff number | 85366990 |
| Country of origin | Germany |
| Note | Made to Order (non-returnable) |

Technical data

Dimensions

| | |
|----------------|--------------|
| Length | 11.6 mm |
| Height | 12.8 mm |
| Pitch | 3.5 mm |
| Dimension a | 45.5 mm |
| Pin dimensions | 0,8 x 0,8 mm |
| Pin spacing | 2.50 mm |
| Hole diameter | 1.4 mm |

General

| | |
|-------------------|--------------------|
| Range of articles | DMC 1,5/...-G1-THR |
|-------------------|--------------------|

Printed-circuit board connector - DMC 1,5/14-G1-3,5 P20THR - 1786950

Technical data

General

| | |
|---|--------|
| Insulating material group | IIIa |
| Rated surge voltage (III/3) | 2.5 kV |
| Rated surge voltage (III/2) | 2.5 kV |
| Rated surge voltage (II/2) | 2.5 kV |
| Rated voltage (III/3) | 160 V |
| Rated voltage (III/2) | 160 V |
| Rated voltage (II/2) | 250 V |
| Connection in acc. with standard | EN-VDE |
| Nominal current I_N | 8 A |
| Maximum load current | 8 A |
| Insulating material | LCP |
| Inflammability class according to UL 94 | V0 |
| Color | black |
| Number of positions | 14 |

Classifications

eCl@ss

| | |
|------------|----------|
| eCl@ss 4.0 | 272607xx |
| eCl@ss 4.1 | 27260701 |
| eCl@ss 5.0 | 27260701 |
| eCl@ss 5.1 | 27260701 |
| eCl@ss 6.0 | 27260704 |
| eCl@ss 7.0 | 27440402 |
| eCl@ss 8.0 | 27440402 |

ETIM

| | |
|----------|----------|
| ETIM 4.0 | EC002637 |
| ETIM 5.0 | EC002637 |

UNSPSC

| | |
|---------------|----------|
| UNSPSC 6.01 | 30211810 |
| UNSPSC 7.0901 | 39121409 |
| UNSPSC 11 | 39121409 |
| UNSPSC 12.01 | 39121409 |
| UNSPSC 13.2 | 39121409 |

Approvals

Approvals

Printed-circuit board connector - DMC 1,5/14-G1-3,5 P20THR - 1786950

Approvals

Approvals

UL Recognized / cUL Recognized / VDE Gutachten mit Fertigungsüberwachung / IEC60335-1 CB Scheme / cULus Recognized

Ex Approvals

Approvals submitted

Approval details

| | | |
|--------------------|-------|------|
| UL Recognized | | |
| | B | C |
| Nominal current IN | 8 A | 8 A |
| Nominal voltage UN | 150 V | 50 V |

| | | |
|--------------------|-------|------|
| cUL Recognized | | |
| | B | C |
| Nominal current IN | 8 A | 8 A |
| Nominal voltage UN | 150 V | 50 V |

| | |
|---|-------|
| VDE Gutachten mit Fertigungsüberwachung | |
| Nominal current IN | 8 A |
| Nominal voltage UN | 160 V |

| | |
|----------------------|-------|
| IEC60335-1 CB Scheme | |
| Nominal current IN | 8 A |
| Nominal voltage UN | 160 V |

| | |
|------------------|--|
| cULus Recognized | |
|------------------|--|

Printed-circuit board connector - DMC 1,5/14-G1-3,5 P20THR - 1786950

Accessories

Accessories

Coding element

Coding profile - CP-DMC 1,5 NAT - 1790647

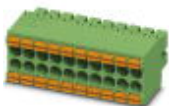
Coding profile, for plugging into the coding ribs of the plug or header at a later date, insulating material, color: natural



Additional products

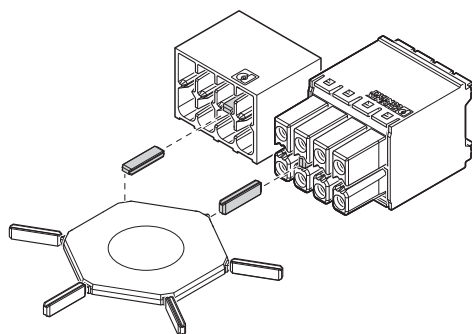
Printed-circuit board connector - DFMC 1,5/14-ST-3,5 - 1790221

Plug, nominal current: 8 A, rated voltage (III/2): 160 V, number of positions: 14 with 28 contacts, pitch: 3.5 mm, connection method: spring-cage connection, color: green, contact surface: tin

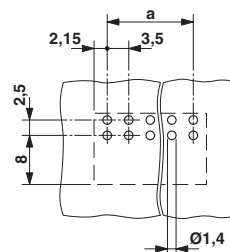


Drawings

Schematic diagram

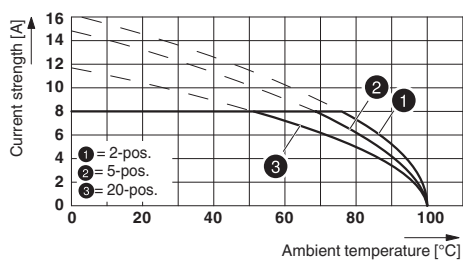


Drilling diagram



Use of the CP-DMC... coding profile

Diagram



Dimensioned drawing

