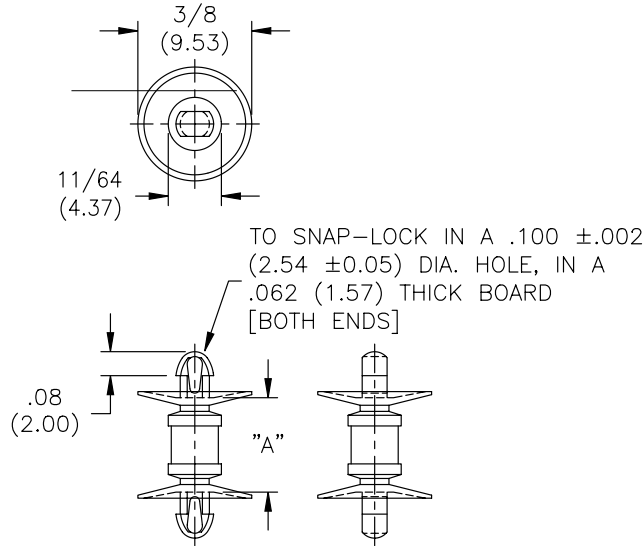
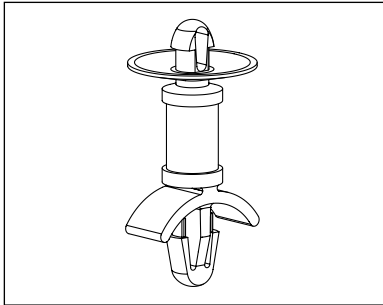


CDLCBST Series Cupped Dual Locking Circuit Board Support, Teardrop

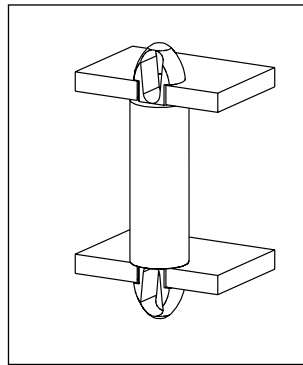
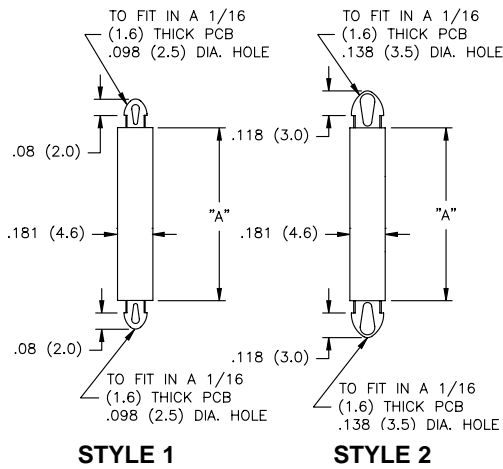


Material: Nylon 6/6, RMS-01
Color: Natural

| Part No. | Standard Pack: |
|---------------|----------------|
| | 1000 per bag |
| CDLCBST-3-01 | 3/16 (4.8) |
| CDLCBST-4-01 | 1/4 (6.4) |
| CDLCBST-5-01 | 5/16 (7.9) |
| CDLCBST-6-01 | 3/8 (9.5) |
| CDLCBST-7-01 | 7/16 (11.1) |
| CDLCBST-8-01 | 1/2 (12.7) |
| CDLCBST-9-01 | 9/16 (14.3) |
| CDLCBST-10-01 | 5/8 (15.9) |

Part available in V-0 material by special order. To order, replace -01 with -19.

MDLSP1 and MDLSP2 Mini Dual Locking Support Post



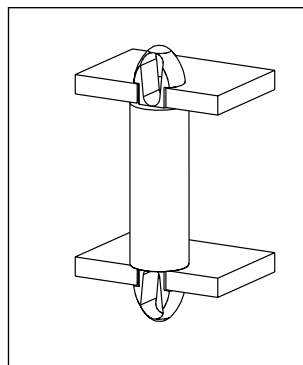
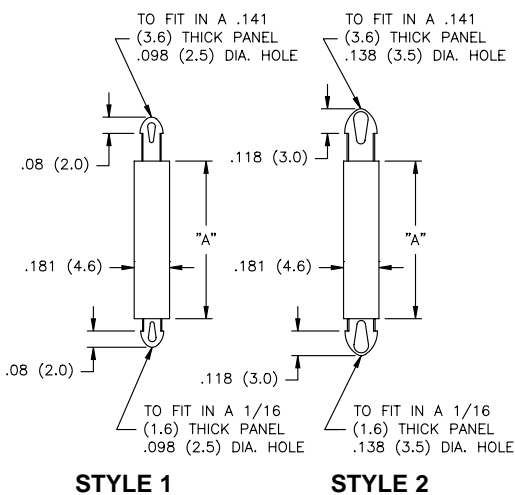
Typical Application

Material: Nylon 6/6, RMS-01
Color: Natural

| Style 1 Part No. | Style 2 Part No. | Standard Pack: |
|----------------------|----------------------|----------------|
| .098 (2.5) Dia. Hole | .138 (3.5) Dia. Hole | "A" ± 0.4 mm |
| MDLSP1-02M-01 | MDLSP2-02M-01 | 2.0 mm |
| MDLSP1-04M-01 | MDLSP2-04M-01 | 4.0 mm |
| MDLSP1-05M-01 | MDLSP2-05M-01 | 5.0 mm |
| MDLSP1-06M-01 | MDLSP2-06M-01 | 6.0 mm |
| MDLSP1-08M-01 | MDLSP2-08M-01 | 8.0 mm |
| MDLSP1-10M-01 | MDLSP2-10M-01 | 10.0 mm |
| MDLSP1-12M-01 | MDLSP2-12M-01 | 12.0 mm |
| MDLSP1-14M-01 | MDLSP2-14M-01 | 14.0 mm |
| MDLSP1-16M-01 | MDLSP2-16M-01 | 16.0 mm |
| MDLSP1-18M-01 | MDLSP2-18M-01 | 18.0 mm |
| MDLSP1-20M-01 | MDLSP2-20M-01 | 20.0 mm |
| MDLSP1-22M-01 | MDLSP2-22M-01 | 22.0 mm |

Part available in V-0 material by special order. To order, replace -01 with -19.

MDLSPK1 and MDLSPK2 Series Mini Dual Locking Support Posts for Keypads



Typical Application

Material: Nylon 6/6, RMS-01
Color: Natural

| Style 1 Part No. | Style 2 Part No. | Standard Pack: |
|----------------------|----------------------|----------------|
| .098 (2.5) Dia. Hole | .138 (3.5) Dia. Hole | "A" ± 0.4 mm |
| MDLSPK1-02M-01 | MDLSPK2-02M-01 | 2.0 mm |
| MDLSPK1-04M-01 | MDLSPK2-04M-01 | 4.0 mm |
| MDLSPK1-06M-01 | MDLSPK2-06M-01 | 6.0 mm |
| MDLSPK1-08M-01 | MDLSPK2-08M-01 | 8.0 mm |
| MDLSPK1-10M-01 | MDLSPK2-10M-01 | 10.0 mm |
| MDLSPK1-12M-01 | MDLSPK2-12M-01 | 12.0 mm |
| MDLSPK1-14M-01 | MDLSPK2-14M-01 | 14.0 mm |
| MDLSPK1-16M-01 | MDLSPK2-16M-01 | 16.0 mm |
| MDLSPK1-18M-01 | MDLSPK2-18M-01 | 18.0 mm |
| MDLSPK1-20M-01 | MDLSPK2-20M-01 | 20.0 mm |
| MDLSPK1-22M-01 | MDLSPK2-22M-01 | 22.0 mm |

Part available in V-0 material by special order. To order, replace -01 with -19.