



ENGLISH

# Datasheet

## RS Pro Yoke Track Roller 32mm

RS Stock No: 471-308



### Specifications:

Yoke Type Track Roller

Suitable for use as eccentric rollers, guide rollers, rocker valve rollers, cam rollers in slideways or pressure rollers

Will also fit user's stud variations

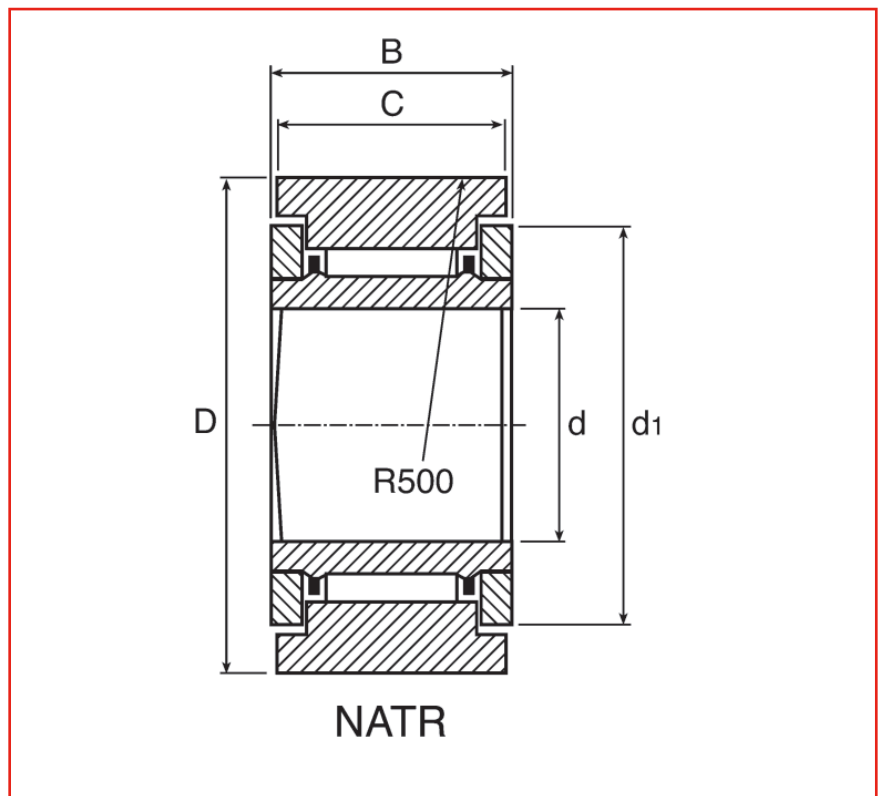
Crown ground outside diameter,  $r = 500\text{mm}$

Operating temperature  $-30^{\circ}\text{C}$  to  $+100^{\circ}\text{C}$

Order Code	Manufacturers Code	Description
471-308	12-200-005	Yoke Track Roller

# Datasheet

## RS Pro Yoke Track Roller 32mm



### Dimensions:

d (mm)	D (mm)	B (mm)	C (mm)	d1 (m)
12	32	15	14	25