

Printed-circuit board connector - TPC 16/ 9-ST-10,16 - 1715248

Please be informed that the data shown in this PDF Document is generated from our Online Catalog. Please find the complete data in the user's documentation. Our General Terms of Use for Downloads are valid (<http://phoenixcontact.com/download>)



Plug component, Nominal current: 76 A, Rated voltage (III/2): 1000 V, Number of positions: 9, Pitch: 10.16 mm, Connection method: Screw connection, Color: green, Contact surface: Silver


The figure shows a 5-pos. version of the product

Why buy this product

- ✓ Plug with double connection and a current carrying capacity of 76 A
- ✓ Simple potential distribution by means of two terminal points per contact
- ✓ Unlimited 600 V UL approval
- ✓ Maximum contact reliability due to integrated double steel spring
- ✓ CP-PC RD coding profile



Key commercial data

| | |
|--------------------------------------|---|
| Packing unit | 20 pc |
| Minimum order quantity | 20 pc |
| GTIN |  4 046356 103312 |
| Weight per Piece (excluding packing) | 198.77 g |
| Custom tariff number | 85366990 |
| Country of origin | Germany |
| Note | Made to Order (non-returnable) |

Technical data

Dimensions

| | |
|-------------|----------|
| Pitch | 10.16 mm |
| Dimension a | 81.28 mm |

General

| | |
|-----------------------------|--------------|
| Range of articles | TPC 16/..-ST |
| Insulating material group | I |
| Rated surge voltage (III/3) | 8 kV |
| Rated surge voltage (III/2) | 8 kV |

Printed-circuit board connector - TPC 16/ 9-ST-10,16 - 1715248

Technical data

General

| | |
|---|--------------------|
| Rated surge voltage (II/2) | 6 kV |
| Rated voltage (III/3) | 1000 V |
| Rated voltage (III/2) | 1000 V |
| Rated voltage (II/2) | 1000 V |
| Connection in acc. with standard | EN-VDE |
| Nominal current I _N | 76 A |
| Nominal cross section | 16 mm ² |
| Maximum load current | 76 A |
| Insulating material | PA |
| Inflammability class according to UL 94 | V0 |
| Internal cylindrical gage | A6 |
| Stripping length | 18 mm |
| Number of positions | 9 |
| Screw thread | M4 |
| Tightening torque, min | 1.7 Nm |
| Tightening torque max | 1.8 Nm |

Connection data

| | |
|---|--|
| Conductor cross section solid min. | 0.75 mm ² |
| Conductor cross section solid max. | 16 mm ² |
| Conductor cross section stranded min. | 0.75 mm ² |
| Conductor cross section stranded max. | 16 mm ² |
| Conductor cross section stranded, with ferrule without plastic sleeve min. | 0.5 mm ² |
| Conductor cross section stranded, with ferrule without plastic sleeve max. | 16 mm ² Only in connection with CRIMPFOX 16 S |
| Conductor cross section stranded, with ferrule with plastic sleeve min. | 0.5 mm ² |
| Conductor cross section stranded, with ferrule with plastic sleeve max. | 16 mm ² Only in connection with CRIMPFOX 16 S |
| Conductor cross section AWG/kcmil min. | 18 |
| Conductor cross section AWG/kcmil max | 6 |
| 2 conductors with same cross section, solid min. | 0.75 mm ² |
| 2 conductors with same cross section, solid max. | 6 mm ² |
| 2 conductors with same cross section, stranded min. | 0.75 mm ² |
| 2 conductors with same cross section, stranded max. | 6 mm ² |
| 2 conductors with same cross section, stranded, ferrules without plastic sleeve, min. | 0.5 mm ² |
| 2 conductors with same cross section, stranded, ferrules without plastic sleeve, max. | 4 mm ² |
| 2 conductors with same cross section, stranded, TWIN ferrules with plastic sleeve, min. | 0.5 mm ² |
| 2 conductors with same cross section, stranded, TWIN ferrules with plastic sleeve, max. | 6 mm ² |
| Minimum AWG according to UL/CUL | 20 |

Printed-circuit board connector - TPC 16/ 9-ST-10,16 - 1715248

Technical data

Connection data

| | |
|---------------------------------|---|
| Maximum AWG according to UL/CUL | 4 |
|---------------------------------|---|

Classifications

eCl@ss

| | |
|------------|----------|
| eCl@ss 4.0 | 272607xx |
| eCl@ss 4.1 | 27260701 |
| eCl@ss 5.0 | 27260701 |
| eCl@ss 5.1 | 27260701 |
| eCl@ss 6.0 | 27260704 |
| eCl@ss 7.0 | 27440402 |
| eCl@ss 8.0 | 27440309 |

ETIM

| | |
|----------|----------|
| ETIM 3.0 | EC001121 |
| ETIM 4.0 | EC002638 |
| ETIM 5.0 | EC002638 |

UNSPSC

| | |
|---------------|----------|
| UNSPSC 6.01 | 30211810 |
| UNSPSC 7.0901 | 39121409 |
| UNSPSC 11 | 39121409 |
| UNSPSC 12.01 | 39121409 |
| UNSPSC 13.2 | 39121409 |

Approvals

Approvals

Approvals

UL Recognized / cUL Recognized / EAC / cULus Recognized

Ex Approvals

Approvals submitted

Approval details

Printed-circuit board connector - TPC 16/ 9-ST-10,16 - 1715248

Approvals

UL Recognized

| | B | C |
|--------------------------------|-------|-------|
| mm ² /AWG/kcmil | 20-4 | 20-4 |
| Nominal current I _N | 60 A | 60 A |
| Nominal voltage U _N | 600 V | 600 V |

cUL Recognized

| | B | C |
|--------------------------------|-------|-------|
| mm ² /AWG/kcmil | 20-4 | 20-4 |
| Nominal current I _N | 60 A | 60 A |
| Nominal voltage U _N | 600 V | 600 V |

EAC

cULus Recognized

Accessories

Accessories

Coding element

Coding profile - CP-PC RD - 1701967

Coding profile, for plugging into the coding ribs of the plug at a later date, insulating material, color: Red



Additional products

Printed-circuit board connector - IPC 16/ 9-ST-10,16 - 1969441



Plug component, Nominal current: 76 A, Rated voltage (III/2): 1000 V, Number of positions: 9, Pitch: 10.16 mm, Connection method: Screw connection, Color: green, Contact surface: Silver

Printed-circuit board connector - TPC 16/ 9-ST-10,16 - 1715248

Accessories

Printed-circuit board connector - ISPC 16/ 9-ST-10,16 - 1748613



Plug component, Nominal current: 76 A, Rated voltage (III/2): 1000 V, Number of positions: 9, Pitch: 10.16 mm, Connection method: Spring-cage connection, Color: green, Contact surface: Silver

Base strip - PC 6-16/ 9-G1-10,16 - 1996391



Header, Nominal current: 76 A, Rated voltage (III/2): 1000 V, Number of positions: 9, Pitch: 10.16 mm, Color: green, Contact surface: Silver, Mounting: Soldering

Base strip - PC 6-16/ 9-G1U-10,16 - 1996304



Header, Nominal current: 76 A, Rated voltage (III/2): 1000 V, Number of positions: 9, Pitch: 10.16 mm, Color: green, Contact surface: Silver, Mounting: Soldering

Base strip - PCV 6-16/ 9-G1-10,16 - 1998852



Header, Nominal current: 76 A, Rated voltage (III/2): 1000 V, Number of positions: 9, Pitch: 10.16 mm, Color: green, Contact surface: Silver, Mounting: Soldering

Housing - DFK-PC 6-16/ 9-G-10,16 - 1701524



Header, Nominal current: 76 A, Rated voltage (III/2): 1000 V, Number of positions: 9, Pitch: 10.16 mm, Color: green, Contact surface: Silver, Mounting: Soldering

Printed-circuit board connector - TPC 16/ 9-ST-10,16 - 1715248

Accessories

Base strip - DFK-PC 6-16/ 9-GU-10,16 - 1701689



Header, Nominal current: 76 A, Rated voltage (III/2): 1000 V, Number of positions: 9, Pitch: 10.16 mm, Color: green, Contact surface: Silver, Mounting: Soldering

Base strip - DFK-PCV 6-16/ 9-G-10,16 - 1702167



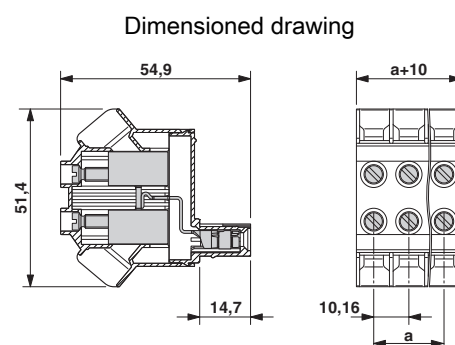
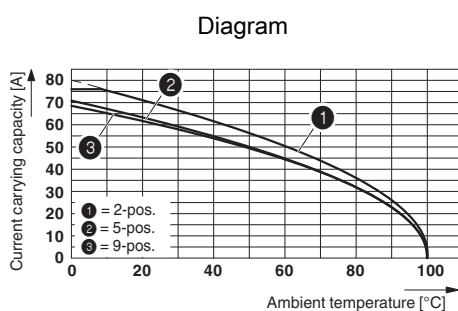
Header, Nominal current: 76 A, Rated voltage (III/2): 1000 V, Number of positions: 9, Pitch: 10.16 mm, Color: green, Contact surface: Silver, Mounting: Soldering

Printed-circuit board connector - DFK-PC 16/ 9-ST-10,16 - 1703441



Plug component, Nominal current: 76 A, Rated voltage (III/2): 1000 V, Number of positions: 9, Pitch: 10.16 mm, Connection method: Screw connection, Color: green, Contact surface: Silver

Drawings



Derating curve for: TPC 16/....-ST-10,16 with PC 6-16/...-G-10,16