

## 3478UFR125P63

EAN 4031582306989

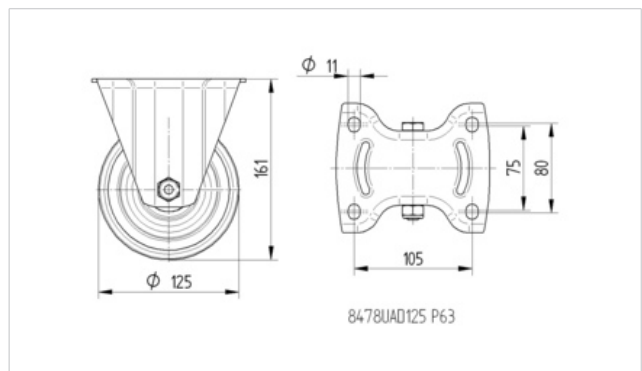
Fixed castor, Fork made of pressed steel, bright zinc plated, blue passivated, wheel axle with nut, plate fitting.

Wheel centre made of Polyamide, Tread: elastic-tyre, non-marking, roller bearing

### Technical Data

Wheel diameter	125 mm
Width of Tread	40 mm
Size of Plate	137 x 115 mm
Plate hole centres	105 x 80/75 mm
Plate hole	11 mm
Overall height	161 mm
Temperature	- 20 / + 80 °C
Standard	EN 12532
Weight	1.256 kg
Hardness of tread	A 64 Shore
Load capacity	250 kg
Load capacity (static)	500 kg

Roll performance	+	+	+	+	+
Movement noise	+	+	+	+	+
Attrition	+	+	+	+	+
Corrosion resistance	+	+	+	+	+



# Product Information



## 3478UFR125P63

EAN 4031582306989

