



LKM, CL8 and FH Cable Tie Mounts

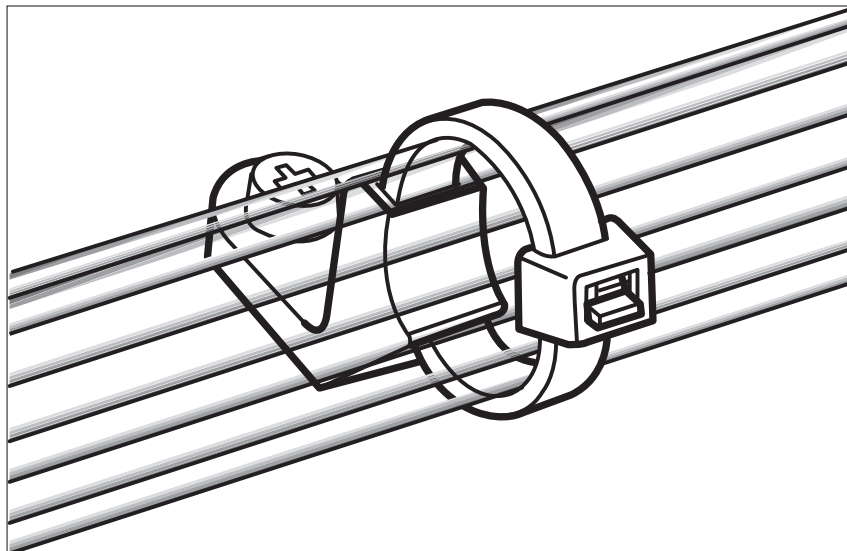
Features and Benefits

With these screwfix mounts it is possible to install the cable sideways. The FH mounts feature a compact design.

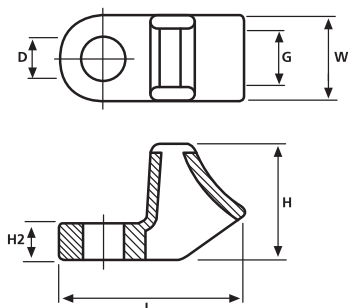
The CL8/LKM mounts are ideal for securing large, heavier, bundles and will accept cable ties up to 8 mm wide.

Application

In areas with limited space these mounting bases allow the cable to be offset from the fixing hole, and can be installed in the equipment prior to the cable installation. A major cost saving can be made by using these products as many different sizes of standard cable ties can be used, reducing the need to stock a wide range of specific fixing ties.

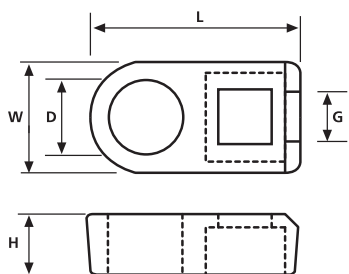


LKM/CL8 Cable Tie Mounts



LKM/CL8 Cable Tie Mounts

Material Data	
Material	Polyamide 6.6 (PA66)
Operating Temperature	-40 °C to +85 °C Continuous, (+105 °C for 500 h)
Flammability	UL94 V2



FH Cable Tie Mounts

Material Data	
Material	Polyamide 6.6 UV Resistant (PA66W)
Operating Temperature	-40 °C to +85 °C Continuous, (+105 °C for 500 h)
Flammability	UL94 V2



Technical Table

Article-No.	Type	Length (L)	Width (W)	Height (H)	Height (H2)	Fixing Hole Ø (FH)	Strap Width max. (G)	Material	Colour
151-26819	CL8	27.3	12.5	16.0	5.0	6.5	8.0	PA66	Natural (NA)
151-26800	CL8	27.3	12.5	16.0	5.0	6.5	8.0	PA66	Black (BK)
151-26860	CL8	27.3	12.5	16.0	5.0	6.5	8.0	PA66W	Black (BK)
151-26302	LKM	27.0	12.0	16.0	5.0	6.0	7.6	PA66	Black (BK)
151-26303	LKM	27.0	12.0	16.0	5.0	6.0	7.6	PA66	Natural (NA)
151-61119	FH18	13.3	7.1	4.0	-	3.7	2.5	PA66	Natural (NA)
151-61319	FH30	17.9	9.5	4.7	-	5.5	3.5	PA66	Natural (NA)
151-61519	FH50	22.2	11.3	6.2	-	7.1	4.6	PA66	Natural (NA)

All dimensions in mm. Subject to technical changes.