

## Hi-Spot ES50 Superia

Hi-Spot ES50 Superia 50W GU10 230V Sleeve

0022902



### Range features

- Unique long life filament
- Xenon gas filling for increased light output
- Unique, patented, spiral faceted aluminised reflector
- For accent or decorative lighting in retail, commercial and domestic applications
- Ceramic base, brass contacts for a robust fitting
- For use in mains voltage GU10/GZ10 downlights, spotlights and luminaires
- Transformer free halogen
- 100% dimmable
- Integral Safety fuse
- Average rated life 4000 hrs



### PRODUCT OVERVIEW

|                                   |               |
|-----------------------------------|---------------|
| Ordering number                   | 0022902       |
| Technology                        | Halogen       |
| Average life (Rated) (h)          | 3000          |
| Energy class                      | D             |
| Lamp shape                        | Reflector     |
| Lamp finish                       | Aluminium     |
| Dimmable                          | Yes           |
| Cap/Base                          | GU10          |
| Type                              | PAR16 (GU10)  |
| EAN code                          | 5410288229027 |
| CRI (Ra)                          | 100           |
| Beam angle(°)                     | 25            |
| Colour temperature (K)            | 2650          |
| Useful luminous flux (Rated) (lm) | 300           |
| Watt (Nominal) (W)                | 50            |
| Voltage (V)                       | 230           |

## Hi-Spot ES50 Superia

Hi-Spot ES50 Superia 50W GU10 230V Sleeve

0022902

### DATA TABLE

#### General data

|   |  |
|---|--|
| <b>Ordering number</b>  | 0022902  |
| <b>Technology</b>   | Halogen  |
| <b>Average life (Nominal) (h)</b>                             | 3000   |
| <b>Average life (Rated) (h)</b>                               | 3000   |
| <b>Energy saving lamp</b>                                     | No   |
| <b>Energy class</b>   | D  |
| <b>Lamp shape</b>   | Reflector  |
| <b>Lamp finish</b>  | Aluminium  |
| <b>Dimmable</b>   | Yes  |
| <b>Cap/Base</b>   | GU10   |
| <b>Type</b>   | PAR16 (GU10)   |
| <b>EAN code</b>   | 5410288229027  |
| <b>Long description</b>                                       | Unique long life filament. Xenon gas filling for increased light output. Unique, patented, spiral faceted aluminised reflector. For accent or decorative lighting in retail, commercial and domestic applications. Ceramic base, brass contacts for a robust fitting. For use in mains voltage GU10/GZ10 downlights, spotlights and luminaires. Transformer free halogen. 100% dimmable. Integral Safety fuse. Average rated life 4000 hrs |
| <b>Product name</b>   | Hi-Spot ES50 Superia 50W GU10 230V Sleeve  |
| <b>Lamp mercury content (mg)</b>                              | 0  |
| <b>Starting time (max) (s)</b>                                | 0  |
| <b>Warm-up time to 60% of full light (max) (s)</b>            | Instant Full Light   |
| <b>Control gear required</b>                                  | No   |
| <b>Fixture rating</b>   | Open   |
| <b>IEC Reference</b>  | IEC 60357  |
| <b>IEC Reference 2</b>  | IEC 60432-3  |
| <b>IEC Reference 3</b>  | IEC 60630  |
| <b>Intended purpose</b>                                       | General lighting   |
| <b>No. of switching cycles before premature failure (min)</b> | > 12000  |
| <b>Special purpose lamp</b>                                   | No   |
| <b>Transformer required</b>                                   | no   |
| <b>Sales pack quantity</b>                                    | 10   |

# Hi-Spot ES50 Superia

*Hi-Spot ES50 Superia 50W GU10 230V Sleeve*

**0022902**

## Optical data

|   |      |
|---|------|
| <b>CRI (Ra)</b>                                     | 100  |
| <b>Suitable for accent lighting</b>                 | Yes  |
| <b>Beam angle (Rated) (°)</b>                       | 25   |
| <b>Beam angle(°)</b>                                | 25   |
| <b>Colour temperature (K)</b>                       | 2650 |
| <b>Useful luminous flux (Rated) (lm)</b>            | 300  |
| <b>Luminous flux (Nominal) (lm)</b>                 | 300  |
| <b>Lumen maintenance at end of nominal life (%)</b> | 80   |
| <b>Peak intensity (cd)</b>                          | 1150 |

## Electrical data

|  |     |
|--|-----|
| <b>kWh per 1000 hours burning time</b> | 50  |
| <b>Watt (Rated) (W)</b>                | 50  |
| <b>Watt (Nominal) (W)</b>              | 50  |
| <b>Voltage (V)</b>                     | 230 |
| <b>Lamp power factor</b>               | 1   |

## Physical data

|  |     |
|--|-----|
| <b>Lamp Length (mm) - C/L</b>                              | 55  |
| <b>Lamp Diameter (mm) - D</b>                              | 50  |
| <b>Lamp dimension equal to filament lamp equivalent</b>    | Yes |
| <b>Packaging outer width (cm)</b>                          | 25  |
| <b>Packaging outer length (cm)</b>                         | 51  |
| <b>Packaging outer height (cm)</b>                         | 14  |
| <b>Packaging single length (cm)</b>                        | 4.8 |
| <b>Packaging single width (cm)</b>                         | 4.8 |
| <b>Packaging single height (cm)</b>                        | 6.2 |
| <b>Designed for optimum use in non standard conditions</b> | No  |

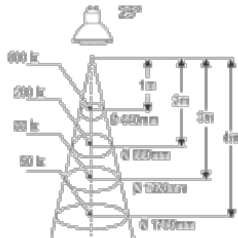
## Hi-Spot ES50 Superia

Hi-Spot ES50 Superia 50W GU10 230V Sleeve

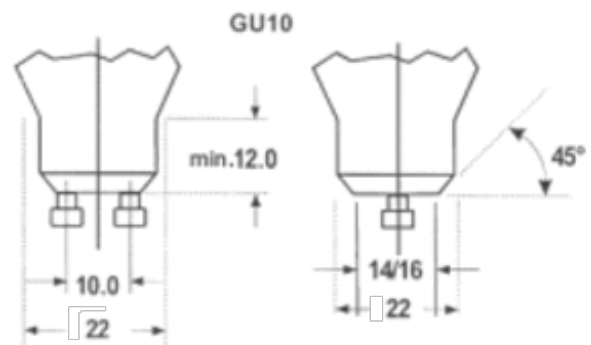
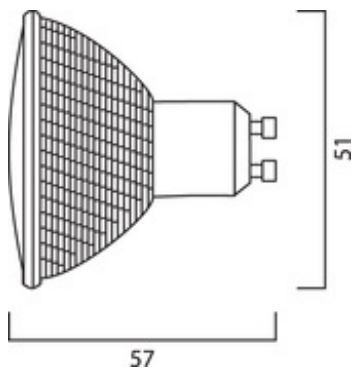
0022902

### PHOTOMETRY

#### Hi-Spot ES50 - 35W/25°



### TECHNICAL DRAWINGS



### ENERGY LABEL

