

Housing - HC-EVO-B16-SHFDC-2SSM40-PLRBK - 1407653

Please be informed that the data shown in this PDF Document is generated from our Online Catalog. Please find the complete data in the user's documentation. Our General Terms of Use for Downloads are valid (<http://phoenixcontact.com/download>)



Why buy this product

- Lower costs than metal version
- Low weight
- Lower risk of condensation
- Both contact insert PE sheets are connected by means of a metal frame integrated in the sleeve housing
- Metal inlays ensure leading PE contact with angled plugs
- Completely corrosion-resistant
- Halogen-free plastic
- Impact test according to IK 08



Key commercial data

Packing unit	1 pc
GTIN	
Weight per Piece (excluding packing)	196.4 g
Custom tariff number	85389099
Country of origin	Poland

Technical data

Dimensions

Height	84 mm
Width	57 mm
Length	117 mm

Ambient conditions

Degree of protection of housing (IP)	IP66
Degree of protection of housing (NEMA)	4 (UL50e / NEMA 250)
	4X (UL50e / NEMA 250)

Housing - HC-EVO-B16-SHFDC-2SSM40-PLRBK - 1407653

Technical data

Ambient conditions

	12 (UL50e / NEMA 250)
Ambient temperature (operation)	-40 °C ... 125 °C

General

Note	For contact inserts HC-B16, BB32, D40, DD72, HS6, HV6, M, K, HV06-I-PR, HV 6-E...C
Type	B16
Housing type	Box mounting bases
Color	black
Locking type	For double locking latch
No. of cable outlets	2
Cable exit	Lateral
Screw connection	none
Type of the screw connection	2x M40
Protective cover	Yes
Housing material	Polyamide
Seal material	NBR
Material, protective cover	Polyamide
Inflammability class according to UL 94	V0
Connection	One of the two openings for the screw connections is sealed but can be broken open using a screwdriver.

Classifications

eCl@ss

eCl@ss 4.0	27140816
eCl@ss 4.1	27140816
eCl@ss 5.0	27143424
eCl@ss 5.1	27143424
eCl@ss 6.0	27143424
eCl@ss 7.0	27440209
eCl@ss 8.0	27440202

ETIM

ETIM 3.0	EC000437
ETIM 4.0	EC000437
ETIM 5.0	EC000437

UNSPSC

UNSPSC 6.01	31261502
UNSPSC 7.0901	31261502
UNSPSC 11	31261502

Housing - HC-EVO-B16-SHFDC-2SSM40-PLRBK - 1407653

Classifications

UNSPSC

UNSPSC 12.01	31261502
UNSPSC 13.2	31261502

Approvals

Approvals

Approvals

GL / EAC

Ex Approvals

Approvals submitted

Approval details

GL

EAC

Accessories

Accessories

Full screw connection

Cable gland - HC-K-KV-M40(16-28)BK - 1407674



Plastic screw connection up to 5 bar, thread length: 10 mm, cable diameter: 16 - 28 mm, WAF 46, screw connection: M40

Plug for cable screw gland

Filler plugs - HC-K-BS-M40-BK - 1410767



Filler plug, plastic, size: M40

Housing - HC-EVO-B16-SHFDC-2SSM40-PLRBK - 1407653

Accessories

Seal

Profile gasket - HC-B16-SP-RBK - 1407708



Profile gasket for HEAVYCON EVO supporting base element type B16

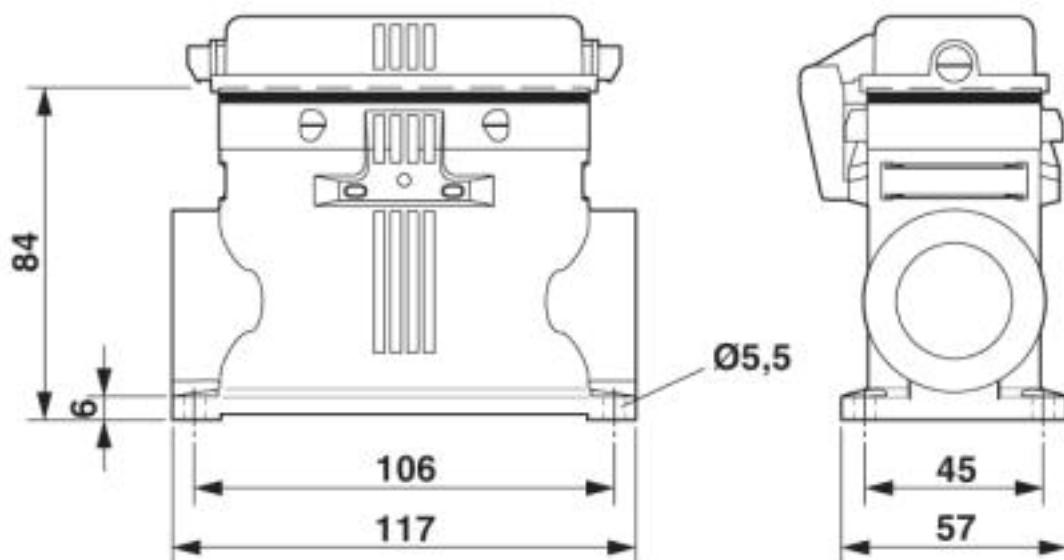
Protective covers - HC-B16-BC-HI-PLBK - 1407694



HEAVYCON EVO hinged protective cover, type B16, for EVO supporting base element, IP65, PA

Drawings

Dimensioned drawing



Dimensional drawing