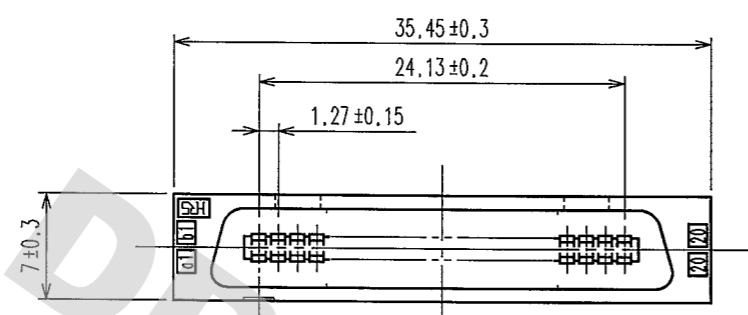


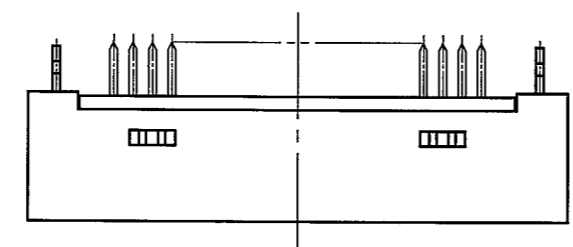
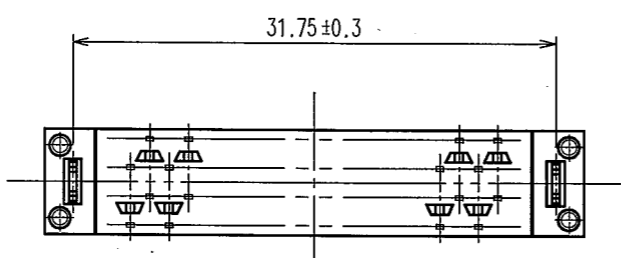
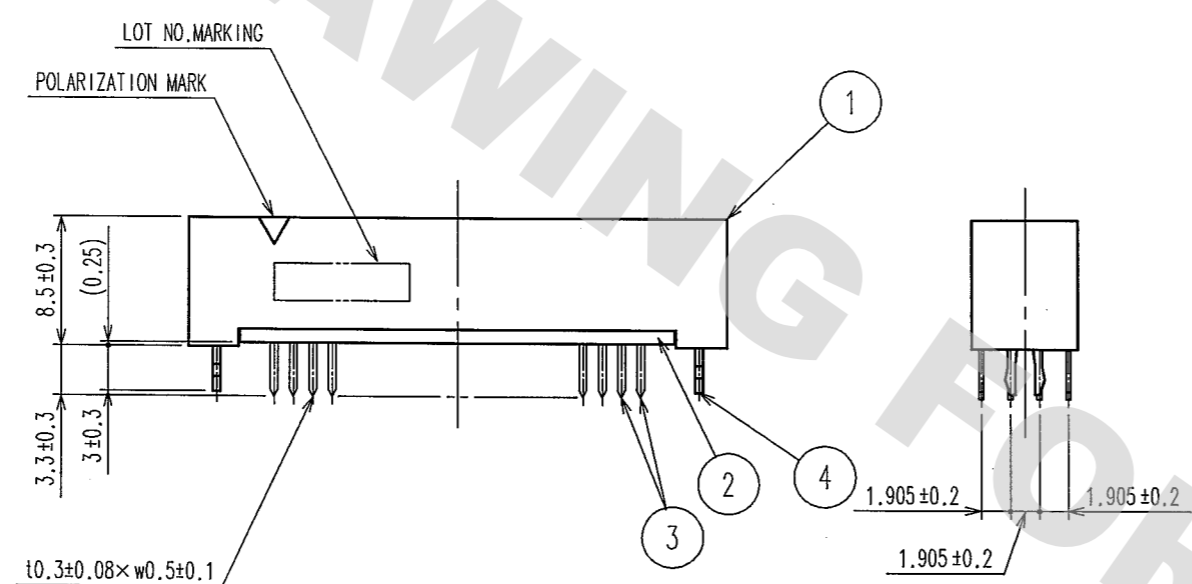
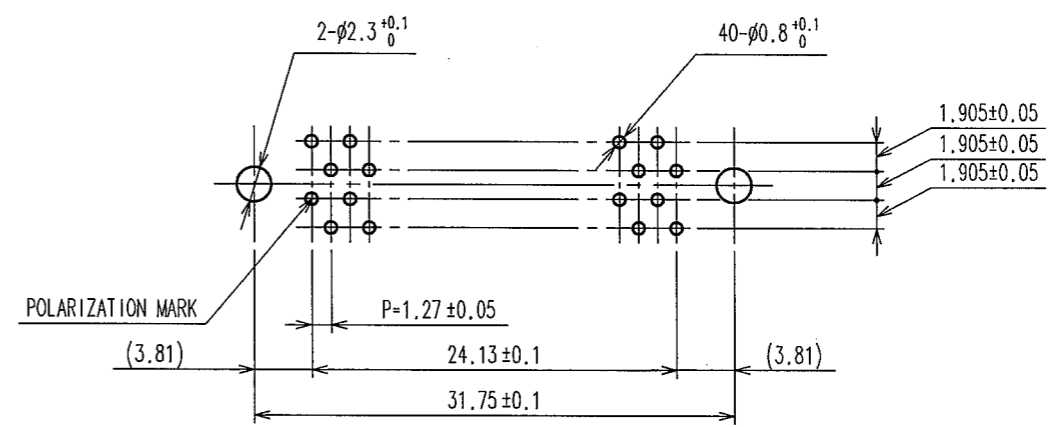
DRAWING FOR REFERENCE: This is subject to change without notice  
08/11/2012

TO

5					6					7					8				
COUNT	DESCRIPTION OF REVISIONS				BY	CHKD	DATE	COUNT	DESCRIPTION OF REVISIONS				BY	CHKD	DATE				
△								△											
△								△											
△								△											



RECOMMENDED PC BOARD HOLE PATTERN  
(MOUNTING SIDE) t=1.6



NOTE THE DIMENSIONS IN PARENTHESES ARE FOR REFERENCE.

4	PHOSPHOR BRONZE	TIN-PLATING	3	PHOSPHOR BRONZE	CONTACT AREA : GOLD 0.2μ m min.
1, 2	POLYAMIDE	BLACK, UL94V-0			DIP AREA : TIN 2μ m min.
					UNDER PLATING : NICKEL 2μ m min.
NO.	MATERIAL	FINISH, REMARKS	NO.	MATERIAL	FINISH, REMARKS
CODE NO. (OLD)			DRAWN	DESIGNED	CHECKED
			A.SUZUKAWA	G. Noda	K. Ozawa
			05.10.25	05.10.26	05.10.26
DRAWING NO.			PART NO.		
EDC3-083141-21			FX2CA-40P-1.27DSAL (71)		
SCALE			CODE NO.		
2 : 1			CL572-2353-6-71		
UNITS			1/1		
mm			HRS HIROSE ELECTRIC CO., LTD		