

# Product Information



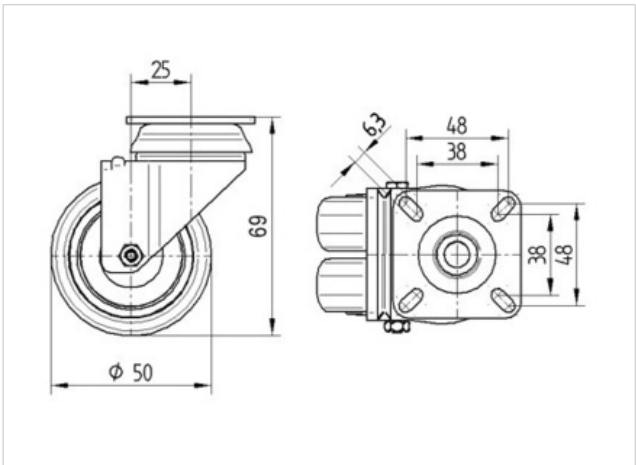
## 2970UOO050P40

EAN 4031582302776

Swivel castor, housing made of pressed steel, bright zinc plated, blue passivated, double ball bearing swivel head, wheel axle with nut, plate fitting. Wheel centre made of Polyamide, plain bearing

Technical Data	
Wheel diameter	50 mm
Width of Tread	20 mm
Size of Plate	60 x 60 mm
Plate hole centres	48/38 x 48/38 mm
Plate hole	6,3 mm
Offset	25 mm
Swivel Interference	106 mm
Overall height	69 mm
Temperature	- 40 / + 80 °C
Standard	EN 12530
Weight	0.215 kg
Swivel Radius	53 mm
Hardness of tread	Shore D 75
Load capacity	70 kg
Load capacity (static)	140 kg

Roll performance	+	+	+	+	+
Movement noise	+	+	+	+	+
Attrition	+	+	+	+	+
Corrosion resistance	+	+	+	+	+



# Product Information



## 2970UOO050P40

EAN 4031582302776

