

# IB IL 24 DO 2-2A-PAC

Order No.: 2861263



<http://eshop.phoenixcontact.de/phoenix/treeViewClick.do?UID=2861263>

Inline digital output terminal block, complete with accessories (connector and labeling field), 2 outputs, 24 V DC, 2 A, 4-wire connection system



Commercial data	
EAN	4017918894207
Pack	1 Pcs.
Customs tariff	85389091
Weight/Piece	0.0824 KG
Catalog page information	Page 67 (AX-2007)

#### Product notes

WEEE/RoHS-compliant since:  
10/04/2006



<http://www.download.phoenixcontact.com>  
Please note that the data given here has been taken from the online catalog. For comprehensive information and data, please refer to the user documentation. The General Terms and Conditions of Use apply to Internet downloads.

## Technical data

Interface	
Name	Local bus
Type of connection	Inline data jumper
Transmission rate	500 kBaud

### Digital outputs

Output name	Digital outputs
Type of connection	Spring-cage connection
Connection system	2, 3, 4-wire
Number of outputs	2
Maximum output current per channel	2 A
Protective circuitry	Overload protection, short circuit protection of outputs
Output voltage	24 V ( $U_s - 1$ V)
Nominal output voltage	24 V DC (voltage difference at $I_{nom} \leq 1$ V)
Maximum output current per module	4 A
Maximum output current per channel	2 A
Nominal load, inductive	48 W
Nominal load, lamp	48 W
Nominal load, ohmic	48 VA

### Power supply for module electronics

Supply voltage	24 V DC (via voltage jumper)
Range of supply voltages	19.2 V DC ... 30 V DC
Communications voltage $U_L$	7.5 V (via voltage jumper)
Current consumption	Max. 35 mA (from the local bus)

### General data

Weight	46 g
Note on weight specifications	Without plug
Ambient temperature (operation)	-25 °C ... 55 °C
Ambient temperature (storage/transport)	-25 °C ... 85 °C
Permissible humidity (operation)	10 % ... 95 % (According to DIN EN 61131-2)
Permissible humidity (storage/transport)	10 % ... 95 % (According to DIN EN 61131-2)
Air pressure (operation)	70 kPa ... 106 kPa (up to 3000 m above sea level)
Air pressure (storage/transport)	70 kPa ... 106 kPa (up to 3000 m above sea level)
Degree of protection	IP20
Class of protection	III, IEC 61140

Test section	5 V supply, incoming remote bus/7.5 V supply (bus logics) 500 V AC 50 Hz 1 min
	5 V supply, outgoing remote bus/7.5 V supply (bus logics) 500 V AC 50 Hz 1 min
	7.5 V supply (bus logics)/24 V supply (I/O) 500 V AC 50 Hz 1 min
	24 V supply (I/O) / functional earth ground 500 V AC 50 Hz 1 min
Diagnostics messages	Short circuit / overload of the digital outputs Error message in the diagnostic code (bus) and display (2 Hz) via the LED (D) on the module
Mounting type	DIN rail

#### Inline potential routing

Communications voltage $U_L$	7.5 V DC
Current consumption from $U_L$	Max. 35 mA
Supply for main circuit $U_M$	24 V DC
Segment power supply voltage $U_S$	24 V DC (nominal value)
Current consumption from $U_S$	Max. 4 A

#### Certificates / Approvals

#### Approval logo



#### requested approbations

Certification	CUL, GOST, TUEV-N, UL
Certification Ex:	CUL-EX LIS, PxC-EX, UL-EX LIS

#### Accessories

Item	Designation	Description
<b>Literature</b>		
2745554	IB IL SYS PRO UM	User Manual, German, for configuring and installing the INTERBUS Inline product range
<b>Marking</b>		
0809492	ESL 62X10	Insert strip for laser printer, lettering field: 62 x 10 mm
0809502	ESL 62X46	Insert strip for laser printer, lettering field: 62 x 46 mm
2727501	IB IL FIELD 2	Labeling field, width: 12.2 mm

---

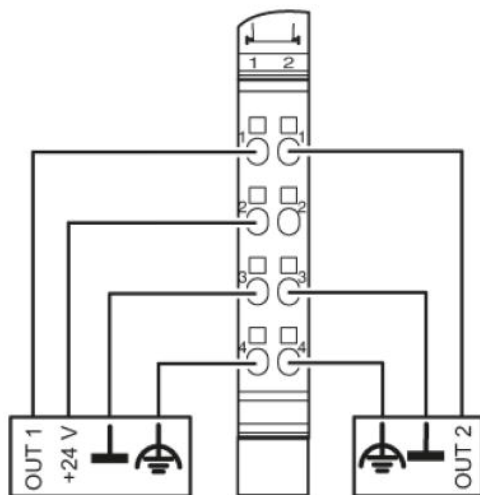
2727515	IB IL FIELD 8	Labeling field, width: 48,8 mm
---------	---------------	--------------------------------

**Plug/Adapter**

2726337	IB IL SCN-8	Connector, for digital 1, 2 or 8-channel Inline terminals
2727608	IB IL SCN-8-CP	Inline connector, colored

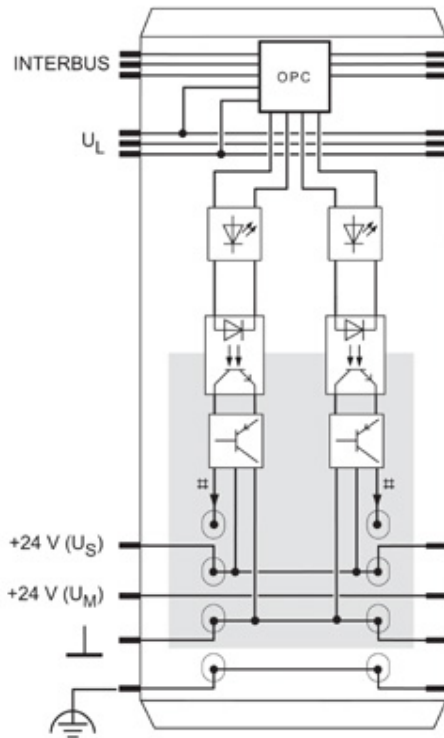
**Drawings**

Connection diagram



Block diagram

---



Dimensioned drawing

---

