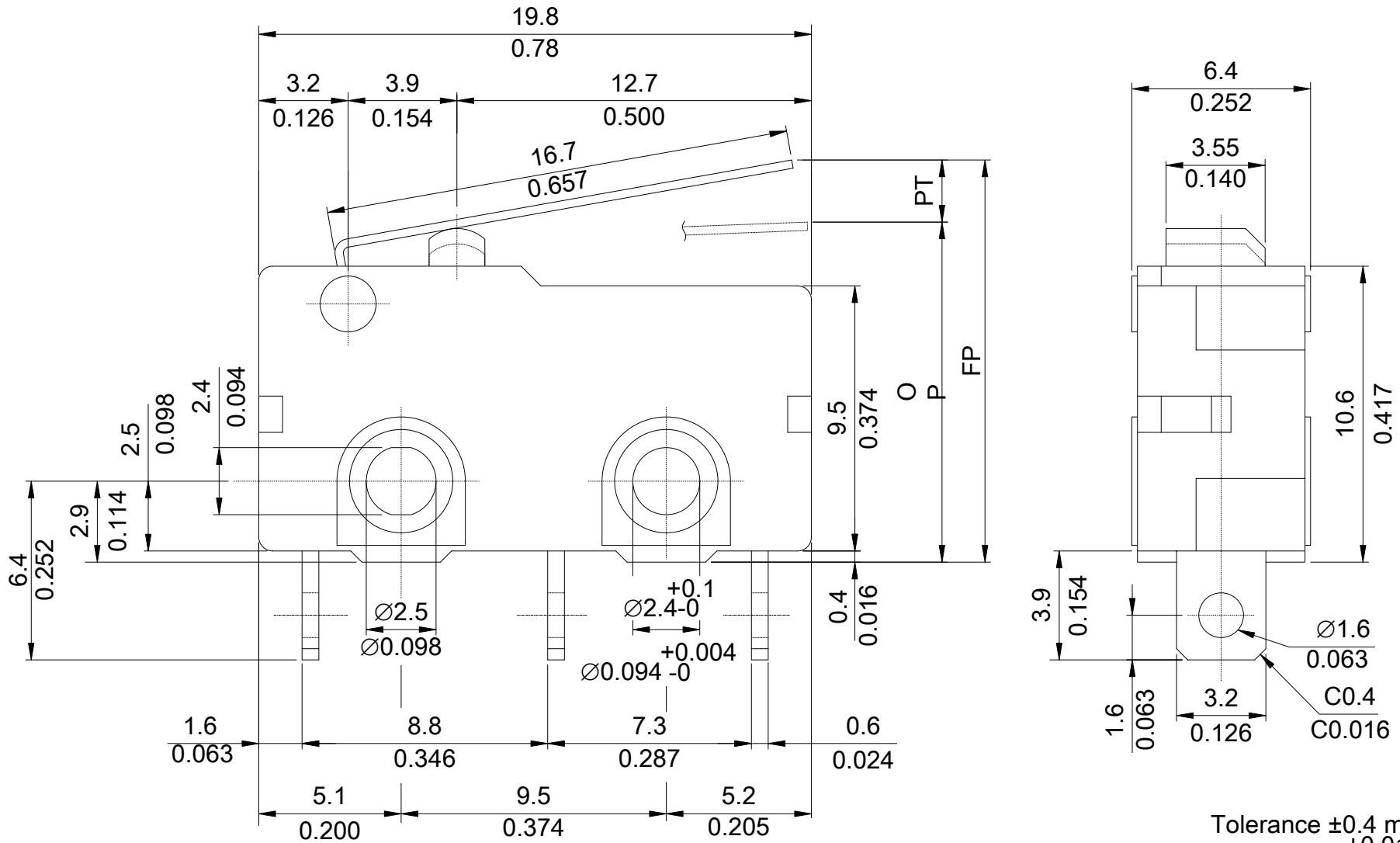


ZM50D10B01



Tolerance ± 0.4 mm
 ± 0.016 inch

	SEP 12,2002										
REV	DATE	APPROVAL	DESIGN	ENGINEERING CHANGE DESCRIPTION		VIEW		SIZE	A4	UNIT	mm / inch
						DATE	SEP 12,2002	VER.	1	FILE NAME	
						APPROVAL		CONFIRM		DESIGN	