

# Timer module - UEGM-OE/AV-24DC/24DC/100 - 2766850

Please be informed that the data shown in this PDF Document is generated from our Online Catalog. Please find the complete data in the user's documentation. Our General Terms of Use for Downloads are valid (<http://download.phoenixcontact.com>)




Pulse expansion module, input: 24 V DC, output: 3 - 48 V DC/100 mA, supply: 20 - 30 V DC

## Why buy this product

- Electrical isolation of signals using solid-state relays
- Delay times of 10 to 1500 ms



## Key commercial data

Packing unit	1 pc
GTIN	 4 017918 066888
Weight per Piece (excluding packing)	102.5 g
Custom tariff number	85364190
Country of origin	Germany

## Technical data

### Dimensions

Width	25 mm
Height	79 mm
Depth	85 mm

### Ambient conditions

Ambient temperature (operation)	0 °C ... 55 °C
---------------------------------	----------------

### Input data

Name	Supply
Max. current consumption	approx. 16 mA
Type of protection	Protection against polarity reversal
	Surge protection
Protective circuit/component	Polarity protection diode

# Timer module - UEGM-OE/AV-24DC/24DC/100 - 2766850

## Technical data

### Input data

Name	Pulse input
Impulse voltage	24 V DC ( $\pm 20\%$ )
Pulse time	0.1 ms
Max. current consumption	6 mA
Type of protection	RC element
Protective circuit/component	RC element

### Output data

Output voltage range	3 V DC ... 48 V DC ( $V_{CC}$ , GND)
Limiting continuous current	100 mA
Voltage drop at max. limiting continuous current	1.4 V
Output circuit	3-conductor, ground-referenced
Type of protection	Protection against polarity reversal
	Surge protection
Protective circuit/component	Polarity protection diode
	Damping diode

### Connection data

Connection method	Screw connection
Conductor cross section solid min.	0.2 mm <sup>2</sup>
Conductor cross section solid max.	4 mm <sup>2</sup>
Conductor cross section stranded min.	0.2 mm <sup>2</sup>
Conductor cross section stranded max.	2.5 mm <sup>2</sup>
Conductor cross section AWG/kcmil min.	24
Conductor cross section AWG/kcmil max	12

### General

Test voltage input/output	1 kV
Accuracy	Set time $t \pm 10\%$
Mounting position	any
Assembly instructions	In rows with zero spacing
Standards/regulations	IEC 60664
Rated surge voltage / insulation	Basic insulation
Pollution degree	2
Surge voltage category	III

## Classifications

### eCl@ss

eCl@ss 4.0	27142309
eCl@ss 4.1	27142309
eCl@ss 5.0	27371701

# Timer module - UEGM-OE/AV-24DC/24DC/100 - 2766850

## Classifications

### eCl@ss

eCl@ss 5.1	27371701
eCl@ss 6.0	27371604
eCl@ss 7.0	27371604
eCl@ss 8.0	27371604

### ETIM

ETIM 2.0	EC001504
ETIM 3.0	EC001504
ETIM 4.0	EC001504
ETIM 5.0	EC001504

### UNSPSC

UNSPSC 6.01	30211916
UNSPSC 7.0901	39121542
UNSPSC 11	39121542
UNSPSC 12.01	39121542
UNSPSC 13.2	39121542

## Approvals

### Approvals

---

Approvals

GOST

---

Ex Approvals

---

Approvals submitted

---

### Approval details

GOST
------

## Accessories

Accessories

PCB plug

# Timer module - UEGM-OE/AV-24DC/24DC/100 - 2766850

## Accessories

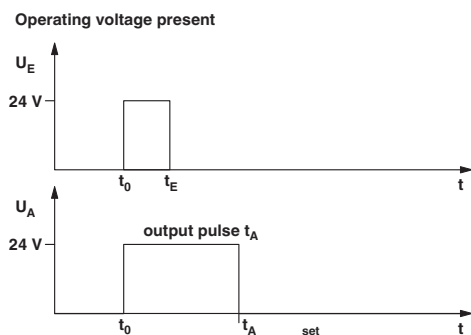
Printed-circuit board connector - MSTBT 2,5/12-ST-5,08 - 1781085

Plug component, Nominal current: 12 A, Rated voltage (III/2): 320 V, Number of positions: 12, Pitch: 5.08 mm, Connection method: Screw connection, Color: green, Contact surface: Tin

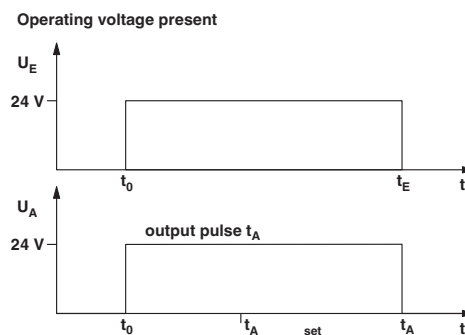


## Drawings

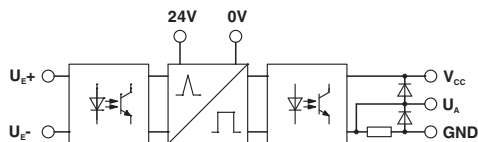
Diagram



Diagram



Circuit diagram



# Timer module - UEGM-OE/AV-24DC/24DC/100 - 2766850

Dimensioned drawing

