

# **Agilent N2739A 1000 Series Oscilloscope Rack Mount Kit**

## **Installation Guide**



**Agilent Technologies**

# Notices

© Agilent Technologies, Inc. 2008

No part of this manual may be reproduced in any form or by any means (including electronic storage and retrieval or translation into a foreign language) without prior agreement and written consent from Agilent Technologies, Inc. as governed by United States and international copyright laws.

## Manual Part Number

N2739-92000

## Edition

First edition, July 2008

Printed in Malaysia

Agilent Technologies, Inc.  
1900 Garden of the Gods Road  
Colorado Springs, CO 80907 USA

## Warranty

**The material contained in this document is provided “as is,” and is subject to being changed, without notice, in future editions. Further, to the maximum extent permitted by applicable law, Agilent disclaims all warranties, either express or implied, with regard to this manual and any information contained herein, including but not limited to the implied warranties of merchantability and fitness for a particular purpose. Agilent shall not be liable for errors or for incidental or consequential damages in connection with the furnishing, use, or performance of this document or of any information contained herein. Should Agilent and the user have a separate written agreement with warranty terms covering the material in this document that conflict with these terms, the warranty terms in the separate agreement shall control.**

## Technology Licenses

The hardware and/or software described in this document are furnished under a license and may be used or copied only in accordance with the terms of such license.

## Restricted Rights Legend

If software is for use in the performance of a U.S. Government prime contract or subcontract, Software is delivered and licensed as “Commercial computer software” as defined in DFAR 252.227-7014 (June 1995), or as a “commercial item” as defined in FAR 2.101(a) or as “Restricted computer software” as defined in FAR 52.227-19 (June 1987) or any equivalent agency regulation or contract clause. Use, duplication or disclosure of Software is subject to Agilent Technologies’ standard commercial license terms, and non-DOD Departments and Agencies of the U.S. Government will receive no greater than Restricted Rights as

defined in FAR 52.227-19(c)(1-2) (June 1987). U.S. Government users will receive no greater than Limited Rights as defined in FAR 52.227-14 (June 1987) or DFAR 252.227-7015 (b)(2) (November 1995), as applicable in any technical data.

## Safety Notices

### CAUTION

A **CAUTION** notice denotes a hazard. It calls attention to an operating procedure, practice, or the like that, if not correctly performed or adhered to, could result in damage to the product or loss of important data. Do not proceed beyond a **CAUTION** notice until the indicated conditions are fully understood and met.

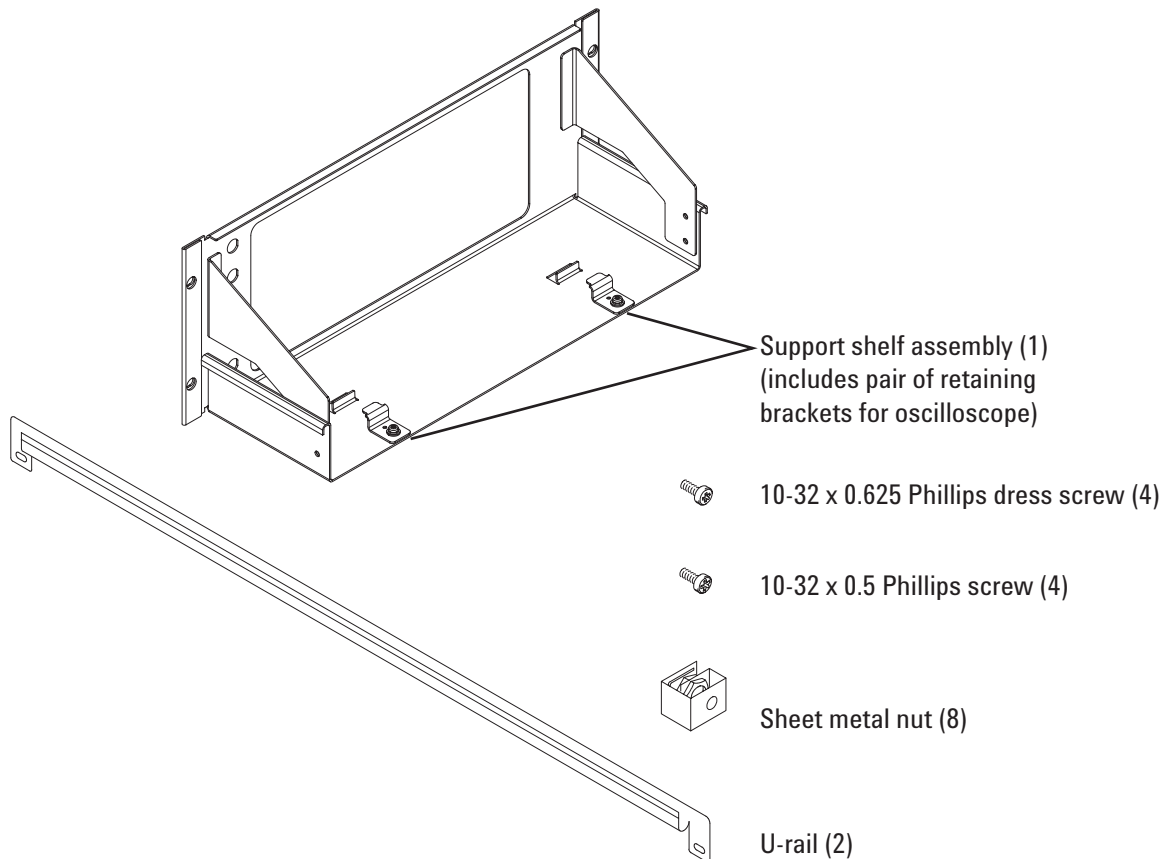
### WARNING

A **WARNING** notice denotes a hazard. It calls attention to an operating procedure, practice, or the like that, if not correctly performed or adhered to, could result in personal injury or death. Do not proceed beyond a **WARNING** notice until the indicated conditions are fully understood and met.

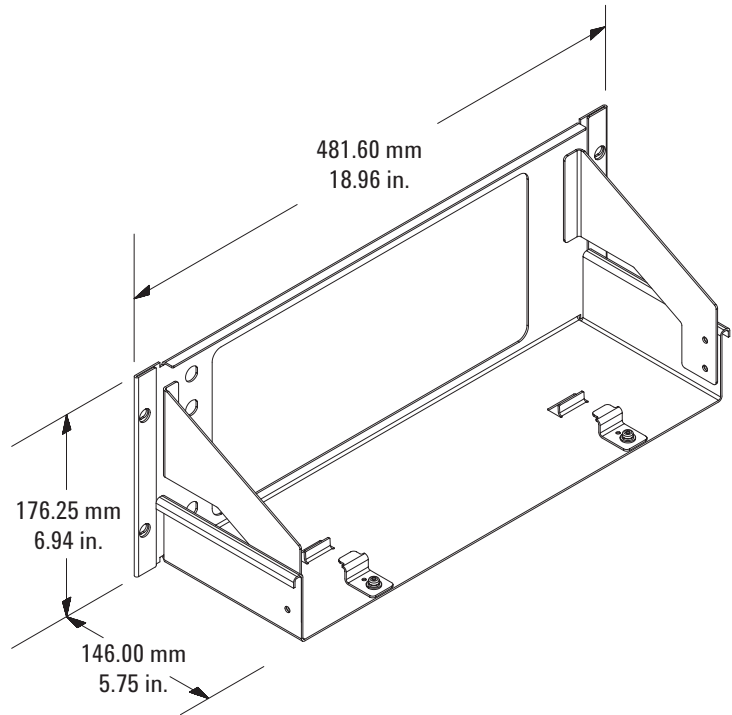
## In This Guide...

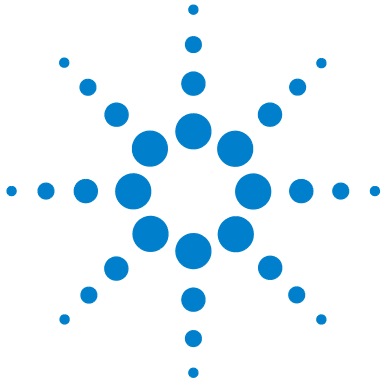
This guide contains instructions for installing the 1000 Series Oscilloscope Rack Mount Kit. The rack mount kit provides a support shelf and hardware for mounting Agilent 1000 Series oscilloscopes into Electronic Industries Association (EIA) standard 19-inch (487-mm) rack cabinets.

The rackmount kit includes the following parts:



Here are the dimensions of the support shelf.





## Installation

Prepare the support shelf [6](#)

Attach the oscilloscope to the support shelf [7](#)

Install the support shelf [9](#)

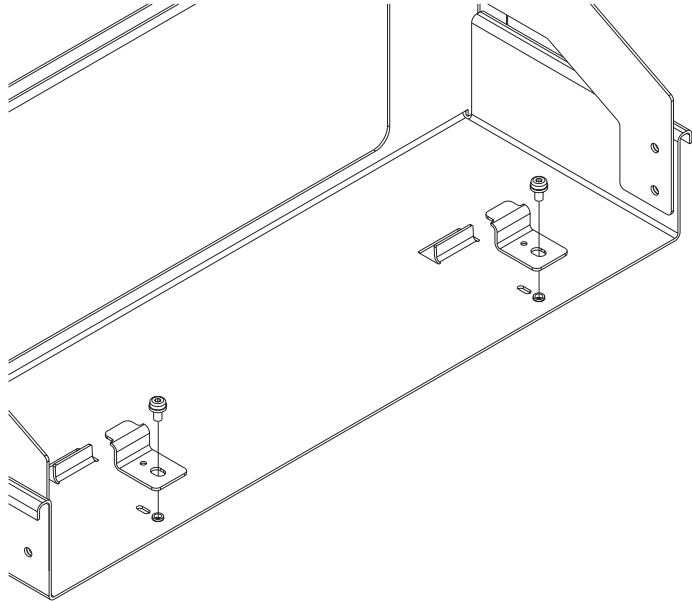
You need the following tools to install the rackmount kit:

- T20 TORX driver.
- #2 Phillips screwdriver.



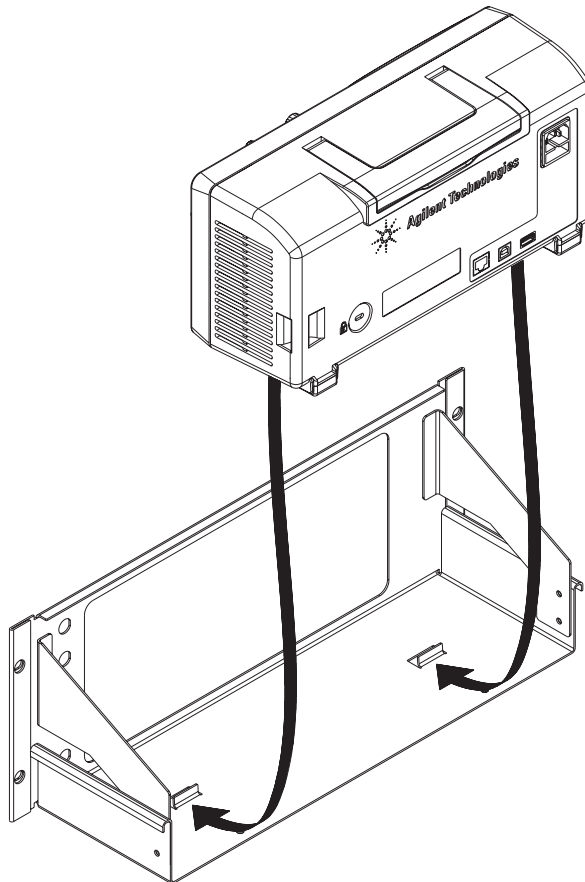
## Prepare the support shelf

- 1 Remove the screws that secure the two retaining brackets. Set the screws and brackets aside.



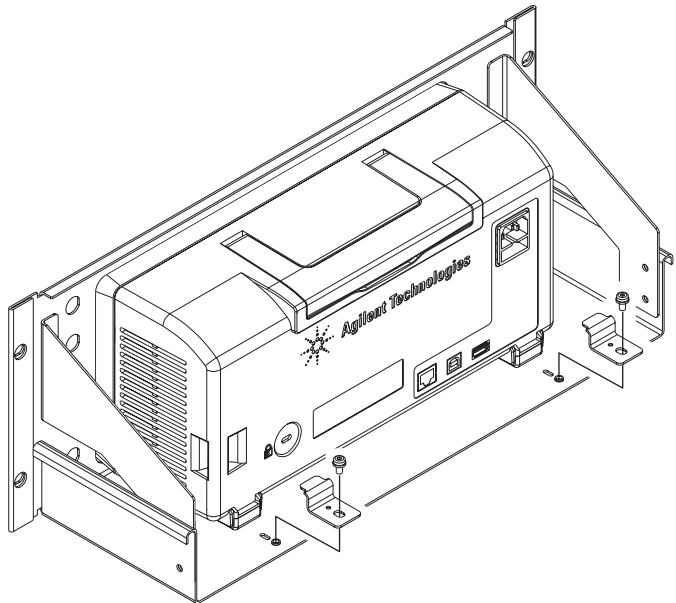
## Attach the oscilloscope to the support shelf

- 1 Place the oscilloscope on the support shelf. Slightly raise the rear of the oscilloscope and slide it fully forward until it stops.



- 2 Push the oscilloscope fully forward on the support shelf assembly.

- 3** Install the two retaining brackets that you previously removed:
  - a** Push the brackets fully forward until they stop against the oscilloscope's rear feet.
  - b** Secure each bracket using the screw you previously removed.



## Install the support shelf

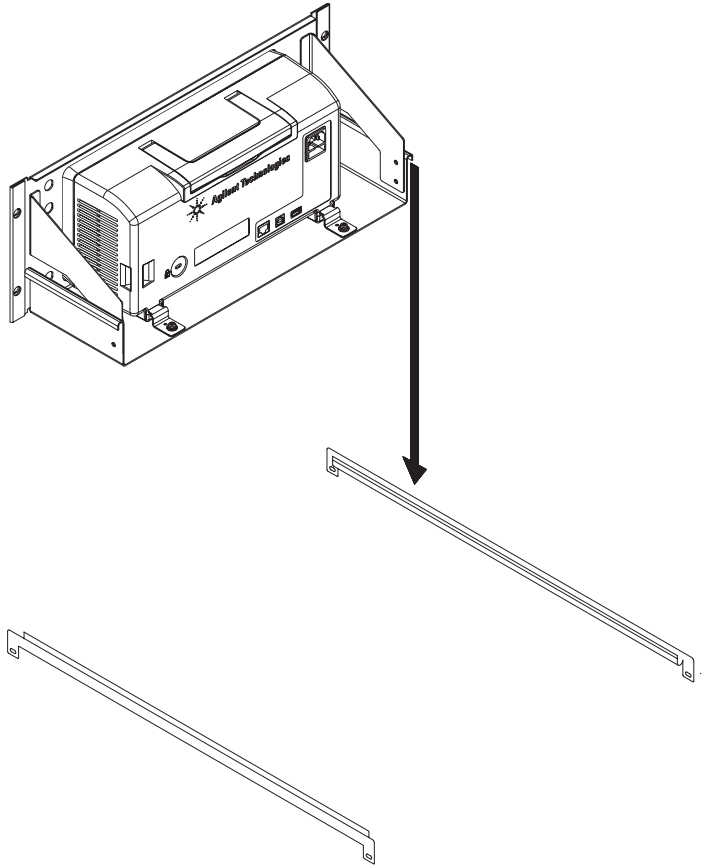
- 1 Attach the U-rails (with the side flanges down and the U-channel facing inward) to the rack cabinet.

Secure the rails using two 10-32 x 0.5 TORX screws and two sheet metal nuts for each rail.

The sheet metal nuts clip onto the rack cabinet. The U-channels on each side of the support shelf assembly sit on the U-rails in the rack cabinet.

## Installation

- 2 Set the support shelf, with the oscilloscope attached, on the U-rails.



- 3 Fasten the support shelf to the rack cabinet using four 10-32 dress screws and four sheet metal nuts.

This completes the installation.



[www.agilent.com](http://www.agilent.com)

© Agilent Technologies, Inc. 2008

Printed in Malaysia  
First edition, July 2008



N2739-92000



**Agilent Technologies**