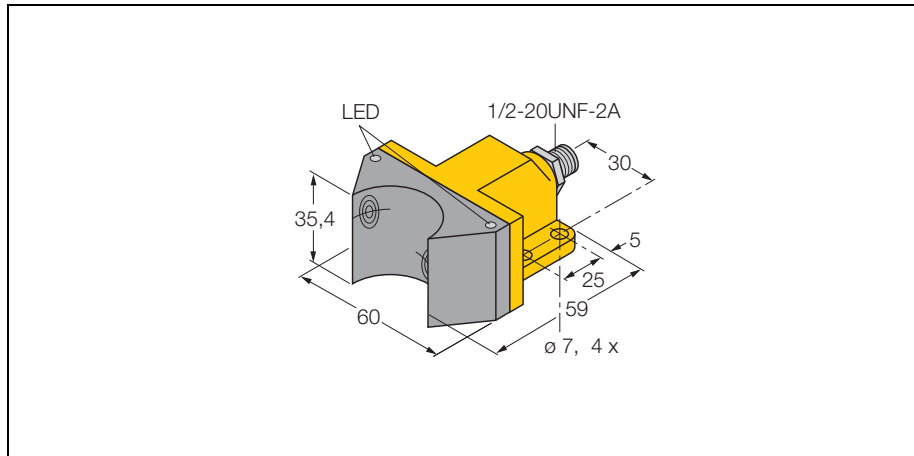
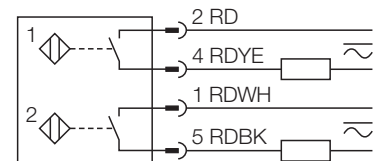


inductive
dual sensor for rotary actuators
Ni4-DSU35-2ADZ30X2-B3151



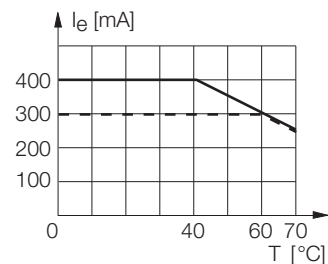
- rectangular, housing style DSU35
- plastic, PP-GF30-VO
- two outputs for monitoring the position of rotary actuators
- Mounting on all standard actuators
- AC 4-wire, 20...250 VAC
- 4-wire DC, 10...300 VDC
- 2x normally open
- connector, 1/2"

Wiring diagram



Functional principle

Inductive sensors detect metal objects contactless and wear-free. Dual sensors are especially designed for position detection in rotary actuators. They combine the reliability of non-contact inductive sensors with the flexibility of a modular housing system.



Type	Ni4-DSU35-2ADZ30X2-B3151
Ident-No.	4290014
Rated operating distance S_n	4 mm
Mounting condition	non-flush
Correction factors	St37 = 1, V2A ~ 0.7, Ms ~ 0.4, Al ~ 0.3
Repeatability	≤ 2 %
Temperature drift	≤ ± 10 %
Hysteresis	3... 15 %
Ambient temperature	-25...+ 70 °C
Operating voltage	20... 250 VAC
Operating voltage	10... 300 VDC
AC rated operational current	≤ 400 mA
DC rated operational current	≤ 300 mA
Frequency	50... 60 Hz
Residual current	≤ 1.7 mA
Rated insulation voltage	≤ 1.5 kV
Surge current	≤ 3 A (≤ 20 ms max. 5 Hz)
Short-circuit protection	yes / latching
Voltage drop at I _e	≤ 6 V
Wire breakage / Reverse polarity protection	yes / complete
Output function	4-wire, 2x NO
Smallest operating current I _m	≤ 3 mA
Switching frequency	≤ 0.02kHz
Housing	dual sensor for valve monitoring, DSU35
Dimensions	59 x 60 x 35.4 mm
Housing material	Plastic, plastic, PA12-GF20
Material active face	Plastic, plastic, PA12-GF20
Electrical connection	Connectors, 1/2"
Vibration resistance	55 Hz (1 mm)
Shock resistance	30g (11 ms)
Protection class	IP67
Switching state	2 x LEDs yellow / red

**inductive
dual sensor for rotary actuators
Ni4-DSU35-2ADZ30X2-B3151**

Accessories

Type code	Ident-No.	Short text	Dimension drawing
BTS-DSU35-EB1	6900225	Actuation kit (puck); end position damped; hole pattern on flange surface 80 x 30 mm and 130 x 30 mm; connection shaft (shaft extension) height 20 (30) mm / Ø max. 30 mm	
BTS-DSU35-EU1	6900227	Actuation kit (puck); end position undamped; hole pattern on flange surface 80 x 30 mm and 130 x 30 mm; connection shaft (shaft extension) height 20 mm / Ø max. 30 mm	
BTS-DSU35-Z01	6900229	Mounting kit for larger rotary actuators: Ø disc and snap ring max. 65 mm; hole pattern on flange surface 30 x 80 mm (30 x 130 mm); connection shaft (shaft extension) height 30 mm / Ø max. 30 mm	
BTS-DSU35-Z02	6900230	Mounting kit for larger rotary actuators: Ø disc and snap ring max. 65 mm; hole pattern on flange surface 30 x 80 mm (30 x 130 mm); connection shaft (shaft extension) height 20 (30) mm / Ø max. 40 mm	
BTS-DSU35-Z03	6900231	Mounting kit for larger rotary actuators: Ø disc and snap ring max. 110 mm; hole pattern on flange surface 30 x 130 mm; connection shaft (shaft extension) height 30 mm / Ø max. 70 mm	
BTS-DSU35-Z07	6900403	Mounting kit for larger rotary actuators: Ø disc and snap ring max. 110 mm; hole pattern on flange surface 30 x 130 mm; connection shaft (shaft extension) height 30 mm / Ø max. 75 mm	
BTS-DSU35-EBE3	6901070	Actuation kit (puck), end position damped; "open" and "closed" switch-point infinitely adjustable; hole pattern on flange surface 80 x 30 mm and 130 x 30 mm; connection shaft (shaft extension) height 20 / Ø max. 30 mm	