



Datasheet

ENGLISH

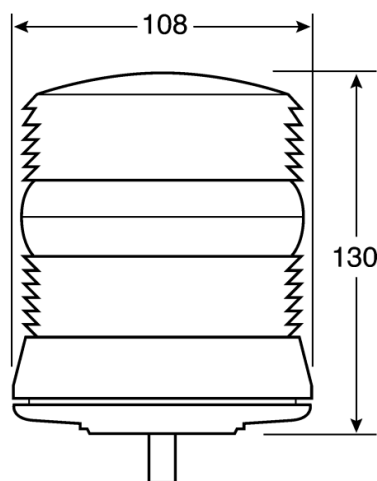
Stock No: 235-994

RS Pro Xenon Beacon, Red, Flashing, Surface Mount, 10 → 100 V dc



Image representative of range

Dimensions (mm):



Product Details

Multi-Voltage Xenon Beacons

A low current consumption beacon, weatherproof to IP56 with a broad voltage range, ideal for battery powered vehicles such as forklift trucks



ENGLISH

Broad voltage range: 10-100Vdc
Compact
Low power consumption
Rugged design, sealed to IP56
Choose from either a 2W or 6W version
Nominal flash rate: 75 fpm
Operating temperature range: -30°C to + 50 °C
130mm height
Optional wire guard available for the three point mount version

Note

Sealed units
Supplied with
Lens and bulb

Specifications:

Supply Voltage	10 → 100 V dc
Light Effect	Flashing
Lens Colour	Red
Mounting Style	Surface Mount
Bulb Type	Xenon
Current Type	DC
Base Diameter	108mm
Housing Colour	Black
Lamp Included	Yes
Series	V10991
Height	130mm
Minimum Temperature	-30°C
Maximum Temperature	+50°C