

### Switch-Disconnectors\* (O-I)



Catalogue Numbers				
Rating	Format	Sheet steel (Grey)	Stainless Steel	Encl. Size
63A	3P+N	SDG00633N	SDS00633N	1
	3P+NL	SDG00633NL	SDS00633NL	1
	6P+2E/B	SDG00636EB	SDS00636EB	2
80A	3P+N	SDGC00803N	SDSC00803N	3A
	3P+NL	SDGC00803NL	SDSC00803NL	3A
100A	3P+N	SDGC01003N	SDSC01003N	3A
	3P+NL	SDGC01003NL	SDSC01003NL	3A
125A	3P+N	SDGC01253N	SDSC01253N	4A
	3P+NL	SDGC01253NL	SDSC01253NL	4A
160A	3P+N	SDGC01603N	SDSC01603N	4A
	3P+NL	SDGC01603NL	SDSC01603NL	4A
200A	3P+N	SDGC02003N	SDSC02003N	5A
	3P+NL	SDGC02003NL	SDSC02003NL	5A
250A	3P+N	SDG02503N	SDS02503N	5
	3P+NL	SDG02503NL	SDS02503NL	5
400A	3P+N	SDG04003N	SDS04003N	6
	3P+NL	SDG04003NL	SDS04003NL	6
630A	3P+N	SDG06303N	SDS06303N	8
	3P+NL	SDG06303NL	SDS06303NL	8
800A	3P+N	SDG08003N	SDS08003N	8
	3P+NL	SDG08003NL	SDS08003NL	8
1000A	3P+N	SDG10003N	SDS10003N	10
	3P+NL	SDG10003NL	SDS10003NL	10

'N' = switched neutral (Early make, late break)  
 'NL' = Unswitched neutral (50% rated, 100% on request)

### Fuse Combination Units\* (O-I)



Catalogue Numbers				
Rating	Format	Sheet steel (Grey)	Stainless Steel	Encl. Size
32A	3P+NL	SDFG00323N	SDFS00323N	2
63A	3P+NL	SDFG00633N	SDFS00633N	2
100A	3P+NL	SDFG01003N	SDFS01003N	3
125A	3P+NL	SDFG01253N	SDFS01253N	4
160A	3P+NL	SDFG01603N	SDFS01603N	4
200A	3P+NL	SDFG02003N	SDFS02003N	5
250A	3P+NL	SDFG02503N	SDFS02503N	5
315A	3P+NL	SDFG03153N	SDFS03153N	6
400A	3P+NL	SDFG04003N	SDFS04003N	6
630A	3P+NL	SDFG06303N	SDFS06303N	8

### Changeover Switch Disconnectors (I-O-II)



Catalogue Numbers				
Rating	Format	Sheet steel	Stainless Steel	Encl. Size
63A	4P C/O	SCODGC00634	SCODSC00634	3
100A	4P C/O	SCODGC01004	SCODSC01004	3
125A	4P C/O	SCODGC01254	SCODSC01254	5
160A	4P C/O	SCODGC01604	SCODSC01604	5
200A	4P C/O	SCODGC02004	SCODSC02004	5
250A	4P C/O	SCODG02504	SCODS02504	7
400A	4P C/O	SCODG04004	SCODS04004	9
630A	4P C/O	SCODG06304	SCODS06304	9

\* Items painted Red (RAL3020) are readily available. Please contact our Sales team for further details or a brochure.



*...products for the real world*

*Most of the products in this catalogue are readily available through our stockist network.*

*Give us a call to find your nearest distributor.*

*Alternatively visit our website to find the contact details for your local Area Sales Manager who will be pleased to offer advice.*

www.craigandderricott.co.uk/content/how-to-buy



## Spares/Accessories



For electrical ratings please refer to the following pages:-  
**Type A - page 13**  
**Types B & C - Page 20**

## Auxiliary Contacts

Add-on auxiliary blocks are available for all IP65 products. Please select the blocks/kit from the tables below.  
 All auxiliaries are supplied as 1 N/O+1 N/C pair.

All N/O auxiliary contacts are early break with respect to the main poles when switching from 'On' to 'Off'.

For additional contacts or details regarding auxiliaries for Changeover Switch-Disconnectors please contact our sales team.

### Catalogue Numbers

For Switch-Disconnectors

Rating (A)	63-200	250	400-800	1000
Cat No	SAUXCO	SAUXKITB	SAUXKITC	SAUXKITD
Type	A	B	B	C

For Fuse Combination Units

Rating (A)	32-160	200-400	630
Cat No	SAUXKITA	SAUXKITC	SAUXKITD
Type	C	B	C



IEC/BS EN 60269 (BS88) fuse links

## Fuse Links

All of the Fuse Combination Units are supplied fitted with a set of fully rated IEC/BS EN 60269 (BS88) fuse links.  
 Replacement can be supplied as individual fuse links to the table below.

Fuse links can be fitted to a lower rating to suit a particular load; please refer to the rating table below to maintain the correct size/tag format (A2, A4, B1 etc.).

Rating (A)	32	63	100	125	160	200	250	315	400	630
C&D Cat. No.	SFL32	SFL63	SFL100	SFL125	SFL160	SFL200	SFL250	SFL315	SFL400	SFL630
Cooper Bussmann Cat. No.	AA032	BA063	CE0100	DE0125	DD160	DD200	ED250	ED315	ED400	FF630
Lawson Cat. No.	TIA32	TIS63	TCP100	TFP125	TF160	TF200	TKF250	TKF315	TMF400	3T630
BS fuse format	A2, A3	A2, A3	A4	A4	B1, B2	B1-B2	B1-B2	B1-B4	B1-B4	C1-C3

## Terminal Covers

Terminal protection is provided on all items for live incoming terminals; spare terminal covers are available for replacement or extending the protection to the outgoing terminals.  
 (Not available for 800A & 1000A switch-disconnectors.)



### Catalogue Numbers - individual covers

For Switch-Disconnectors

Isol Rating (A)	63-160	200	250-400	630
Cat No	Not reqd	STS1	STS2	STS4

For Fuse Combination Units

Isol Rating (A)	32-63	100-160	200-400	630
Cat No	Not reqd	STS1	STS2	STS3

## Technical Specification

## Fuse Combination Units



Data supplied against tests to BS EN 60947-3

Application	Sym	Unit	Category	Rating (A)									
				32	63	100	125	160	200	250	315	400	630
Rated thermal current	$I_{the}$	A		32	63	100	125	160	200	250	315	400	630
Rated insulation voltage	$U_i$	V		750	750	750	750	750	750	750	750	750	750
Rated impulse voltage	$U_{imp}$	kV		8	8	12	12	12	12	12	12	12	12
Rated operational current (AC)	$I_e$	A	415V - AC23A	32	63	100	125	160	200	250	315	400	630
Rated operational current (DC)*			220V - DC23A	-	-	100	125	160	200	250	315	400	630
Rated making capacity (AC23A)		A	415V, 0.35 pf	320	630	1,000	1,250	1,600	2,000	2,500	3,150	4,000	6,300
Rated breaking capacity (AC23A)		A	415V, 0.35 pf	256	504	800	1,000	1,280	1,600	2,000	2,520	3,200	5,040
Rated Conditional (Fused) short circuit		kA	S/C current rms	80	80	80	80	80	80	80	80	80	80
		A	back-up fuse	32	63	100	125	160	200	250	315	400	630
Min. mechanical endurance		-	Operations	25,000	25,000	15,000	15,000	15,000	10,000	10,000	10,000	10,000	6,000
Min. electrical endurance		-	415V - at 0.65 pf	1,500	1,500	1,000	1,000	1,000	1,000	1,000	1,000	1,000	1,000
BS fuse format				F2	F2	A4	A4	B1, B2	B1, B2	B1, B2	B1, B4	B1, B4	C1, C3
Connecting capacity		-	Terminal type										
	mm <sup>2</sup>	Min/Max		16	25	95	95	120	240	240	300	300	400
	mm	Stud/Cu palm width		-	-	8x20	8x20	8x20	10x25	10x25	10x25	10x25	12x50
	Nm	Tightening torque		3.5	5.5	9	12	16	25	30	35	45	50

\* Two poles in series

## Technical Specification

## Changeover Switch-Disconnectors



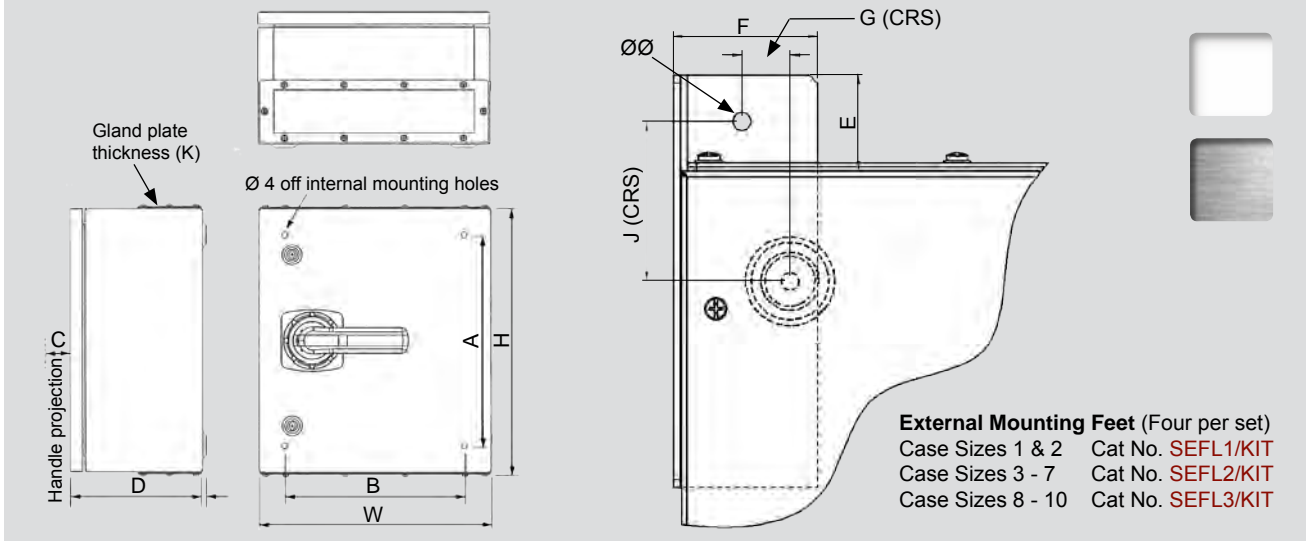
Data supplied against tests to BS EN 60947-3

Application	Sym	Unit	Category	Rating (A)								
				63	100	125	160	200	250	400	630	
Rated thermal current	$I_{the}$	A		63	100	125	160	200	250	400	630	
Rated insulation voltage	$U_i$	V		750	750	1000	1000	1000	1000	1000	1000	
Rated impulse voltage	$U_{imp}$	kV		6	6	6	6	6	12	12	12	
Rated operational current	$I_e$	A	415V - AC22A	63	100	125	160	200	250	400	630	
			415V - AC23A	63	100	125	160	200	250	400	630	
Rated making capacity (AC23A)		A	415V, 0.35 pf	630	630	1,250	1,600	2,000	2,500	4,000	6,300	
Rated breaking capacity (AC23A)		A	415V, 0.35 pf	504	504	1,000	1,280	1,600	2,000	3,200	5,040	
Short circuit current		kA	rms (with fuses)	80	80	80	80	80	100	100	80	
Rated S/C making capacity		kA	Peak	15	15	20	20	20	30	40	50	
Min. mechanical endurance		-	Operations	20,000	20,000	10,000	10,000	10,000	10,000	10,000	10,000	
Min. electrical endurance		-	415V - at 0.65 pf	2,500	1,500	1,000	1,000	1,000	1,000	1,000	500	
Connecting capacity		-	Terminal type									
	mm <sup>2</sup>	Max		35	35	95	95	95	240	300	400	
	mm	Stud/Cu palm width		6x12	6x12	8x22	8x22	8x22	10x25	10x25	12x50	
	Nm	Tightening torque		3	3	10	10	10	30	45	50	

**Auxiliary Blocks** Data supplied against tests to BS EN 60947-1

	Sym.	Category	Auxiliary blocks type 'B'	Auxiliary blocks type 'C'
Thermal current	$I_{in}$		10A	10A
Rated insulation voltage	$U_i$		660V a.c. or d.c.	500V
Utilisation Category	-	AC15	6.0A at 120V, 4.0A at 250V, 2.0A at 660V	240V - Make 30A, Break 3A 480V - Make 15A, Break 1.5A
		DC13	1.0A at 120V, 0.5A at 240V, 0.1A at 660V	240V - Make 30A, Break 3A 480V - Make 15A, Break 1.5A
		Pure Resistive	10A	-

## Hinged Lid Enclosures



**Enclosure Sizes**

Dim	1	2	3	3A	4	4A	5	5A	6	7	8	9	10
H	250	250	400	350	500	400	550	550	750	750	900	900	1000
W	250	300	350	300	350	300	450	400	450	600	600	600	750
D	100	200	200	175	200	175	250	175	275	300	300	400	300
A	170	170	320	270	420	320	470	470	670	670	820	820	920
B	170	220	270	220	270	220	370	320	370	520	520	520	670
C	40	67	67	67	67	67	67	67	67	67	67	67	67
K	1.5	1.5	1.5	2.0	1.5	2.0	2.0	2.0	2.0	2.5	2.5	2.5	2.5
Ø	6.5	6.5	8.5	8.5	8.5	8.5	8.5	8.5	8.5	8.5	10.5	10.5	10.5

**External Feet**

E	35	35	35	35	35	35	35	35	35	35	35	35	35
F	53	58	58	58	58	58	58	58	58	58	58	58	58
G	18	18	13	13	13	13	13	13	13	13	13	13	13
J	58	58	58	58	58	58	58	58	58	58	58	58	58
ØØ	6.5	6.5	8.5	8.5	8.5	8.5	8.5	8.5	8.5	8.5	10.5	10.5	10.5



*...products for the real world*

## Enclosure Data

- Materials**  
 IP41 items Sheet steel  
 IP65 items Sheet steel or stainless steel
- Finish**  
 IP41 & IP65 Sheet steel, iron phosphate pre treatment with a powder coat RAL 7035 (Light grey) textured finish.  
 IP65 Stainless steel, grade 304 with a brushed finish.
- Hinges** Metal with quick release pins.
- Door Locks** All metal locks supplied with one key per enclosure.  
 Enclosures 1 & 2 IP41 - 2 screw fixings  
 IP65 - 1 lock  
 Enclosures 3 - 9 IP41 & IP65 - 2 locks  
 Enclosure size 10 IP41 & IP65 - 3 locks
- Gland plates** All enclosures are supplied with a removable gland plate on top & bottom faces finished to match the enclosure.
- Chassis plate** Above enclosure size 1, all assemblies have the switching element mounted on a removable chassis plate. Matl.- 2mm zinc plated steel.