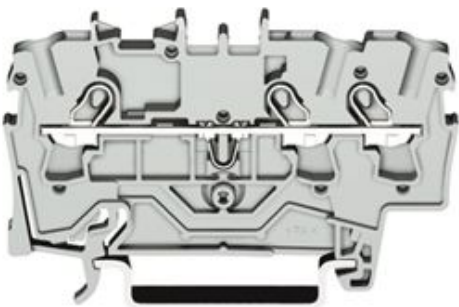


---

Item no.: 2006-1302  
Product description: 3-Conductor through terminal block suitable for Ex e applications

---



Produkt kann von Bild abweichen / product may differ

Packing unit 25 pieces

RoHS compliant

Current intensity EN	57 A
Product group	22 (TOPJOB S RAIL-MOUNTED TERMINAL BLOCKS)
Cross section [mm <sup>2</sup> ]	0.5 - 6 mm <sup>2</sup>
Cross section [AWG]	20 - 8 AWG
Connection method	CAGE CLAMP®S Connection
Cross section [mm <sup>2</sup> ]	0.5 - 10 mm <sup>2</sup>
Cross section [AWG]	20 - 8 AWG
Wiring method	s + f-st
Connection method	CAGE CLAMP®S Connection
Measured voltage EN	800 V
Measured shock voltage	8 kV
Pollution degree	3
Current intensity EN	41 A
Rated voltage EN (Ex e II)	550 V
Nominal current (Ex e II)	36 A
Weight	11.845 g
Color	orange
Wiring type	Front-entry

No. of connection Points	3
No. of potentials	1
Height	33 mm
Height	1.299 in



Width	7.5 mm
Width	0.295 in
Depth	73.5 mm
Depth	2.89 in
Strip length from	13 mm
Strip length to	15 mm
Strip length	0.55 in
Customs Tariff No.	85369010
Country of Origin	Deutschland
Mounting	TS 35



Item number	Admission office	Approval no.	Voltage [V]	Current [A]	Cross section [ mm <sup>2</sup> ]
2006-1302	ABS	05-HG476175/3-PDA	800	41	0,5-16
2006-1302	CCA	NL6342	800	41/57	0,5-6/10
2006-1302	CSA	154112-1543858	600	50	20-8
2006-1302	DNV	E-10423	800	41	0,5-10
2006-1302	GL	26187-05HH	800	41	0,5-6
2006-1302	KEMA	NL2115558.02	800	41	0,5-6
2006-1302	LR	91/20112(E6)	800	41	0,5-10
2006-1302	PRS	TE/1718/880590/08	800	41	0,5-10
2006-1302	PTB	IECExPTB05.0014U	550	33	0,5-10
2006-1302	PTB	PTB05AteX1030U	550	33	0,5-10
2006-1302	RosTest	8189158	550	33	0,5-10
2006-1302	UR	E45172	600	50	20-8

Sorting criteria: admission office - approval number

© WAGO Kontakttechnik GmbH & Co. KG

Specifications are subject to changes and errors may be expected