

Product Datasheet

Intrinsically Safe Flashlight

**Description:**

#8903008 is a portable, hand-held intrinsically safe flashlight for use in hazardous locations and can be powered with three size C alkaline cells. It has high and low mode operating functions that allows users to operate for

high brightness or long duration lighting.

Features:

- Intrinsically safe for use in hazardous locations
- High and Low mode functions
- Use high power CREE LED
- Water Proof
- Tough and durable casing
- High efficient heatsink
- Screw fastener for safety precautions
- Build-in gas release vent
- With pocket / belt clip – 2 different carry ways.



Specification: (Factory Standard):

ENGLISH

Specs	High mode	Low mode
Light Output	130 lm	65 lm
Run Time	55 hr	98 hrs
Beam Distance	140 m	100 m
Drop Resistance	1 meter	
IP Rating	IP67	
Dimension	225 * 60 * 85 mm	
Weight	190 g	



Certifications:



Class I Div 1&2 Grp ABCD / Class II Div 1&2 Grp EFG
Class III / Temperature Code T4 IP68 (3 meters 30 mins for IPX8)
File number: E324236



II 1G Ex ia IIC T4 IP68 (3 meters 30 mins for IPX8)
DEMKO 14 ATEX 1289X

IECEX

Ex ia IIC T4 Ga IP68 (3 meters 30 mins for IPX8)
IECEX UL 14.0024X

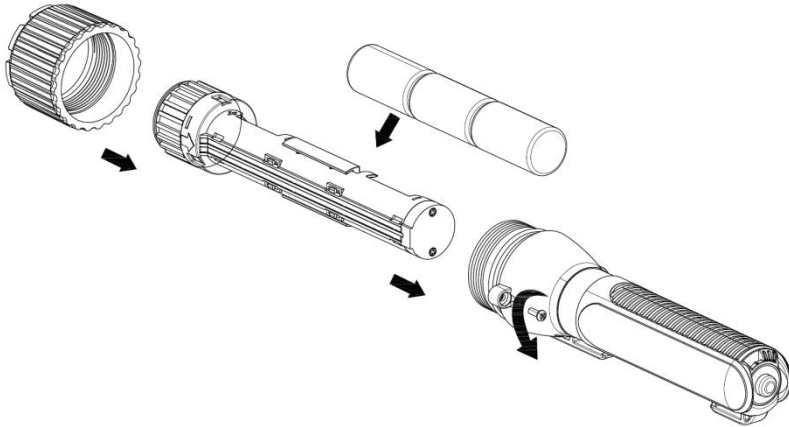


0518

Standards:

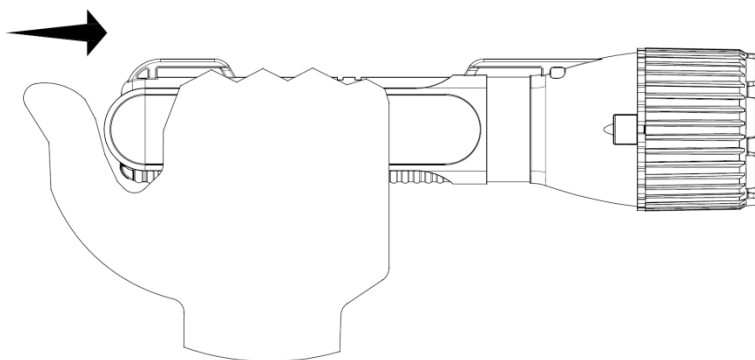
1. UL 913, Seventh Edition
2. CSA C22.2 No.157-92, Reaffirmed 2012
3. EN 60079-0 : 2009 Edition
4. EN 60079-11 : 2012 Edition
5. EN 60079-26 : 2007 Edition
6. IEC 60079-0 : Fifth Edition
7. IEC 60079-11 : Sixth Edition
8. IEC 60079-26 : Second Edition

Installation:



Operation:

Push rear button to operate.





Battery Replacement:

Use only battery types below:

Alkaline type

Energizer E93

Duracell MN1400

Rayovac 814

Rayovac AL-C

Varta 4914

Warning: Do not open in hazardous locations.

Warning: Replace batteries only in non-hazardous areas.

Warning: To reduce the risk of explosion do not mix new batteries with used batteries, or mix batteries from different manufacturers or from different types.

Warning: Remove the batteries when unused for a period of time to prevent battery leakage in the device.

Warning: Substitution of components may impair intrinsic safety.

Safety Warnings:

1. The screw shall be secured tightly after opening and closing of the enclosure.
2. Clean the flashlight only with damp cloth to avoid static electricity.
3. Do not flash the light beam directly to human's eyes.
4. Always use the device following the regulations of each country.