
**Ordering number** C12049  
**Description** 1

Family Strada-Forward  
 Type Lens  
 LED NVSxx19A  
 Color Clear  
 Diameter 15.4 x 19.6 mm  
 Height 8.2 mm  
 Style Rectang  
 Optic Material PMMA  
 Holder Material -  
 Fastening -  
 Status Ready

FWHM Asym degrees  
 Efficiency 92 %  
 cd/lm -  
 Gerber File Available

[http://www.ledil.fi/Strada-F\\_Fully\\_Asymmetrical\\_Forward\\_Thro](http://www.ledil.fi/Strada-F_Fully_Asymmetrical_Forward_Thro)

**Ordering number** CA12050  
**Description** 1

Family Strada-Forward  
 Type Assembly  
 LED NVSxx19A  
 Color Clear  
 Diameter 15.4 x 19.6 mm  
 Height 8.35 mm  
 Style Rectang  
 Optic Material PMMA  
 Holder Material -  
 Fastening -  
 Status Ready

FWHM Asym degrees  
 Efficiency 92 %  
 cd/lm -  
 Gerber File Available

[http://www.ledil.fi/Strada-F\\_Fully\\_Asymmetrical\\_Forward\\_Thro](http://www.ledil.fi/Strada-F_Fully_Asymmetrical_Forward_Thro)



**PRODUCT DATASHEET**  
**Strada-Forward series**  
last update 31/12/2012



**NOTE: The typical divergence will be changed by different color, chip size and chip position tolerance. The typical total divergence is the full angle measured where the luminous intensity is half of the peak value.**

D

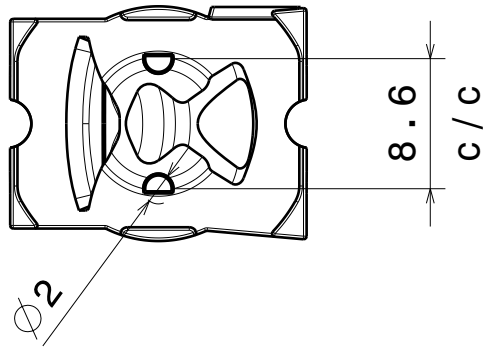
C

B

A

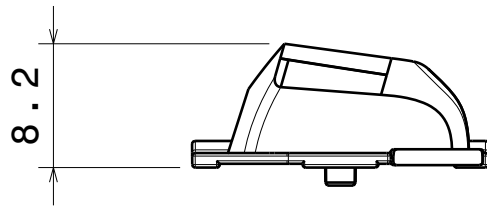
4

4



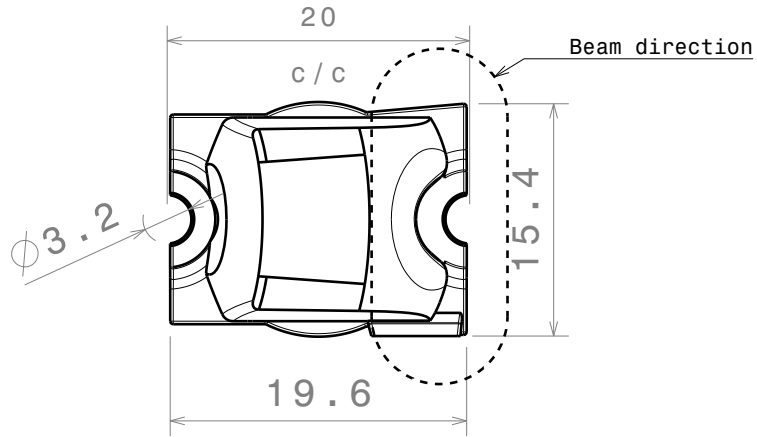
3

3



2

2



MATERIALS  
 Lens: PMMA

This drawing is our property.  
 It can't be reproduced  
 or communicated without  
 our written agreement.



Ledil Oy  
 Salorankatu 10  
 24240 SALO  
 Finland

DRAWING TITLE

Datasheet Strada-FT lens

DRAWN BY  
 ah

DATE  
 6.7.2012

CHECKED BY  
 ah

DATE  
 6.7.2012

SIZE  
 A4

DRAWING NUMBER

REV  
 2

DESIGNED BY  
 hh

DATE  
 15.3.2011

SCALE 2:1 WEIGHT (g)

SHEET 1/1

D

A

1

1