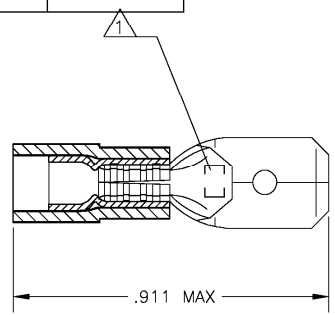


THIS DRAWING IS UNPUBLISHED. RELEASED FOR PUBLICATION
 © COPYRIGHT BY TYCO ELECTRONICS CORPORATION. ALL RIGHTS RESERVED.

LOC	DIST	REVISIONS			
F	LTR	DESCRIPTION	DATE	DWN	APVD
G	86	C	REV PER 0G3A-0556-03	08SEP03	JR TM

AMP WIRE RANGE	FILE E66717	LR7189 Certified
22-18 AWG STRANDED	22-18 AWG STRANDED	22-18 AWG STRANDED



- 1 MARKED AMP 22-18
- 2 DESIGNED FOR WIRE INSULATION DIA OF .080-.115
- 3 BODY: .016±.001 THK BRASS, TIN PL. SLEEVE: NYLON, RED
- 4 RATED FOR 10 MAX AMPERE
- 5 PRELIMINARY - NOT FOR PRODUCTION

100	LOOSE PIECE	8-696362-1
4000	ON TAPE	5 696362-2
1000	LOOSE PIECE	696362-1
QTY	PACKAGE TYPE	PART NO.

TYCO ELECTRONICS CUSTOMER SERVICE SYSTEM FOR ADDITIONAL PRODUCT INFORMATION OR COPIES OF DRAWING AND TECHNICAL DOCUMENTS FOR APPLICATION TOOLING ASSISTANCE CENTER FOR ORDER ENTRY		MAX. RECOMMENDED OPERATING TEMPERATURE: 105°C [221°F] VOLTAGE RATING: 300V MAX CIRCULAR MIL AREA: 509-1,800 STRANDED	THIS DRAWING IS A CONTROLLED DOCUMENT. DIMENSIONS: INCHES TOLERANCES UNLESS OTHERWISE SPECIFIED: 0 PLC ±- 1 PLC ±- 2 PLC ±- 3 PLC ±.008 4 PLC ±- ANGLES ±- MATERIAL: - 3 FINISH: - 3	DWR: JR RUTH CHK: T. MICHIPLUTTI APVD: T. MICHIPLUTTI PRODUCT SPEC: 114-13076 APPLICATION SPEC: 114-13076 WEIGHT: - CUSTOMER DRAWING	Tyco Electronics Corporation Harrisburg, PA. 17057 NAME: TAB, 250 SERIES, FASTON, PIDG, WIRE: 22-18 AWG SIZE: A3 CAGE CODE: 00779 DRAWING NO: C-696362 RESTRICTED TO: - SCALE: 4:1 SHEET: 1 OF 1 REV: C
--	--	---	--	--	---