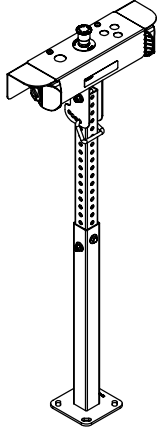
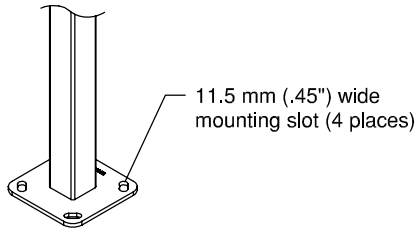


Telescoping Stands and Brackets for DUO-TOUCH[®] Run Bar with STB Buttons

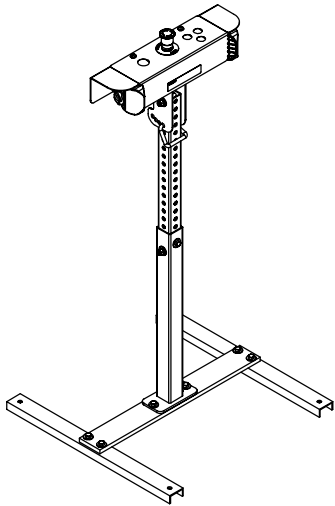
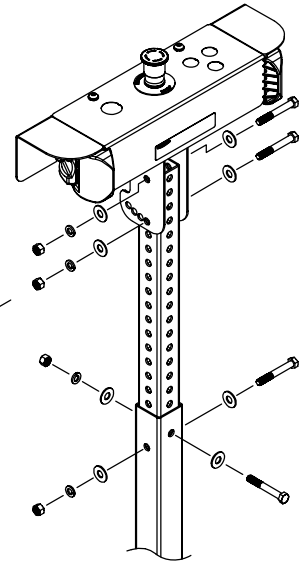
Telescoping Stands



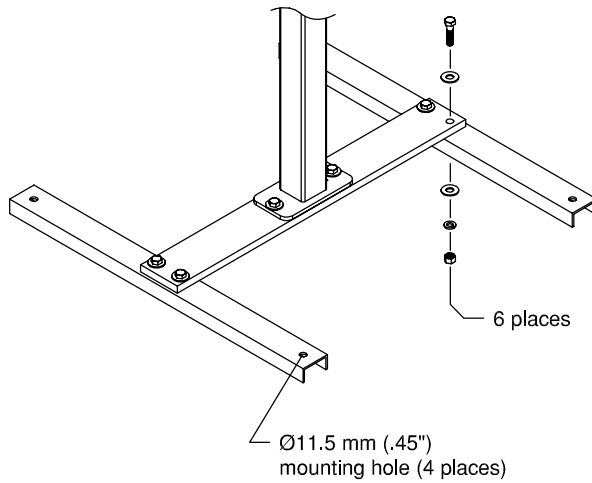
Model: STBA-RB1-S1



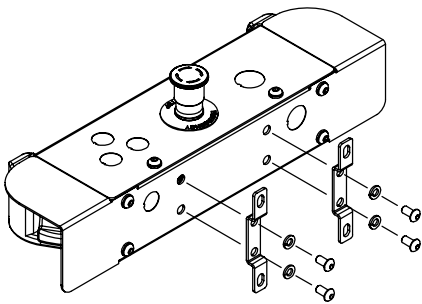
Locking Pin (provided)
Used instead of bolt to allow easy rotational adjustment in 10° increments



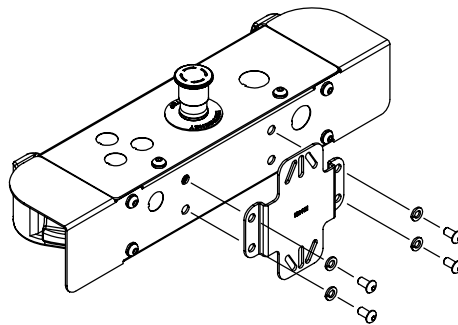
Model: STBA-RB1-S2



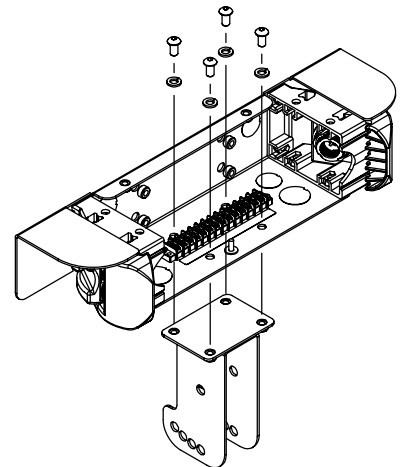
Mounting Brackets



Model: STBA-RB1-MB1

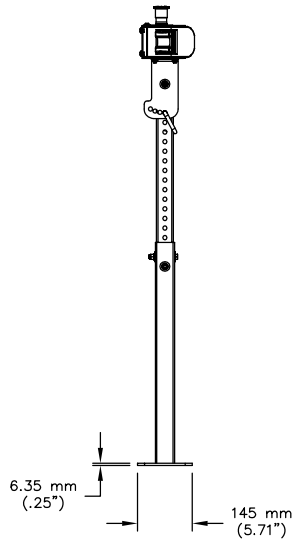


Model: STBA-RB1-MB2

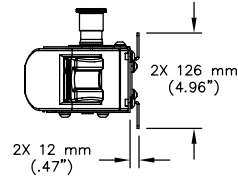
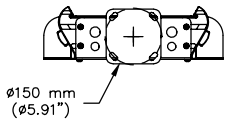
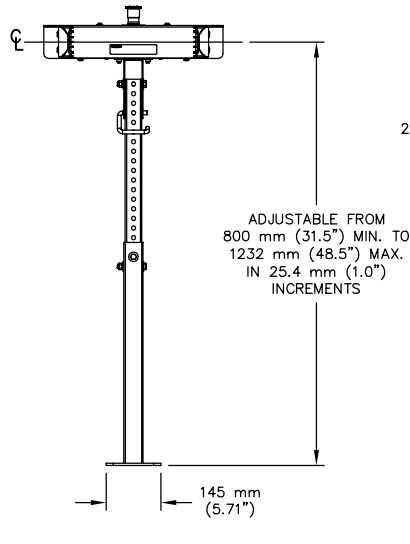


Model: STBA-RB1-MB3

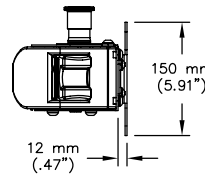
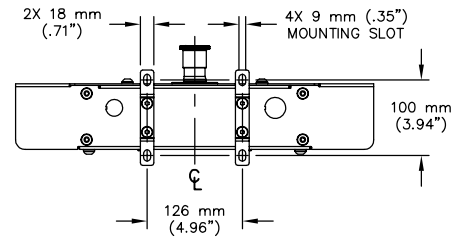
Dimensions



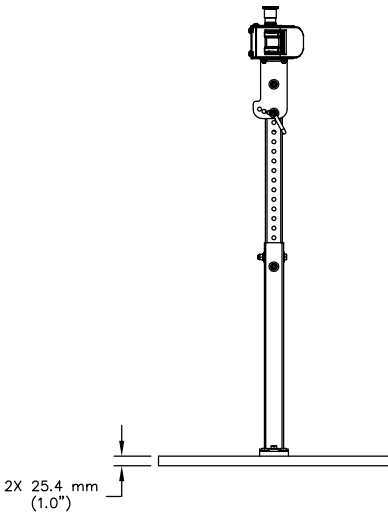
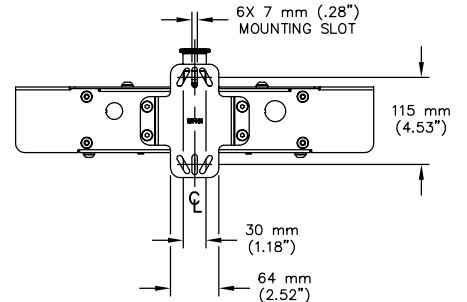
Model: STBA-RB1-S1



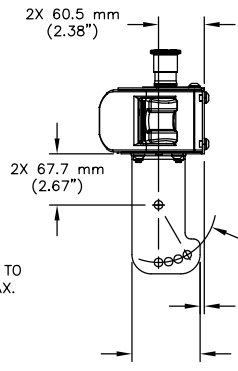
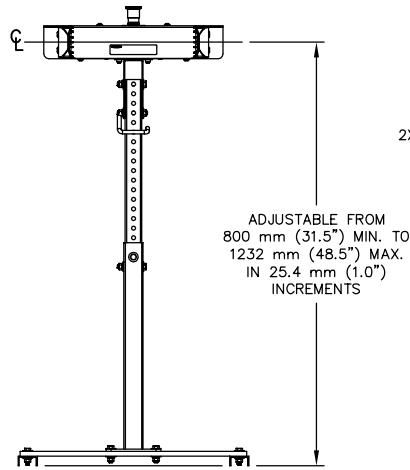
Model: STBA-RB1-MB1



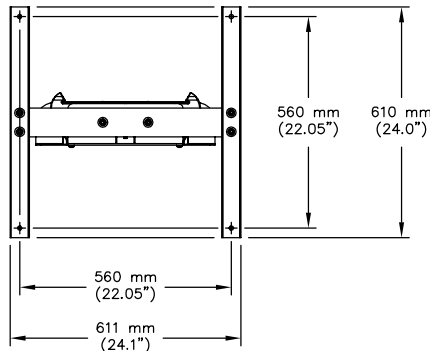
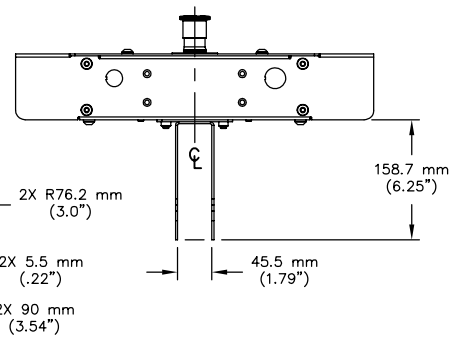
Model: STBA-RB1-MB2



Model: STBA-RB1-S2



Model: STBA-RB1-MB3



WARRANTY: Banner Engineering Corp. warrants its products to be free from defects for one year. Banner Engineering Corp. will repair or replace, free of charge, any product of its manufacture found to be defective at the time it is returned to the factory during the warranty period. This warranty does not cover damage or liability for the improper application of Banner products. This warranty is in lieu of any other warranty either expressed or implied.