

GENERAL TOLERANCE

DIM. RANGE	0.5 ~ 3	> 3 ~ 6	> 6 ~ 30	> 30 ~ 120	> 120 ~ 400
TOLERANCE	±0.1	±0.1	±0.2	±0.3	±0.5

REVISIONS		
LTR	DESCRIPTION	DATE

PV-670803-000

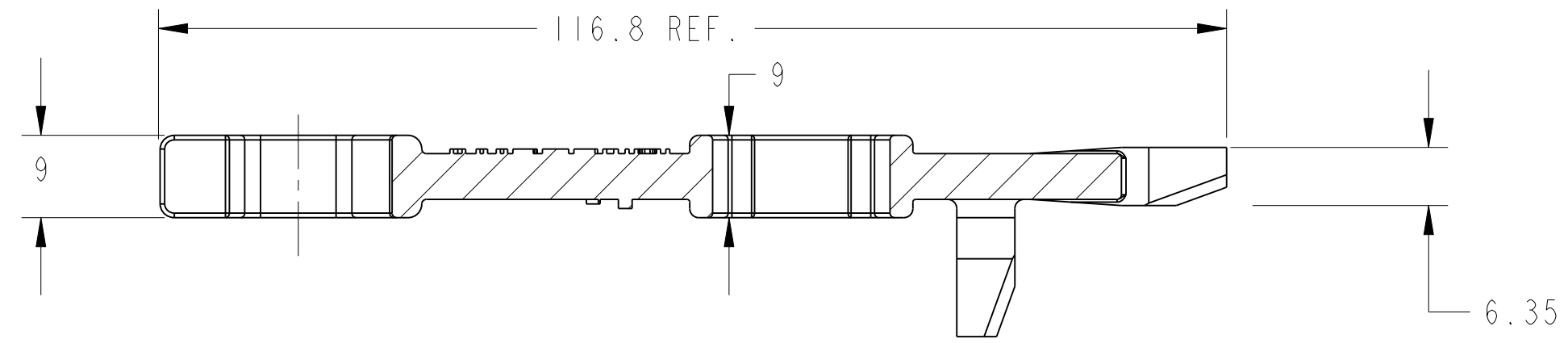
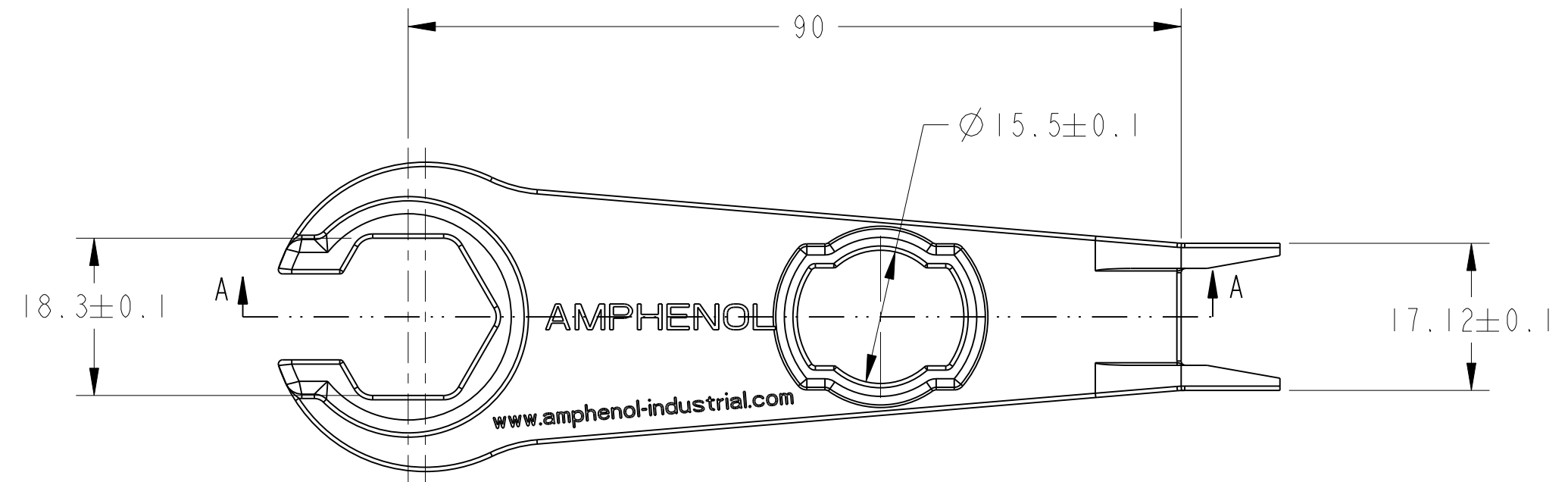
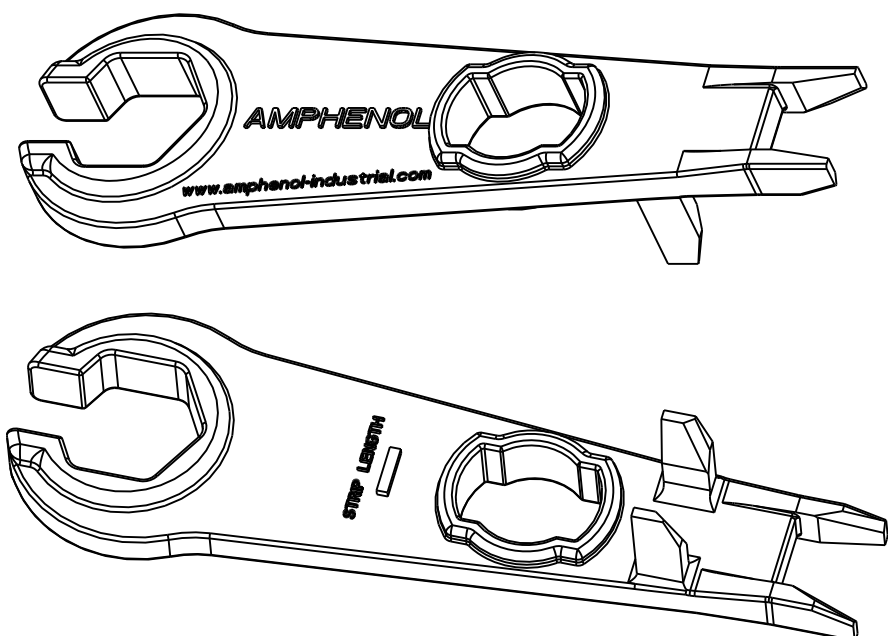
SHEET 1 OF 1

REV. C

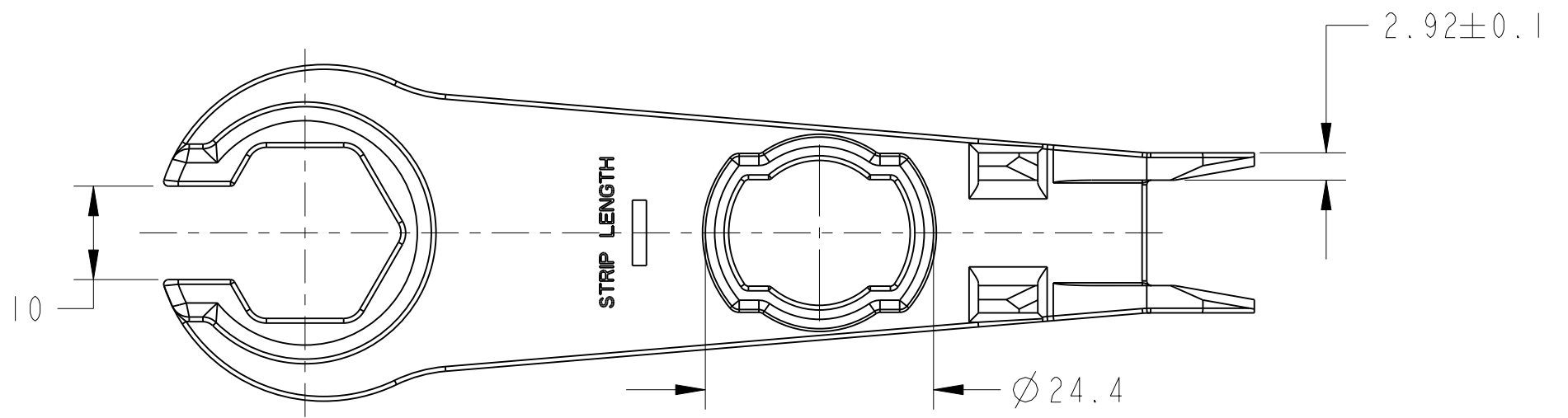
C

B

A



SECTION A-A
SCALE 1.500



CUSTOMER DRAWING

2, MATERIAL: PA66 30% GF, BLUE, 286C

1, THE REFERENCED MATERIAL SHALL BE CERTIFIED COMPLIANT TO THE 2002/95/EC ROHS DIRECTIVE AS AMENDED PER 2005/618/EC

NOTES:

THIS DOCUMENT CONTAINS PROPRIETARY INFORMATION AND SUCH INFORMATION MAY NOT BE DISCLOSED TO OTHERS FOR ANY PURPOSE OR USED FOR MANUFACTURING PURPOSES WITHOUT WRITTEN PERMISSION FROM THE AMPHENOL CORP.

N/A

NEXT ASSEMBLY

METRIC DOCUMENT

PRO/ENGINEER INFORMATION

Pro/e Model Used:

PV-670803-000.PART

Drawing Name:

PV-670803-000

UNLESS OTHERWISE SPECIFIED	SPECIFICATIONS	POS	QTY	PART NUMBER	DESCRIPTION	NOTE
LINEAR DIMENSIONS ARE IN: MILLIMETERS TOLERANCES: ANGLES= ±2° DEFAULT LINEAR TOLERANCES SEE TABLE DIM. & TOL. PER ASME Y14.5M-1994; DRW PER MIL-DTL-31000; OTHER AMPHENOL STANDARDS: 9-9318 LEGENDS: △=FLAG NOTE CALL OUT REFERENCE ONLY	MATERIAL SPEC.	APPROVALS		DATE	PARTS LIST	
	PA66, 30% GF BLUE, 286C	Wesley Yuan	Patrick Bruning	04-Mar-09	AMPHENOL INDUSTRIAL OPERATIONS Block 5, Fuan 2nd Industrial Park, Dayang Road, Dayang Development Zone, Fuyong Town, Baoan, Shenzhen, PRC	
PROCESS SPEC.	THIRD ANGLE PROJECTION		C&I		WRENCH TOOL FOR SOLAR CONNECTOR	
-	-			SIZE	CAGE CODE	DOCUMENT NO.
-	-	-		C	77820	PV-670803-000
				SCALE: 1.0	REV.	SHEET 1 OF 1
				-	C	

FORMAT: C-L-E-Rev-B

DOCUMENT NO. PV-670803-000

SHEET 1 OF 1

REV. C

REV. C

SHEET 1 OF 1

PV-670803-000

A