

**JUMO GmbH & Co. KG**  
 Delivery address: Mackenrodtstraße 14  
 36039 Fulda, Germany  
 Postal address: 36035 Fulda, Germany  
 Phone: +49 661 6003-0  
 Fax: +49 661 6003-607  
 E-mail: mail@jumo.net  
 Internet: www.jumo.net

**JUMO Instrument Co. Ltd.**  
 JUMO House  
 Temple Bank, Riverway  
 Harlow, Essex CM20 2DY, UK  
 Phone: +44 1279 635533  
 Fax: +44 1279 635262  
 E-mail: sales@jumo.co.uk  
 Internet: www.jumo.co.uk

**JUMO Process Control, Inc.**  
 6733 Myers Road  
 East Syracuse, NY 13057, USA  
 Phone: 315-437-5866  
 1-800-554-5866  
 Fax: 315-437-5860  
 E-mail: info.us@jumo.net  
 Internet: www.jumousa.com



# JUMO TYA 201

## Single-Phase SCR Power Controller

### For controlling resistive/inductive loads

The JUMO TYA 201 represents a consistent further development of the JUMO power controller technology. The micro-processor controlled power controller displays all parameters in a back-lighted LCD display and is operated using the 4 keys on the front.

SCR power controllers are employed where larger resistive and inductive loads have to be switched, e.g. in industrial kiln construction and in plastics processing. The SCR power controller comprises two SCRs connected in anti-parallel, the insulated cooling body and the control electronics.

SCR power controllers up to a load current of 32 A can either be clipped onto a 35 mm mounting rail or fitted to the wall with a mounting plate.

Units with a load current greater than 32A have to be fitted to the wall.

Depending on their configuration via the setup program, the SCR power controllers operate with phase-angle control, in burst-firing mode or in half-wave operation.

In burst-firing mode, the phase angle can be cut back for the first half-cycle, for driving transformer loads.

Available subordinate controls are U, U<sup>2</sup>, I, I<sup>2</sup> and P control.

Use of a subordinate control ensures that fluctuations in the supply voltage do not affect the control loop during the control process.

It is possible to preset a base load and a max. output level.

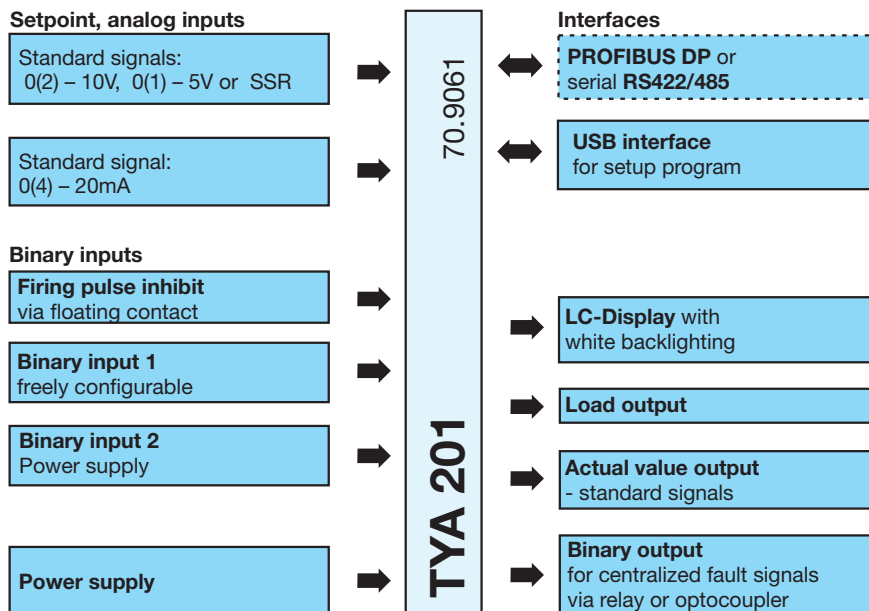
During a soft start, the default phase angle of the controller is reached slowly, starting at 180 degrees, in order to avoid high starting or inrush currents.

The SCR power controllers comply with the operating conditions according to DIN EN 50178. Grounding is required in conformity with the regulations of the responsible electrical utility company.



Type 709061/ ...

## Block diagram



Extra code

## Approvals/approval marks (see "Technical data")



2012-12-31/00561067

## Special features

- Phase angle control and burst-firing mode
- Half-wave operation for vibrators
- LCD display with info line
- Simple configuration of the device via clear text display in the operator's language
- Setup program for configuration via USB interface
- Transmission of the setup data is also possible without voltage supply to the unit (supply via USB port)
- Close installation is possible
- Mains load optimization through dual energy management
- RS422/485 interface or
- PROFIBUS DP for connection to process control systems
- Soft start function with current limiting
- Soft start function with pulse groups
- Resistance monitoring and limitation for MoSi<sub>2</sub> heating elements
- All versions in protection rating IP20
- Load monitoring for the detection of partial load failure or load short circuit "teach-in"
- Integrated diagnosis systems such as rotary-field detection
- UL Approval submitted

**JUMO GmbH & Co. KG**  
 Delivery address: Mackenrodtstraße 14  
 36039 Fulda, Germany  
 Postal address: 36035 Fulda, Germany  
 Phone: +49 661 6003-0  
 Fax: +49 661 6003-607  
 E-mail: mail@jumo.net  
 Internet: www.jumo.net

**JUMO Instrument Co. Ltd.**  
 JUMO House  
 Temple Bank, Riverway  
 Harlow, Essex CM20 2DY, UK  
 Phone: +44 1279 635533  
 Fax: +44 1279 635262  
 E-mail: sales@jumo.co.uk  
 Internet: www.jumo.co.uk

**JUMO Process Control, Inc.**  
 6733 Myers Road  
 East Syracuse, NY 13057, USA  
 Phone: 315-437-5866  
 1-800-554-5866  
 Fax: 315-437-5860  
 E-mail: info.us@jumo.net  
 Internet: www.jumousa.com



## Technical data

### Voltage supply, load current

Code	Voltage supply for control electronics = max. load voltage	Fan specifications Type 709061/X-0X-250...
024	AC 24V -20%...+15%, 45 ...63 Hz	AC 24V/30VA
042	AC 42V -20%...+15%, 45 ...63 Hz	AC 24V/30VA
115	AC 115V -20%...+15%, 45 ...63 Hz	AC 115V/30VA
230	AC 230V -20%...+15%, 45 ...63 Hz	AC 230V/30VA
265	AC 265V -20%...+15%, 45 ...63 Hz	AC 230V/30VA
400	AC 400V -20%...+15%, 45 ...63 Hz	AC 230V/30VA
460	AC 460V -20%...+15%, 45 ...63 Hz	AC 230V/30VA
500	AC 500V -20%...+15%, 45 ...63 Hz	AC 230V/30VA
Load current $I_{L\ rms}$	AC 20, 32, 50, 100, 150, 200, 250A	
Load type	Resistive and resistive/inductive loads	
Control section power consumption	max. 20 VA	

### Analog inputs

Control signal	0(4) ... 20mA	$R_i = 50\ \Omega$
	0(2) ... 10V	$R_i = 25\ k\Omega$
	0(1) ... 5V	$R_i = 25\ k\Omega$
Default set point value	Via standard signals (current, voltage) or interface	
	Base load:	Output as minimum control value
	Maximum control value:	Output as maximum control value
Example P control:		

### Binary inputs

Binary input 1, 2	For connection to potential-free contact or optocoupler, voltage proof up to DC 12V
-------------------	---

### Binary outputs, actual value output

Relay (changeover contact) without contact suppression	150000 switching actions at a contact rating of 3A/230V 50Hz (resistive load)
Optocoupler output	$I_{Cmax} = 2\ mA$ , $U_{CE0max} = 32\ V$
Actual value output	Switched off as standard. For standard signal, voltage: 0 ... 10V, 2 ... 10V, 0 ... 5V to 1 ... 5V For standard signal, current: 0 ... 20mA to 4 ... 20mA (burden max. 500Ω) Depending on the device type, the output of various internal measuring values such as load current, load voltage or power is possible.

Thyristor firing request:	setpoint specification Current input (current proof up to 25mA)	setpoint specification Voltage input (voltage proof up to DC 32V)	setpoint specification Binary input1, 2 (voltage proof up to DC 32V)	via Interface
continuous	The power controller provides the power for the load continuously depending on the default setpoint value.		-	possible
logic (Solid State Relais SSR)	The power controller acts like a switch and provides the power by either switching ON or OFF. The switching level is always in the middle of the selected input range. At 4 to 20mA it is 12mA, at 0 to 10V it is 5V.		OFF logic level „0“ = 0 to +0,8V; ON logic level 1 = +2 to 3,3V	possible

**JUMO GmbH & Co. KG**

Delivery address: Mackenrodtstraße 14  
36039 Fulda, Germany  
Postal address: 36035 Fulda, Germany  
Phone: +49 661 6003-0  
Fax: +49 661 6003-607  
E-mail: mail@jumo.net  
Internet: www.jumo.net

**JUMO Instrument Co. Ltd.**

JUMO House  
Temple Bank, Riverway  
Harlow, Essex CM20 2DY, UK  
Phone: +44 1279 635533  
Fax: +44 1279 635262  
E-mail: sales@jumo.co.uk  
Internet: www.jumo.co.uk

**JUMO Process Control, Inc.**

6733 Myers Road  
East Syracuse, NY 13057, USA  
Phone: 315-437-5866  
1-800-554-5866  
Fax: 315-437-5860  
E-mail: info.us@jumo.net  
Internet: www.jumousa.com



## General characteristic data

Circuit options	<ul style="list-style-type: none"> <li>- Single-phase operation</li> <li>- Star connection with accessible star point</li> <li>- Open delta connection (6-wire connection)</li> <li>- Free-running economy circuit (star or delta), only with cascade P control in burst-firing mode</li> <li>- Three-phase economy circuit in master/slave operation</li> </ul>
Operating modes	<ul style="list-style-type: none"> <li>- Phase-angle control for resistive and transformer loads with soft start</li> <li>- Burst-firing mode for resistive load or transformer load</li> </ul>
Special features	<ul style="list-style-type: none"> <li>- Free-running economy circuit for resistive loads</li> <li>- Dual energy management</li> <li>- Half-wave control</li> <li>- Soft start with pulse groups</li> </ul>
Subordinate control loop	U <sup>2</sup> control as standard Can be switched over to U, I, I <sup>2</sup> , P control depending on device type
Electrical connection	For type 709061/X -0X-020... Control and load leads are connected via screw terminals. From type 709061/X -0X-032... Control leads are connected via screw terminals and load leads via cable lugs DIN 46235 and DIN46234 or tubular cable lugs.
Operating conditions	The controller is designed as a panel-mounting device according to: EN 50 178, pollution degree 2, overvoltage category Ü III
Electromagnetic compatibility	According to DIN 61326-1 Emitted interference: Class B Interference resistance: Industrial requirements
Protection rating	All device types IP20 according to EN 60 529
Protection rating	Protection rating I, with isolated control circuitry for connection to SELV circuits
Permissible ambient temperature range	35°C with forced air cooling (250A controller) 0 ... 45°C with natural air cooling (extended temperature range class 3K3 according to EN 60 721-3-3) At higher temperatures, operation with reduced type current is possible. (from 45°C with type current -2%/°C)
Permissible storage temperature range	-30 ... +70°C (1K5 according to EN 60 721-3-1)
Cooling	<ul style="list-style-type: none"> <li>- Natural convection up to a load current of 200A</li> <li>- For a load current of 250A, forced convection with built-in ventilator</li> </ul>
Environmental performance	Rel. humidity ≤ 85 % annual average, no condensation 3K3 according to EN 60 721
Installation position	Vertical
Test voltage	According to EN 50178
Creepage distances	8 mm between supply current circuit and SELV circuits for type 709061/X -0X-020... 12.7 mm between supply current circuit and SELV circuits from type 709061/X -0X-032... SELV = Separate Extra Low Voltage (safe low voltage)
Case	Plastic, flammability class UL94 V0, color: Cobalt blue RAL 5013
Power dissipation	The power dissipation can be calculated using the following empirical formula: $P_v = 20W + 1.3V \times I_{Load} A$
Maximum temperature of the cooling body	110°C

Type (Load current)	20A	32A	50A	100A	150A	200A	250A
Weight	approx. 1.1 kg	approx. 2.1 kg	approx. 2.7 kg	approx. 3.8 kg	approx. 8.5 kg	approx. 9.5 kg	approx. 10.2 kg

## Approvals/approval marks

Approval mark	Testing agency	Certificates / certification numbers	Inspection basis	Valid for
c UL us	Underwriters Laboratories	submitted	UL 508	All device Versions

**JUMO GmbH & Co. KG**  
 Delivery address: Mackenrodtstraße 14  
 36039 Fulda, Germany  
 Postal address: 36035 Fulda, Germany  
 Phone: +49 661 6003-0  
 Fax: +49 661 6003-607  
 E-mail: mail@jumo.net  
 Internet: www.jumo.net

**JUMO Instrument Co. Ltd.**  
 JUMO House  
 Temple Bank, Riverway  
 Harlow, Essex CM20 2DY, UK  
 Phone: +44 1279 635533  
 Fax: +44 1279 635262  
 E-mail: sales@jumo.co.uk  
 Internet: www.jumo.co.uk

**JUMO Process Control, Inc.**  
 6733 Myers Road  
 East Syracuse, NY 13057, USA  
 Phone: 315-437-5866  
 1-800-554-5866  
 Fax: 315-437-5860  
 E-mail: info.us@jumo.net  
 Internet: www.jumousa.com

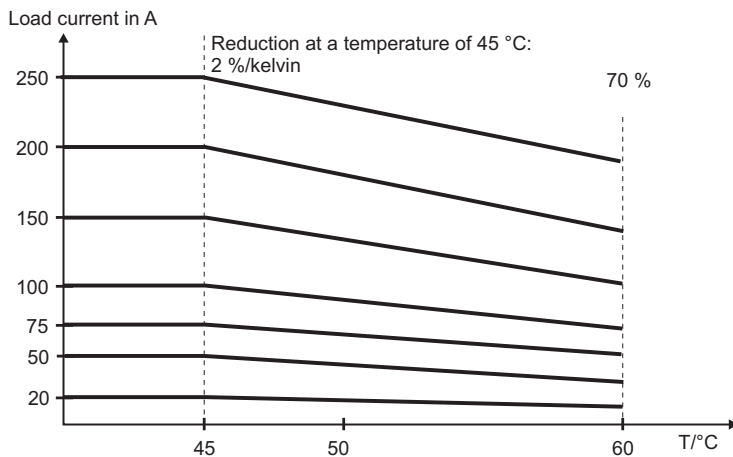


**Display and measuring accuracy**

All specifications refer to the controller nominal data.

<b>Supply voltage: ± 2,5%</b> 	<b>Load current: ± 1%</b> 	<b>Load voltage: ± 1%</b> 	<b>Power: ± 2%</b> 	
<b>Analog input Voltage/current: ± 1%</b> 	<b>Analog output Voltage/current: ± 1%</b> 	<b>Load resistance: ± 2%</b> (for resistive load) 		

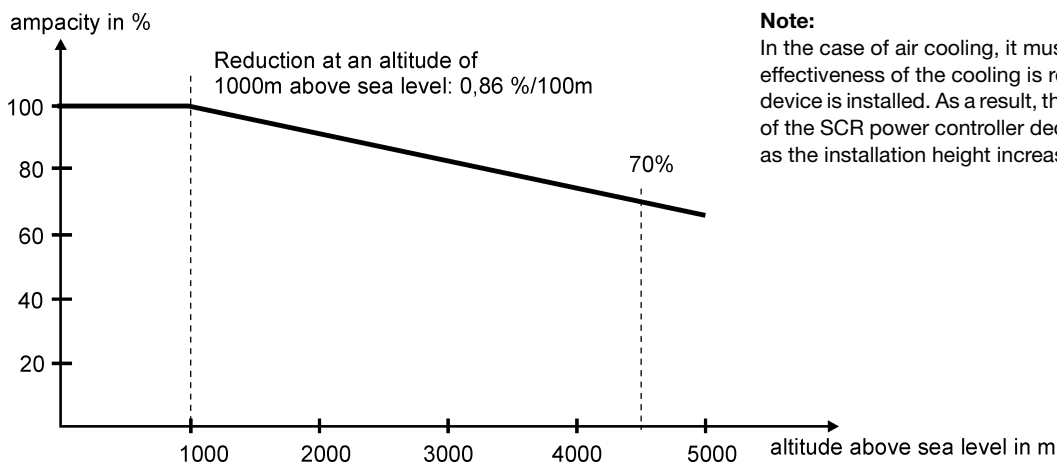
**Permissible load current depending on the ambient temperature and installation height**



**Note:**

At a device temperature of 105°C, the load current is reduced for each degree of temperature increase.

The power controller current is switched off completely at a device temperature of >115°C.

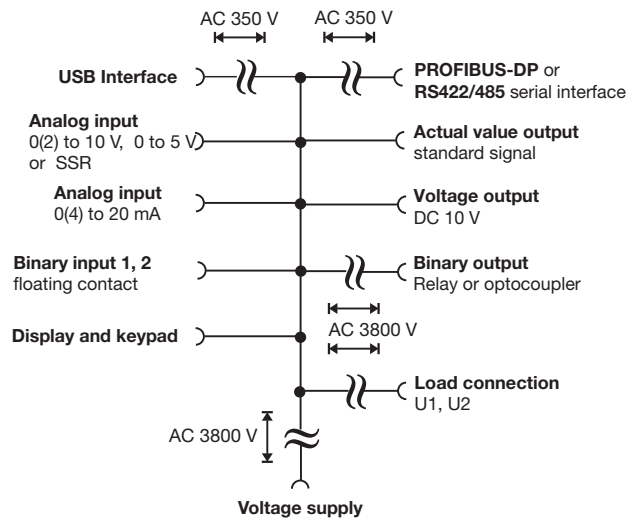


**Note:**

In the case of air cooling, it must be noted that the effectiveness of the cooling is reduced the higher up the device is installed. As a result, the current carrying capacity of the SCR power controller decreases with such a cooler as the installation height increases as shown in the image.



## Electrical isolation



## Display, operation and connection elements

Legend	Remark	Fig.
1	LED Power (green) is lit when the voltage supply is connected	
2	LCD display with white background lighting (96 x 64 pixels). The info line at the bottom of the display indicates current settings and error messages.	
3	The LED Fuse (red) is lit when the semi-conductor fuse is blown	
4	LED K1 (yellow) fault signal output	
5	<b>Keys:</b> Increase value / parameter up Decrease value / parameter down Abort / one level back Programming / one level lower	
6	USB setup interface	
7	Release clip for removing the plastic case (push to the right)	

**JUMO GmbH & Co. KG**  
 Delivery address: Mackenrodtstraße 14  
 36039 Fulda, Germany  
 Postal address: 36035 Fulda, Germany  
 Phone: +49 661 6003-0  
 Fax: +49 661 6003-607  
 E-mail: mail@jumo.net  
 Internet: www.jumo.net

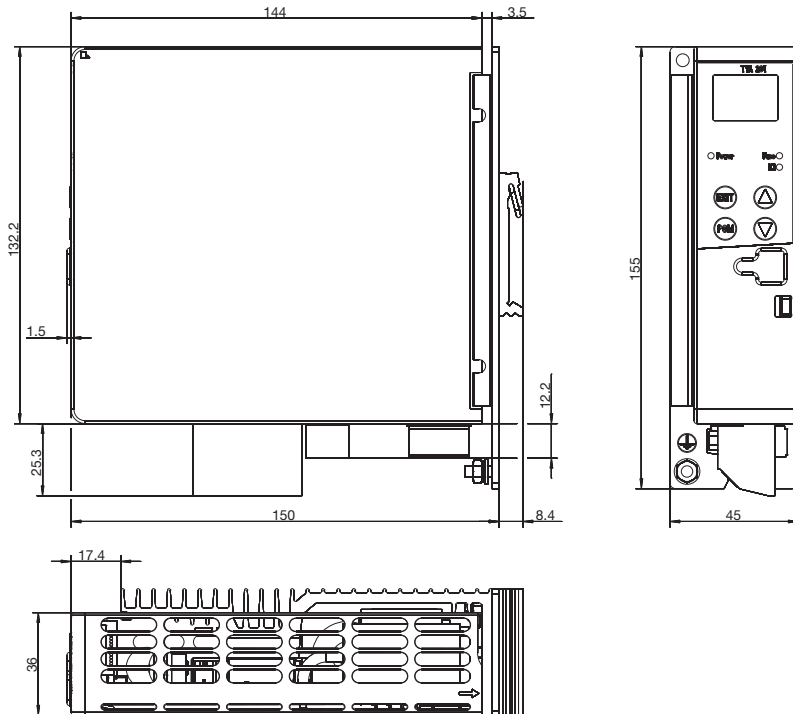
**JUMO Instrument Co. Ltd.**  
 JUMO House  
 Temple Bank, Riverway  
 Harlow, Essex CM20 2DY, UK  
 Phone: +44 1279 635533  
 Fax: +44 1279 635262  
 E-mail: sales@jumo.co.uk  
 Internet: www.jumo.co.uk

**JUMO Process Control, Inc.**  
 6733 Myers Road  
 East Syracuse, NY 13057, USA  
 Phone: 315-437-5866  
 1-800-554-5866  
 Fax: 315-437-5860  
 E-mail: info.us@jumo.net  
 Internet: www.jumousa.com

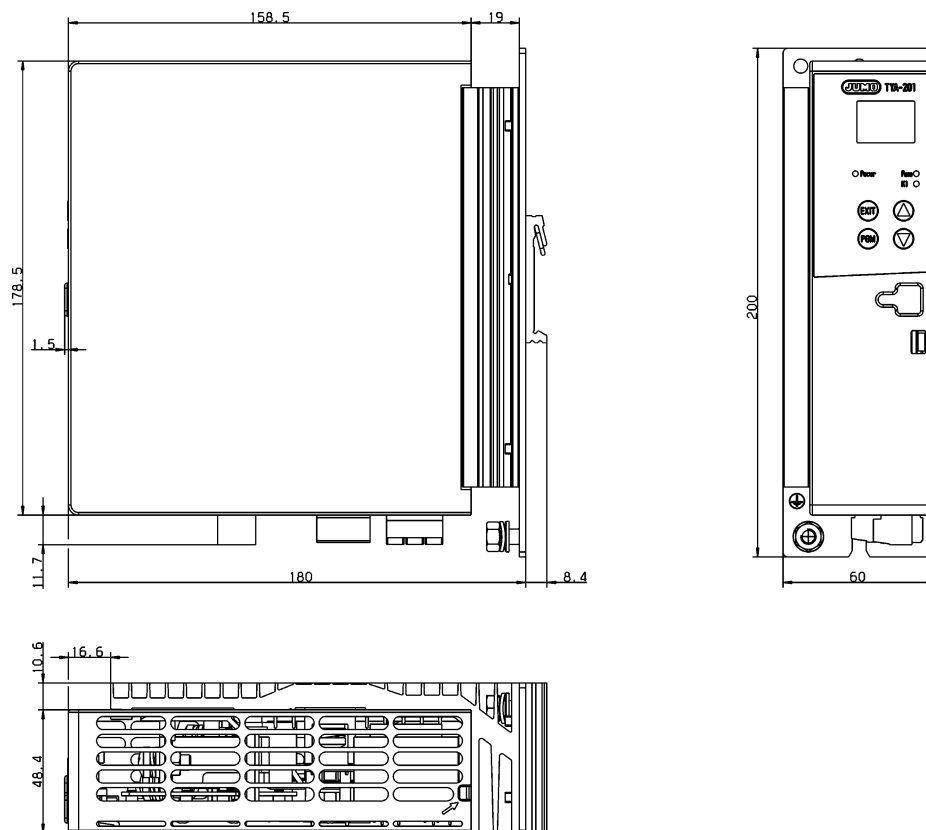


## Dimensions

### Type 709061/X-0X-020-XXX-XXX-XX-25X



### Type 709061/X-0X-032-XXX-XXX-XX-25X



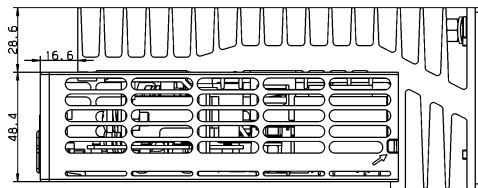
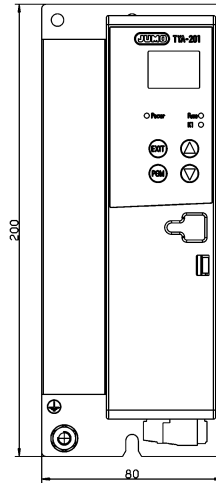
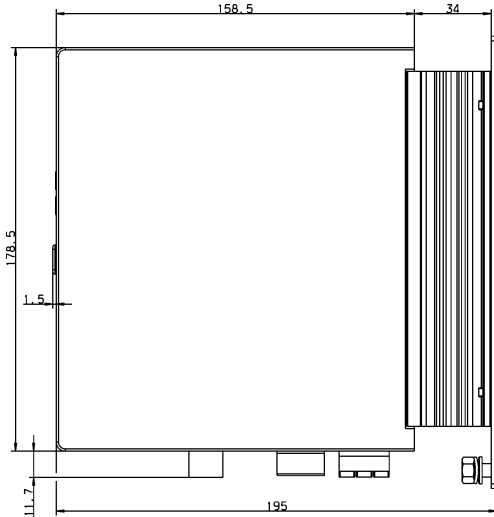
**JUMO GmbH & Co. KG**  
 Delivery address: Mackenrodtstraße 14  
 36039 Fulda, Germany  
 Postal address: 36035 Fulda, Germany  
 Phone: +49 661 6003-0  
 Fax: +49 661 6003-607  
 E-mail: mail@jumo.net  
 Internet: www.jumo.net

**JUMO Instrument Co. Ltd.**  
 JUMO House  
 Temple Bank, Riverway  
 Harlow, Essex CM20 2DY, UK  
 Phone: +44 1279 635533  
 Fax: +44 1279 635262  
 E-mail: sales@jumo.co.uk  
 Internet: www.jumo.co.uk

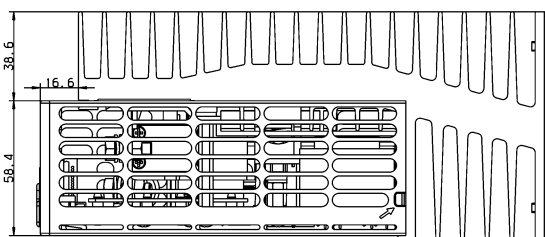
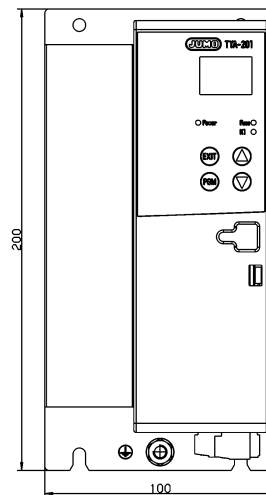
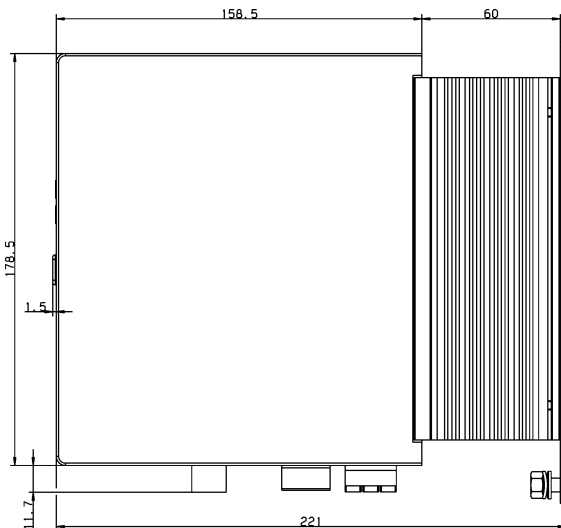
**JUMO Process Control, Inc.**  
 6733 Myers Road  
 East Syracuse, NY 13057, USA  
 Phone: 315-437-5866  
 1-800-554-5866  
 Fax: 315-437-5860  
 E-mail: info.us@jumo.net  
 Internet: www.jumousa.com



**Type 709061/X-0X-050-XXX-XXX-XX-25X**



**Type 709061/X-0X-100-XXX-XXX-XX-25X**



**JUMO GmbH & Co. KG**

Delivery address: Mackenrodtstraße 14  
36039 Fulda, Germany  
Postal address: 36035 Fulda, Germany  
Phone: +49 661 6003-0  
Fax: +49 661 6003-607  
E-mail: mail@jumo.net  
Internet: www.jumo.net

**JUMO Instrument Co. Ltd.**

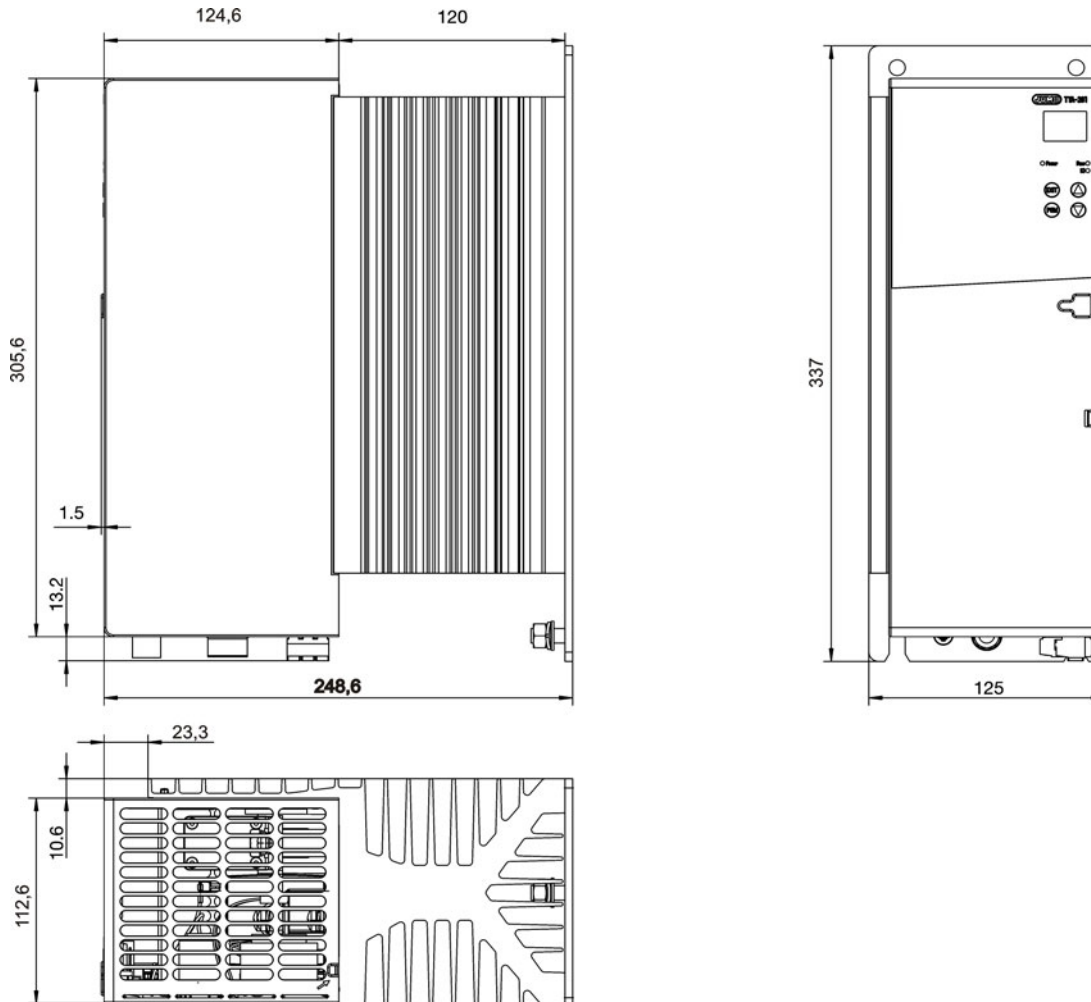
JUMO House  
Temple Bank, Riverway  
Harlow, Essex CM20 2DY, UK  
Phone: +44 1279 635533  
Fax: +44 1279 635262  
E-mail: sales@jumo.co.uk  
Internet: www.jumo.co.uk

**JUMO Process Control, Inc.**

6733 Myers Road  
East Syracuse, NY 13057, USA  
Phone: 315-437-5866  
1-800-554-5866  
Fax: 315-437-5860  
E-mail: info.us@jumo.net  
Internet: www.jumousa.com



**Type 709061/X-0X-150-XXX-XXX-XX-25X**  
**Type 709061/X-0X-200-XXX-XXX-XX-25X,**

**Clearances (all types)**

- Allow a clearance of 10 cm from the floor.
- Allow a clearance of 15 cm from the ceiling.
- When fitted next to each other, no spacing between the devices is required.

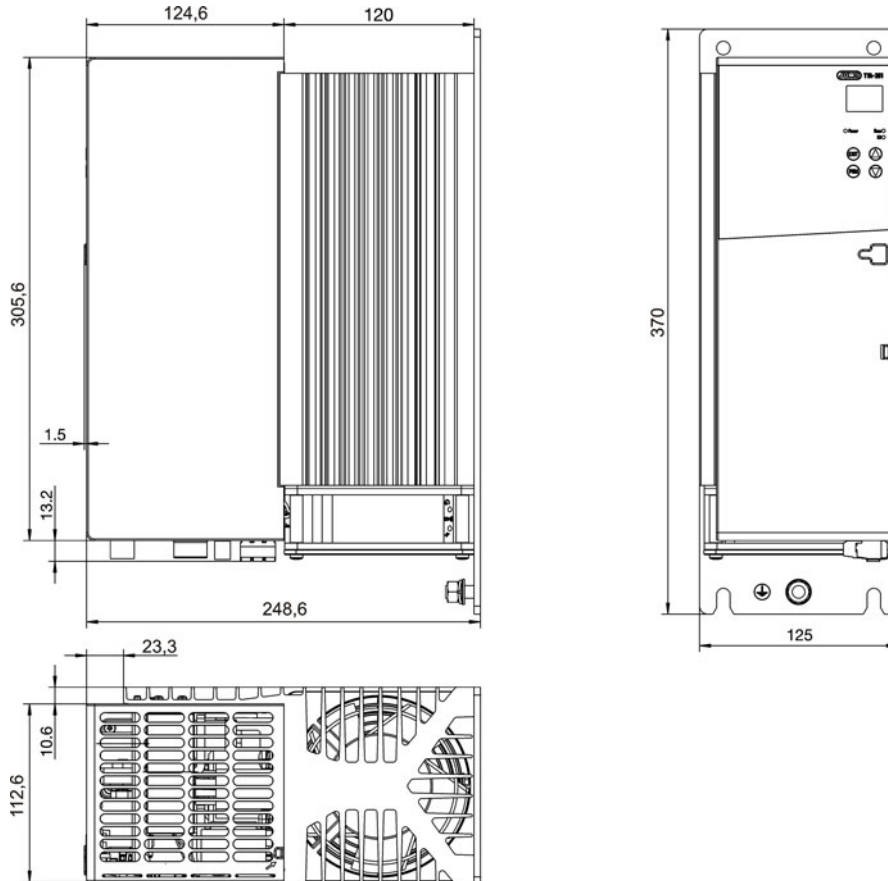
**JUMO GmbH & Co. KG**  
 Delivery address: Mackenrodtstraße 14  
 36039 Fulda, Germany  
 Postal address: 36035 Fulda, Germany  
 Phone: +49 661 6003-0  
 Fax: +49 661 6003-607  
 E-mail: mail@jumo.net  
 Internet: www.jumo.net

**JUMO Instrument Co. Ltd.**  
 JUMO House  
 Temple Bank, Riverway  
 Harlow, Essex CM20 2DY, UK  
 Phone: +44 1279 635533  
 Fax: +44 1279 635262  
 E-mail: sales@jumo.co.uk  
 Internet: www.jumo.co.uk

**JUMO Process Control, Inc.**  
 6733 Myers Road  
 East Syracuse, NY 13057, USA  
 Phone: 315-437-5866  
 1-800-554-5866  
 Fax: 315-437-5860  
 E-mail: info.us@jumo.net  
 Internet: www.jumousa.com



**Type 709061/X-0X-250-XXX-XXX-XX-25X**



**Maximum tightening torques for screw connections**

Terminals	Version	Tightening torque
<b>For all types</b> X2_1 numbers 1...6, X2_2 numbers 7...12 and modbus RS422/485 (Terminals 16, 17, 18, 19)	Plug-in screw terminals (slotted screws)	0.25 Nm
X3 numbers 13, 14, 15	Plug-in screw terminals (slotted screws)	0.5 Nm
<b>Type 709061/X-0X-020...</b> Clamping block U1, U2, N/L2, V, L1 Ground terminal PE:	Plug-in screw terminals (recessed head screws) M4 headless setscrew with nut	0.6 Nm 3 Nm
<b>Type 709061/X-0X-032 and type 709061/X-0X-050...</b> U1, U2: Clamping block N/L2, V, L1 Ground terminal PE:	M6 recessed head screws Plug-in screw terminals (slotted screws) M6 headless setscrew with nut	5Nm 0.5Nm 5Nm
<b>Type 709061/X-0X-100...</b> U1, U2: Clamping block N/L2, V, L1 Ground terminal PE:	M6 hexagon screw, width across flats 10 mm Plug-in screw terminals (slotted screws) M6 headless setscrew with nut	5Nm 0.5Nm 5Nm
<b>Type 709061/X-0X-150..., 709061/X-0X-200 and Type 709061/X-0X-250...</b> U1, U2: Clamping block N/L2, V, L1 Ground terminal PE:	M8 hexagon screw, width across flats 13 mm Plug-in screw terminals (slotted screws) M8 headless setscrew with nut	12 Nm 0.5Nm 12 Nm
<b>Typ 709061/X-0X-250...</b> X14 numbers 20, 21	Plug-in screw terminals (slotted screws)	0,5Nm

**JUMO GmbH & Co. KG**  
 Delivery address: Mackenrodtstraße 14  
 36039 Fulda, Germany  
 Postal address: 36035 Fulda, Germany  
 Phone: +49 661 6003-0  
 Fax: +49 661 6003-607  
 E-mail: mail@jumo.net  
 Internet: www.jumo.net

**JUMO Instrument Co. Ltd.**  
 JUMO House  
 Temple Bank, Riverway  
 Harlow, Essex CM20 2DY, UK  
 Phone: +44 1279 635533  
 Fax: +44 1279 635262  
 E-mail: sales@jumo.co.uk  
 Internet: www.jumo.co.uk

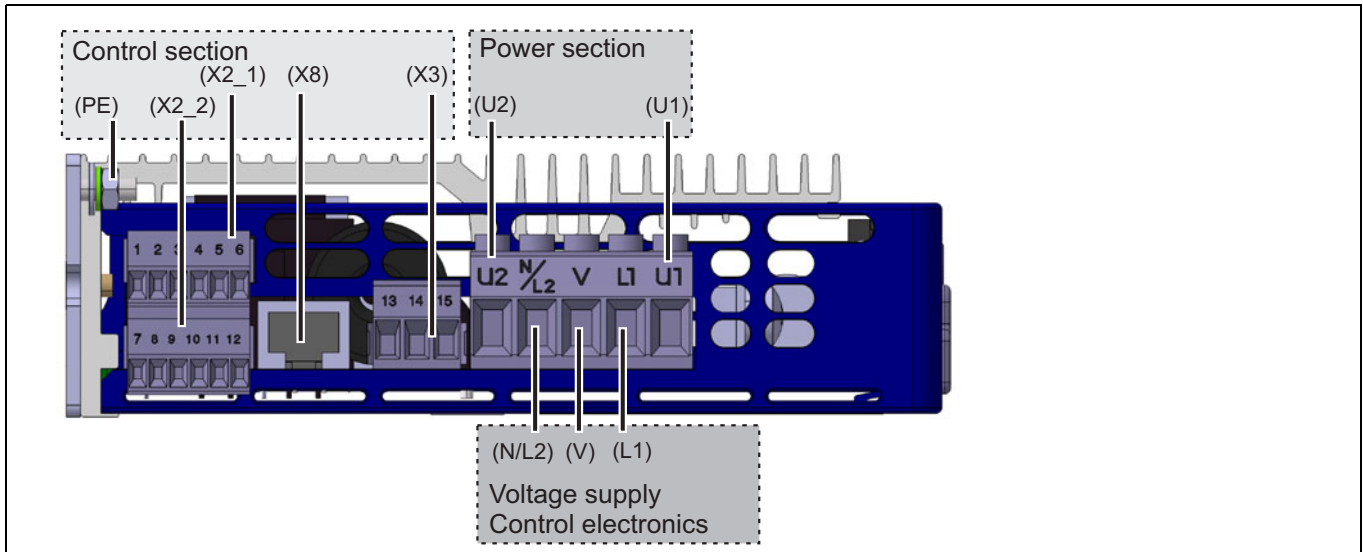
**JUMO Process Control, Inc.**  
 6733 Myers Road  
 East Syracuse, NY 13057, USA  
 Phone: 315-437-5866  
 1-800-554-5866  
 Fax: 315-437-5860  
 E-mail: info.us@jumo.net  
 Internet: www.jumousa.com



## Connection diagram

The connection diagram contained in the data sheet provides preliminary information about the connection possibilities. For electrical connection, only use the installation instructions or the operating instructions. The knowledge and correct technical execution of the safety instructions, and observance of the warnings contained in these documents are prerequisite for installation, electrical connection and commissioning/start-up as well as for safety during operation.

### Type 709061/X-0X-20-XXX-XXX-XX-25X



Power section		
Connection for	Control section/power section screw terminals	Detail
Voltage supply for control electronics (corresponds to the max. load voltage of the ordered device type)	L1 N/L2 V	L1 — o L1 N (L2) — o N (L2) V — o V
Protective earth	PE	PE — o PE
Load connection	U1 U2	L1 — o U1 N/L2 — o U2
Fan X14	20, 21 (only types with load current 250A)	

Control section		
Connection for	screw terminal X2_2	Detail
Setpoint value input current	1 2	- — o 1 I <sub>x</sub> + — o 2
Setpoint value input voltage	3 (GND) 4	- — o 3 U <sub>x</sub> + — o 4
Output DC 10V fixed voltage	5	
Ground potential	6 (GND)	

Connection for	screw terminal X2_2	Detail
Firing-pulse inhibit (voltage proof up to DC 32V) OFF logic level „0“ = 0 to +0,8V; ON logic level 1 = +2 to 3,3V	8	

**JUMO GmbH & Co. KG**  
 Delivery address: Mackenrodtstraße 14  
 36039 Fulda, Germany  
 Postal address: 36035 Fulda, Germany  
 Phone: +49 661 6003-0  
 Fax: +49 661 6003-607  
 E-mail: mail@jumo.net  
 Internet: www.jumo.net

**JUMO Instrument Co. Ltd.**  
 JUMO House  
 Temple Bank, Riverway  
 Harlow, Essex CM20 2DY, UK  
 Phone: +44 1279 635533  
 Fax: +44 1279 635262  
 E-mail: sales@jumo.co.uk  
 Internet: www.jumo.co.uk

**JUMO Process Control, Inc.**  
 6733 Myers Road  
 East Syracuse, NY 13057, USA  
 Phone: 315-437-5866  
 1-800-554-5866  
 Fax: 315-437-5860  
 E-mail: info.us@jumo.net  
 Internet: www.jumousa.com



Connection for	screw terminal X2_2	Detail
Binary input1 (voltage proof up to DC 32V) OFF logic level „0“ = 0 to +0,8V; ON logic level 1 = +2 to 3,3V	9	
Binary input2 (voltage proof up to DC 32V) OFF logic level „0“ = 0 to +0,8V; ON logic level 1 = +2 to 3,3V	10	
GND	7, 11	Ground potential
Analog output for different internal power controller variables	12	

**Master-slave connection**

Connection	RJ 45 connector X8
for master/slave operation (only TYA 202)	1:1 patch cable

**Fault signal output**

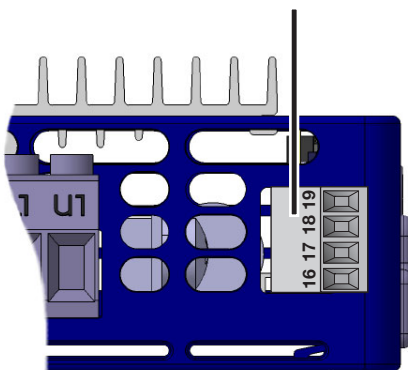
Connection for	screw terminal X3	Detail
Relay SPDT (changeover contact) or optocoupler	13 n.o. make contact or collector	
	14 n.c. break contact	
	15 pole or emitter	

**Interfaces (option)**

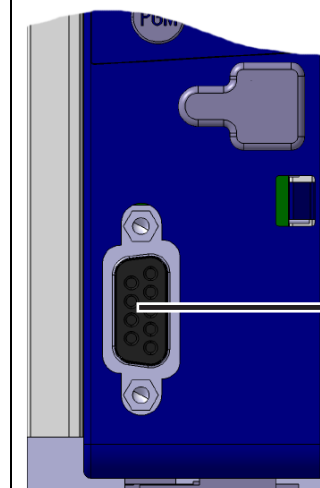
Connection	Modbus	RS422	RS485
Plug-in screw terminals on the underside of the case	19	TxD (-)	RxD/TxD B(-)
	18	TxD (+)	RxD/TxD A(+)
	17	RxD (-)	-
	16	RxD (+)	-

Connection	PROFIBUS-DP
SUB-D 9-pin socket connector (on the front panel)	3 A(+)
	8 B(-)
	6 VCC
	5 GND
	Shielding

(RS422/485 Modbus)



Profibus DP



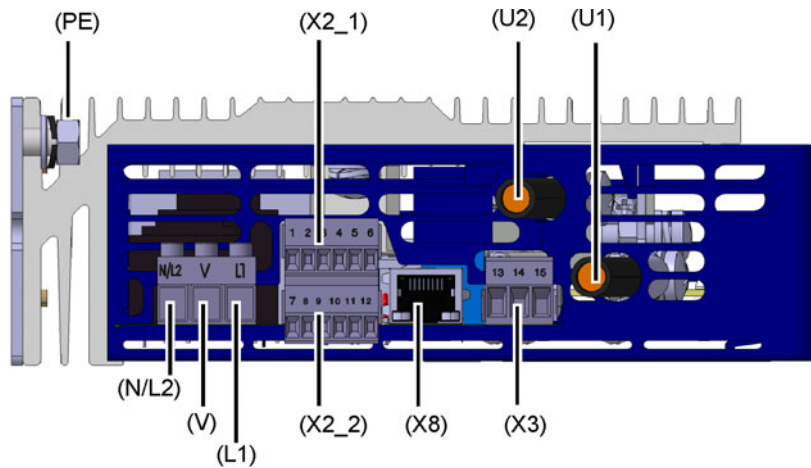
**JUMO GmbH & Co. KG**  
 Delivery address: Mackenrodtstraße 14  
 36039 Fulda, Germany  
 Postal address: 36035 Fulda, Germany  
 Phone: +49 661 6003-0  
 Fax: +49 661 6003-607  
 E-mail: mail@jumo.net  
 Internet: www.jumo.net

**JUMO Instrument Co. Ltd.**  
 JUMO House  
 Temple Bank, Riverway  
 Harlow, Essex CM20 2DY, UK  
 Phone: +44 1279 635533  
 Fax: +44 1279 635262  
 E-mail: sales@jumo.co.uk  
 Internet: www.jumo.co.uk

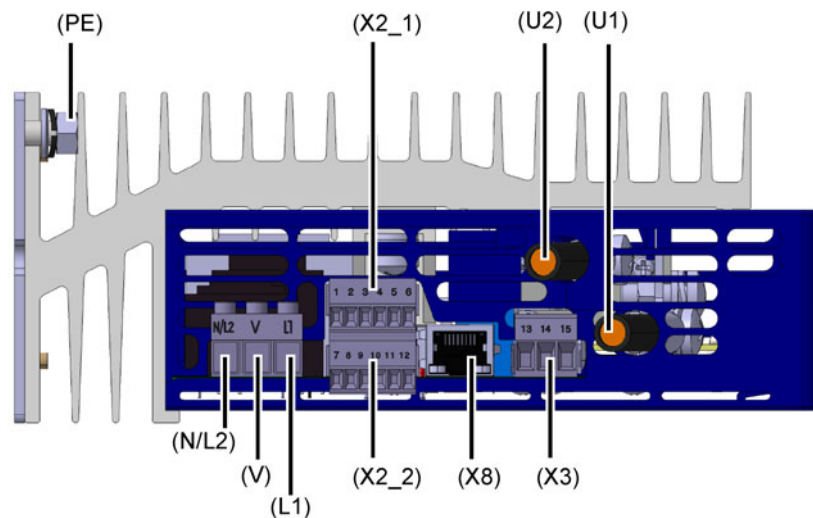
**JUMO Process Control, Inc.**  
 6733 Myers Road  
 East Syracuse, NY 13057, USA  
 Phone: 315-437-5866  
 1-800-554-5866  
 Fax: 315-437-5860  
 E-mail: info.us@jumo.net  
 Internet: www.jumousa.com



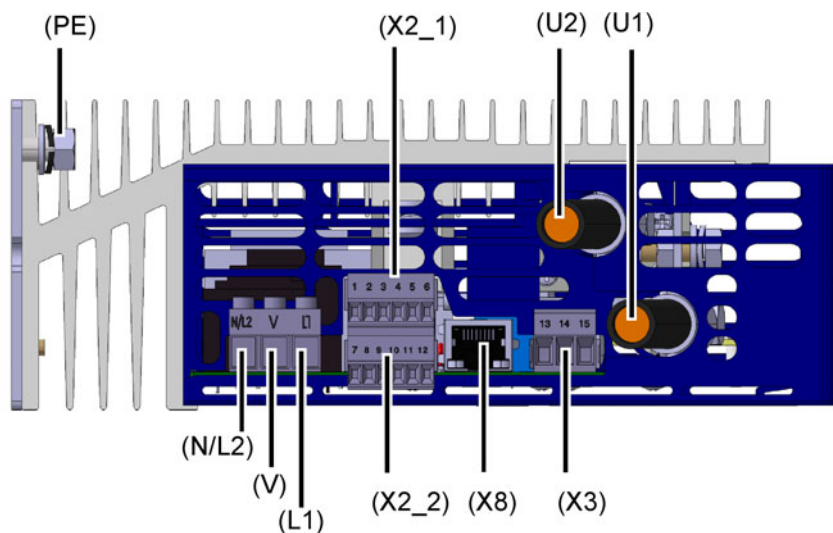
**Type 709061/X-0X-032-XXX-XXX-XX-25X**



**Type 709061/X-0X-050-XXX-XXX-XX-25X**



**Type 709061/X-0X-100-XXX-XXX-XX-25X**



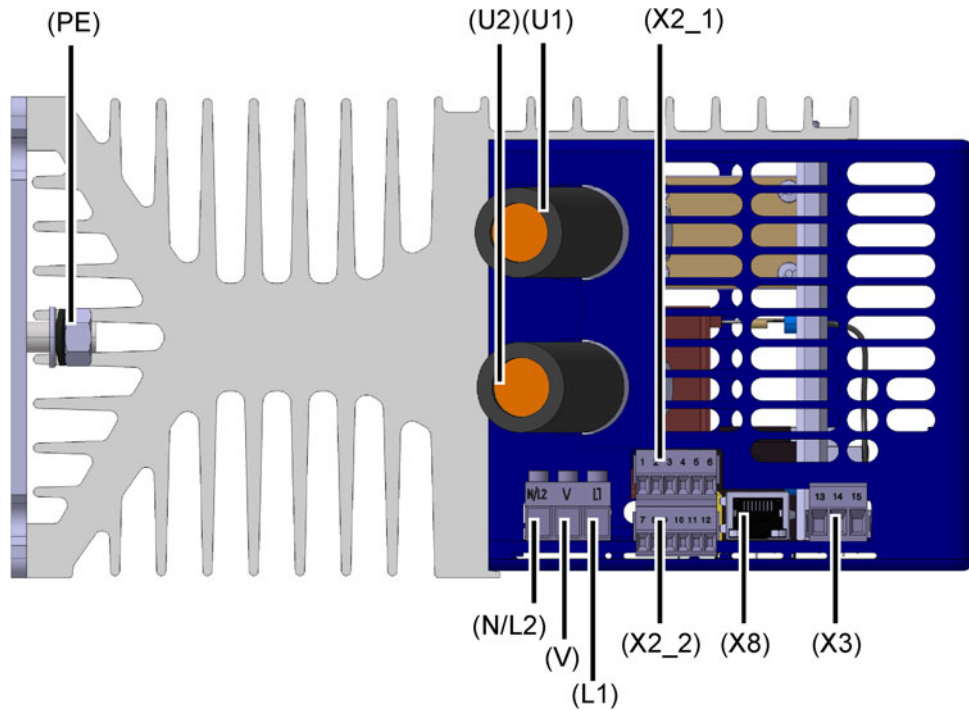
**JUMO GmbH & Co. KG**  
 Delivery address: Mackenrodtstraße 14  
 36039 Fulda, Germany  
 Postal address: 36035 Fulda, Germany  
 Phone: +49 661 6003-0  
 Fax: +49 661 6003-607  
 E-mail: mail@jumo.net  
 Internet: www.jumo.net

**JUMO Instrument Co. Ltd.**  
 JUMO House  
 Temple Bank, Riverway  
 Harlow, Essex CM20 2DY, UK  
 Phone: +44 1279 635533  
 Fax: +44 1279 635262  
 E-mail: sales@jumo.co.uk  
 Internet: www.jumo.co.uk

**JUMO Process Control, Inc.**  
 6733 Myers Road  
 East Syracuse, NY 13057, USA  
 Phone: 315-437-5866  
 1-800-554-5866  
 Fax: 315-437-5860  
 E-mail: info.us@jumo.net  
 Internet: www.jumousa.com

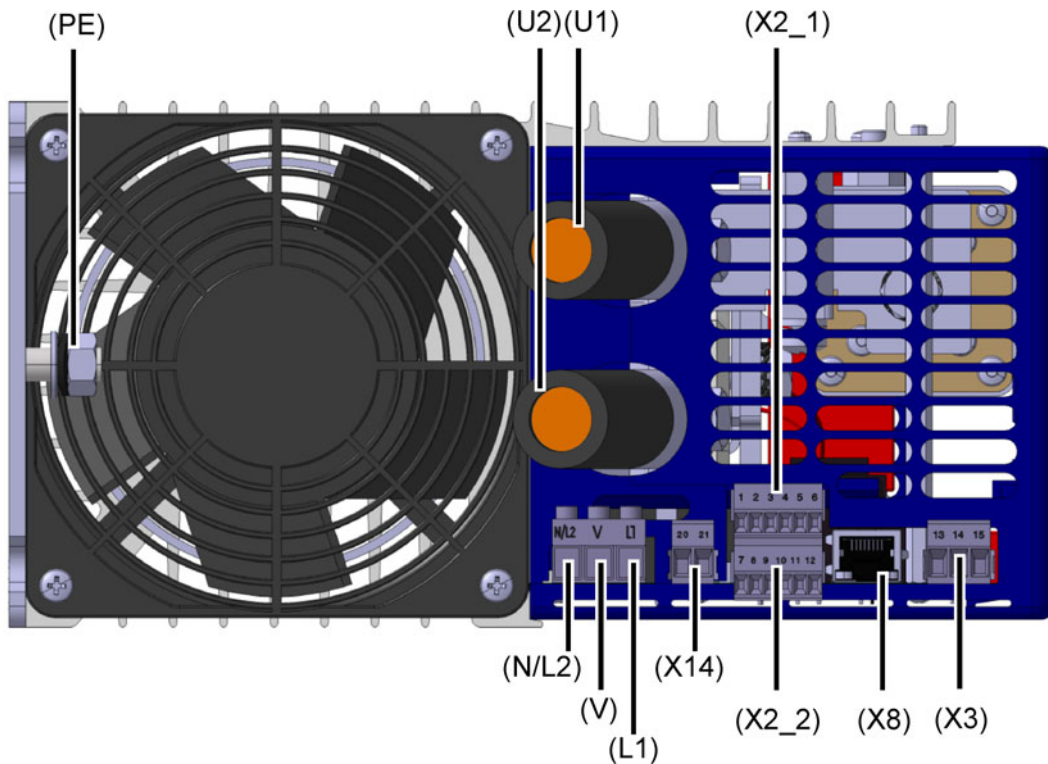


**Type 709061/X-0X-150-XXX-XXX-XX-25X,  
 Type 709061/X-0X-200-XXX-XXX-XX-25X**





**Type 709061/X-0X-250-XXX-XXX-XX-25X**



**Example:**

**Voltage supply of the fan in case of type 709061/X-0X-250-XXX-400-XX-25X**

Depending on the load voltage, the fan terminal X14 must be supplied with the voltage specified below.

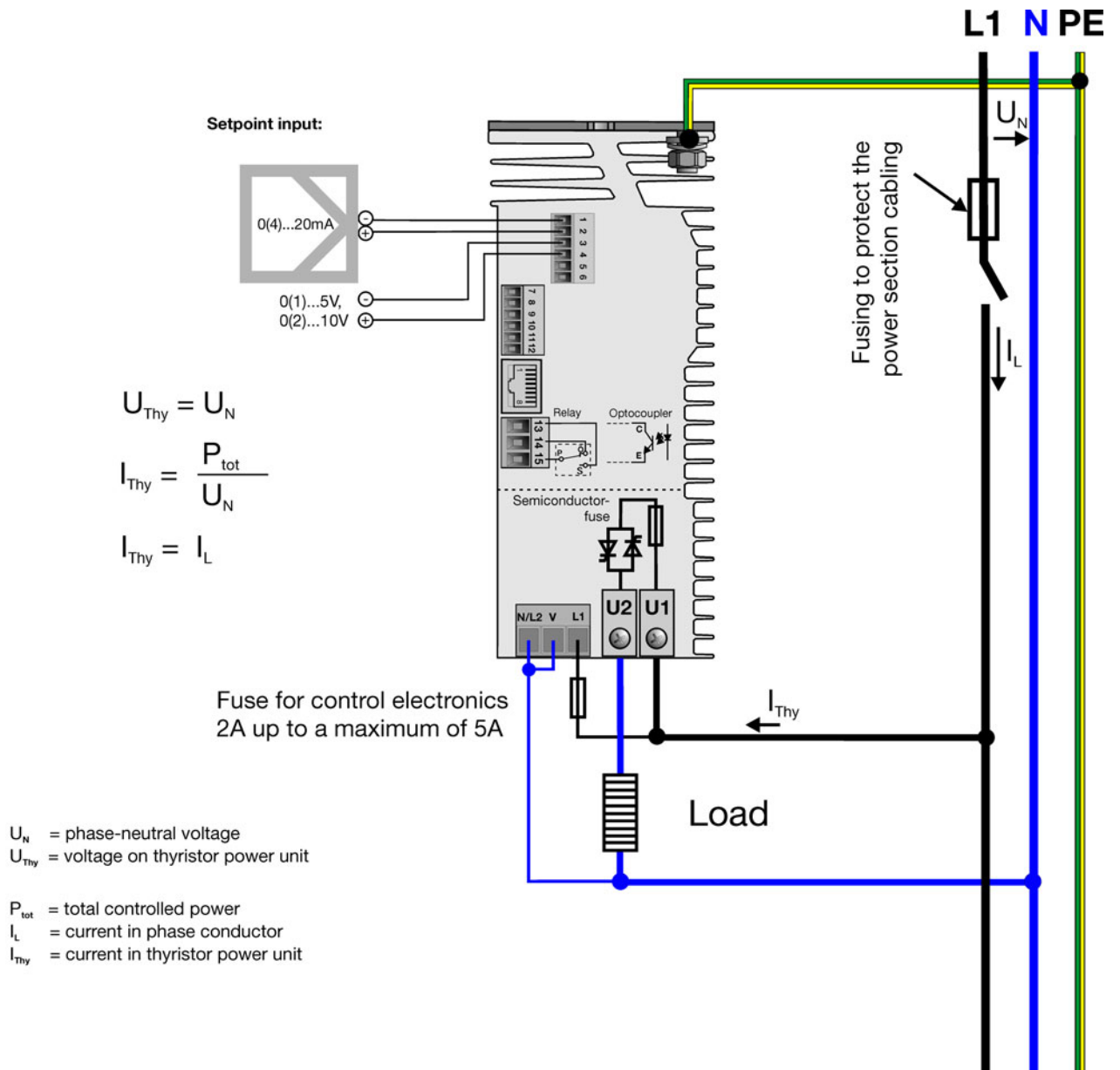
The lead protection must be between 2 A and a maximum of 5 A.

The fan is temperature-controlled, switches on automatically when the device temperature reaches 85 °C, and remains in operation until the device temperature falls below 70 °C.

Load voltage on the power controller	Tolerances	Fan specifications
Load voltage AC 24V	-20 to +15 %, 45 to 63 Hz	AC24V / 30VA
Load voltage AC 42V		
Load voltage AC115V	-15 to + 6 %, 45 to 63 Hz	AC 115V / 30VA
Load voltage AC230V	-15 to + 6 %, 45 to 63 Hz	AC 230V / 30VA
Load voltage AC265V		
Load voltage AC400V		
Load voltage AC460V		
Load voltage AC500V		

## Wiring

### Single-phase operation: phase – N



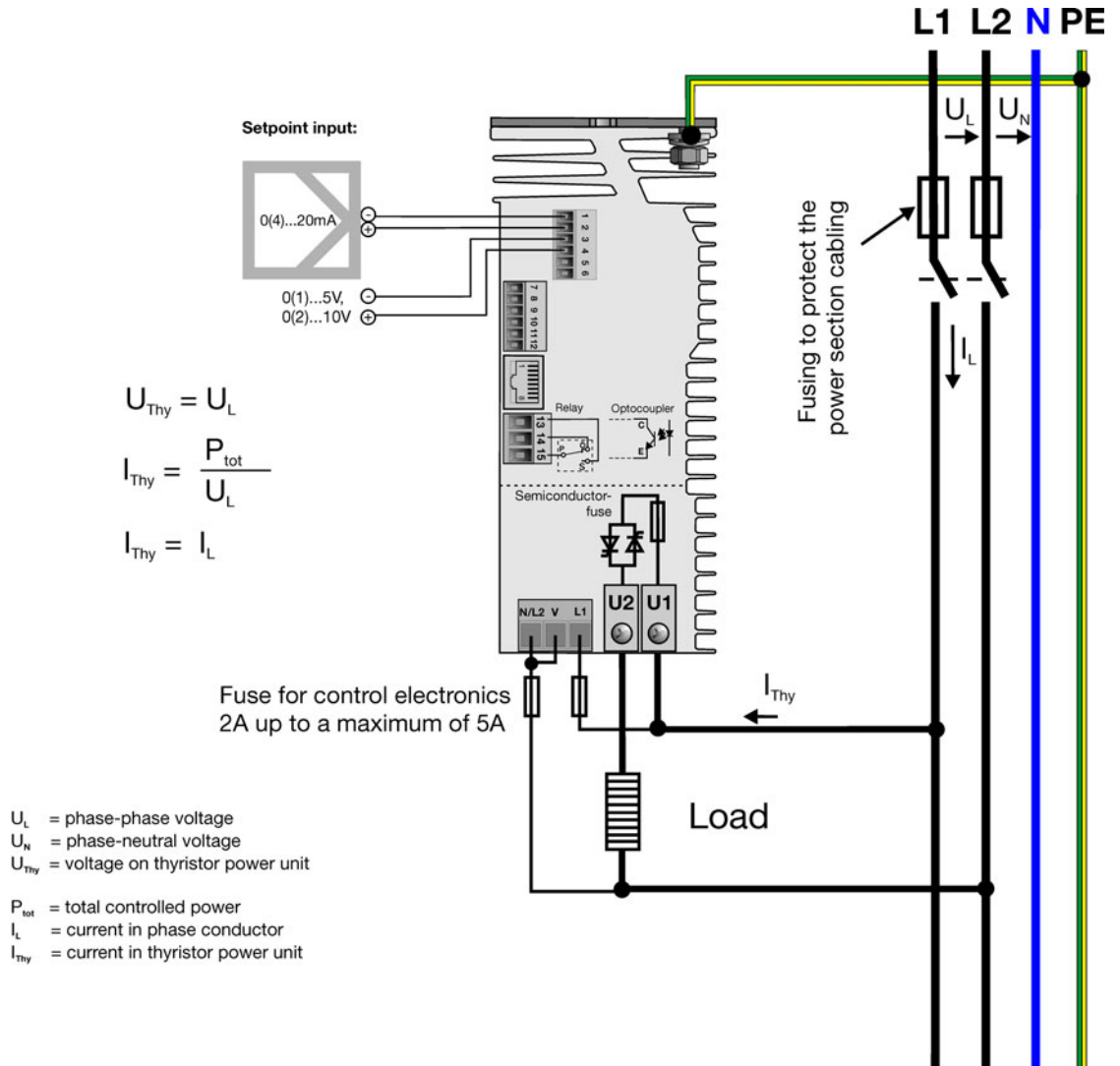
#### Note:

In the case of power controllers with a load current of 250 A, the fan terminal X14 must also be supplied with the specified voltage!

⇒ Siehe "Example: Voltage supply of the fan in case of type 709061/X-0X-250-XXX-400-XX-25X" see page 14..



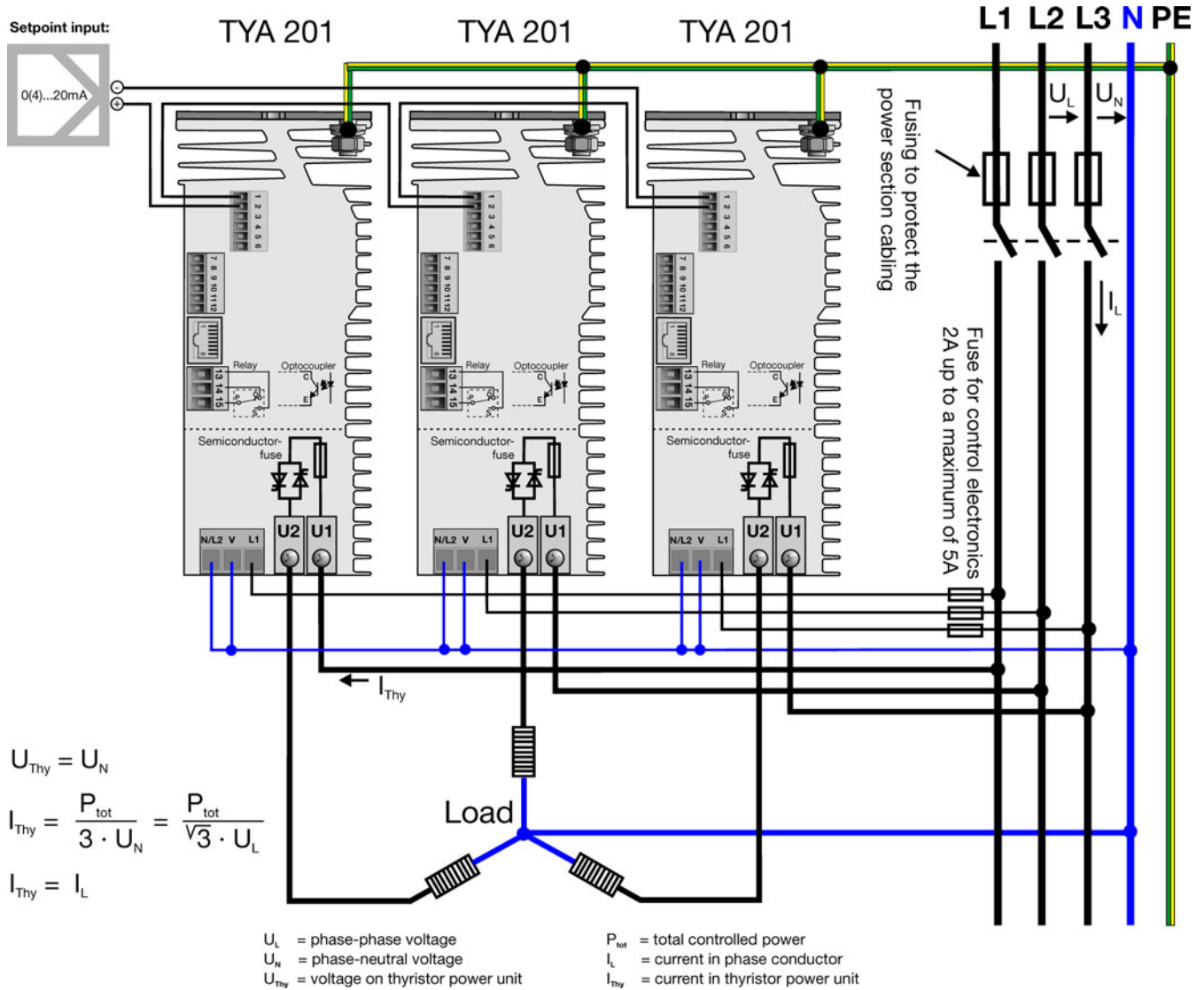
**Single-phase operation: phase – phase**



**Note:** In the case of power controllers with a load current of 250 A, the fan terminal X14 must also be supplied with the specified voltage!

⇒ Siehe "Example: Voltage supply of the fan in case of type 709061/X-0X-250-XXX-400-XX-25X" see page 14..

**Star connection with accessible star point (N)**



**Note:** In the case of power controllers with a load current of 250 A, the fan terminal X14 must also be supplied with the specified voltage!

⇒ Siehe "Example: Voltage supply of the fan in case of type 709061/X-0X-250-XXX-400-XX-25X" see page 14..

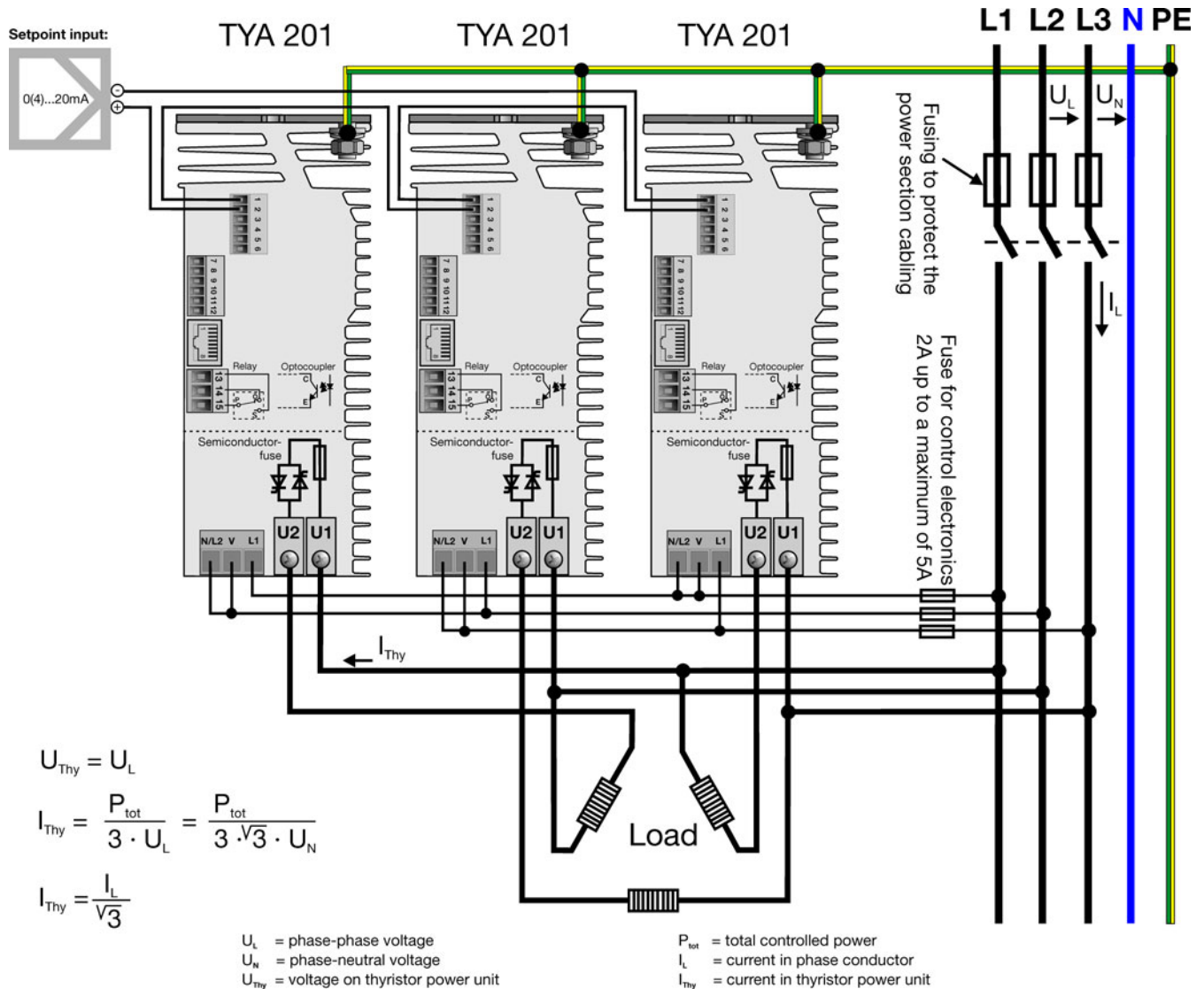
**JUMO GmbH & Co. KG**  
 Delivery address: Mackenrodtstraße 14  
 36039 Fulda, Germany  
 Postal address: 36035 Fulda, Germany  
 Phone: +49 661 6003-0  
 Fax: +49 661 6003-607  
 E-mail: mail@jumo.net  
 Internet: www.jumo.net

**JUMO Instrument Co. Ltd.**  
 JUMO House  
 Temple Bank, Riverway  
 Harlow, Essex CM20 2DY, UK  
 Phone: +44 1279 635533  
 Fax: +44 1279 635262  
 E-mail: sales@jumo.co.uk  
 Internet: www.jumo.co.uk

**JUMO Process Control, Inc.**  
 6733 Myers Road  
 East Syracuse, NY 13057, USA  
 Phone: 315-437-5866  
 1-800-554-5866  
 Fax: 315-437-5860  
 E-mail: info.us@jumo.net  
 Internet: www.jumousa.com



**Open delta connection (six wire connection)**

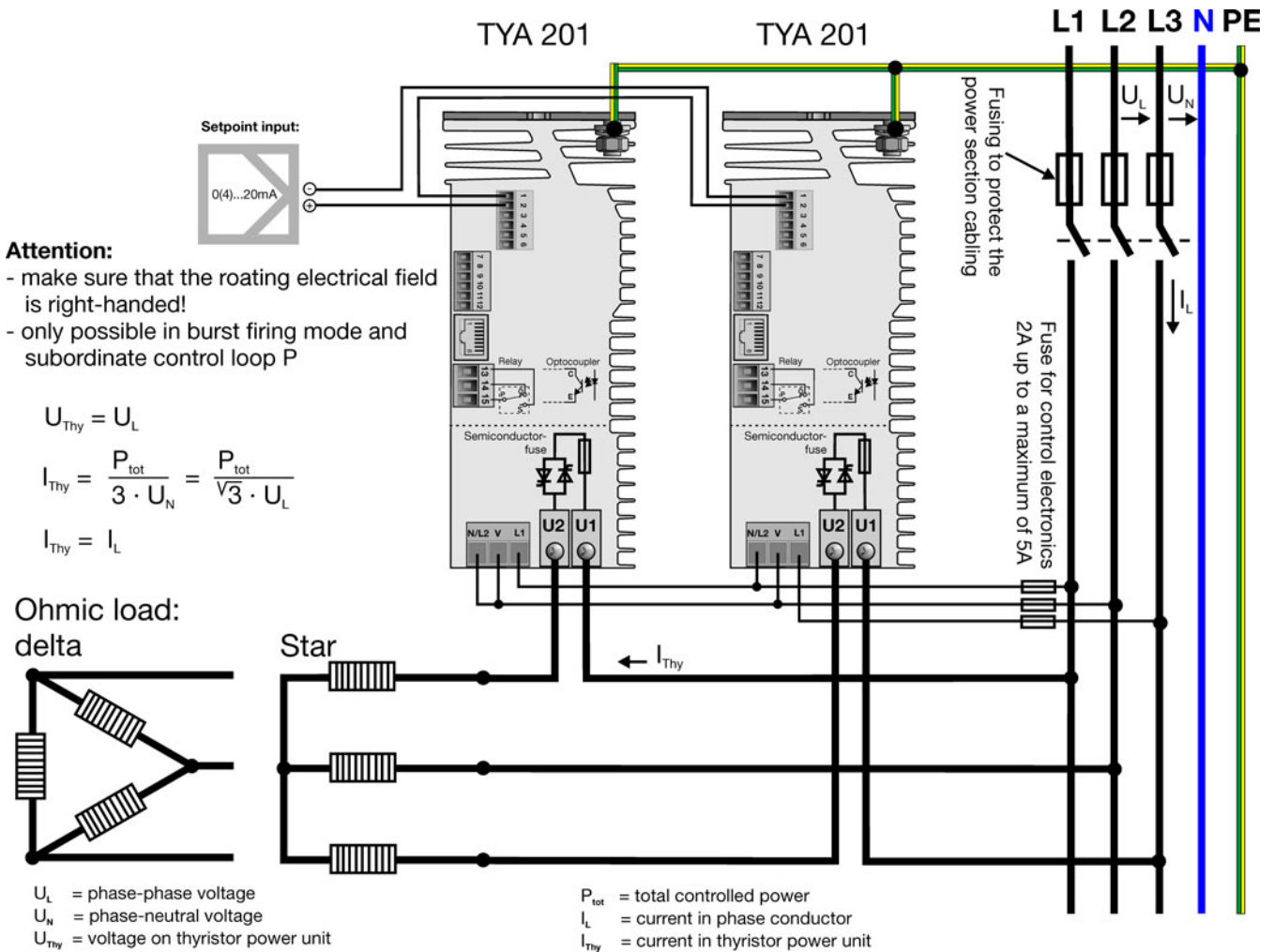


**Note:** In the case of power controllers with a load current of 250 A, the fan terminal X14 must also be supplied with the specified voltage!

⇒ Siehe "Example: Voltage supply of the fan in case of type 709061/X-0X-250-XXX-400-XX-25X" see page 14..



**Free-running economy circuit with purely resistive loads**



**Note:** In the case of power controllers with a load current of 250 A, the fan terminal X14 must also be supplied with the specified voltage!

⇒ Siehe "Example: Voltage supply of the fan in case of type 709061/X-0X-250-XXX-400-XX-25X" see page 14..

**JUMO GmbH & Co. KG**  
 Delivery address: Mackenrodtstraße 14  
 36039 Fulda, Germany  
 Postal address: 36035 Fulda, Germany  
 Phone: +49 661 6003-0  
 Fax: +49 661 6003-607  
 E-mail: mail@jumo.net  
 Internet: www.jumo.net

**JUMO Instrument Co. Ltd.**  
 JUMO House  
 Temple Bank, Riverway  
 Harlow, Essex CM20 2DY, UK  
 Phone: +44 1279 635533  
 Fax: +44 1279 635262  
 E-mail: sales@jumo.co.uk  
 Internet: www.jumo.co.uk

**JUMO Process Control, Inc.**  
 6733 Myers Road  
 East Syracuse, NY 13057, USA  
 Phone: 315-437-5866  
 1-800-554-5866  
 Fax: 315-437-5860  
 E-mail: info.us@jumo.net  
 Internet: www.jumousa.com



## Order details

### (1) Basic type

709061	TYA 201 single-phase SCR power controller
--------	---

### (2) Version

8	Standard with factory settings
9	Customer-specific programming according to specifications

### (3) National language of display texts

01	German (set at factory)
02	English
03	French

### (4) Load current <sup>a</sup>

020	AC 20 A
032	AC 32 A
050	AC 50 A
100	AC 100 A
150	AC 150 A
200	AC 200 A
250	AC 250 A

### (5) Subordinate control loop

100	<b>U, U<sup>2</sup></b>
010	<b>I, I<sup>2</sup></b> (can be set to U, U <sup>2</sup> )
001	<b>P</b> (can be set to I, I <sup>2</sup> or U, U <sup>2</sup> )

### (6) Load voltage <sup>b</sup>

024	AC 24 V	-20 to +15 %, 45 to 63 Hz
042	AC 42 V	-20 to +15 %, 45 to 63 Hz
115	AC 115 V	-20 to +15 %, 45 to 63 Hz
230	AC 230 V	-20 to +15 %, 45 to 63 Hz
265	AC 265 V	-20 to +15 %, 45 to 63 Hz
400	AC 400 V	-20 to +15 %, 45 to 63 Hz
460	AC 460 V	-20 to +15 %, 45 to 63 Hz
500	AC 500 V	-20 to +15 %, 45 to 63 Hz

### (7) Interface

00	None
54	RS485/422
64	PROFIBUS-DP

### (8) Extra codes

252	Relay (changeover contact) 3 A
257	Optocoupler

(1) / (2) - (3) - (4) - (5) - (6) - (7) / (8) **Order code**  
 709061 / 8 - 01 - 100 - 100 - 400 - 00 / 252 **Order example**

<sup>a</sup> UL approval in preparation

<sup>b</sup> Load voltage = voltage supply for control electronics

#### Important information:

Subordinate control loop U<sup>2</sup>, code 100: voltage control

Subordinate control loop I<sup>2</sup>, code 010: enables partial load failure detection, dual energy management, and current limiting

Subordinate control loop P, code 001: enables partial load failure detection, dual energy management, current limiting, free-running economy circuit, and R control

At a load current of 250 A, observe voltage supply for fan!

**JUMO GmbH & Co. KG**

Delivery address: Mackenrodtstraße 14  
36039 Fulda, Germany  
Postal address: 36035 Fulda, Germany  
Phone: +49 661 6003-0  
Fax: +49 661 6003-607  
E-mail: mail@jumo.net  
Internet: www.jumo.net

**JUMO Instrument Co. Ltd.**

JUMO House  
Temple Bank, Riverway  
Harlow, Essex CM20 2DY, UK  
Phone: +44 1279 635533  
Fax: +44 1279 635262  
E-mail: sales@jumo.co.uk  
Internet: www.jumo.co.uk

**JUMO Process Control, Inc.**

6733 Myers Road  
East Syracuse, NY 13057, USA  
Phone: 315-437-5866  
1-800-554-5866  
Fax: 315-437-5860  
E-mail: info.us@jumo.net  
Internet: www.jumousa.com



## Scope of delivery

1 Operating Manual B70.9061.0
1 SCR power controller in the version ordered

## Accessories

Part	Part no.
Setup program 70.9061 (TYA 201) and 70.9062 (TYA 202)	70/00544869
USB cable A-plug B-plug 3m	70/00506252
<b>Mounting set for DIN rail installation:</b>	
Type 70.9061/X-01-20...	70/00555169
Type 70.9061/X-01-32 and 70.9061/X-01-50	70/00555526

## General accessories

Part	Load current $I_{nom.} = I_N$	Part no.
Super fast semi-conductor fuse 40A-AC690V	$I_N = 20A$	70/00513108
Super fast semi-conductor fuse 80A-AC690V	$I_N = 32A$	70/00068011
Super fast semi-conductor fuse 80A -AC690V	$I_N = 50A$	70/00068011
Super fast semi-conductor fuse 160A-AC690V	$I_N = 100A$	70/00081801
Super fast semi-conductor fuse 350A -AC690V	$I_N = 150A$	70/00083318
Super fast semi-conductor fuse 550A-AC690V	$I_N = 200A$	70/00083318
Super fast semi-conductor fuse 550A -AC690V	$I_N = 250A$	70/00083318