

## Test disconnect terminal block - RT 5-T - 3049039

Please be informed that the data shown in this PDF Document is generated from our Online Catalog. Please find the complete data in the user's documentation. Our General Terms of Use for Downloads are valid (<http://phoenixcontact.com/download>)




Test disconnect terminal block, Connection type: Bolt connection, Cross section: 0.1 mm<sup>2</sup> - 6 mm<sup>2</sup>, AWG: 26 - 10, Nominal current: 41 A, Nominal voltage: 1000 V, Length: 91.4 mm, Width: 16.3 mm, Color: gray, Assembly: NS 35/7,5, NS 35/15

### Why buy this product

- ✓ The special clamping nuts can be actuated with a normal screwdriver
- ✓ Tested for railway applications
- ✓ Quick and easy connection thanks to hinged cover flaps which hold the clamping nuts captive. When the flaps are open, the connection bolt is freely accessible and the cable lugs can be hooked in; after closing and engaging the flaps
- ✓ Easy bridging and potential distribution using the patented plug-in bridges from the CLIPLINE complete system
- ✓ The screws are secured against loosening by captive spring-loaded spacers
- ✓ Large-surface labeling options in the terminal center and above the terminal points
- ✓ The use of the switching lock effectively prevents unintentional switching
- ✓ The hinged cover cover the live metal parts including the insulated cable lugs in the clamping area so that they are touch proof
- ✓ Testing with the standardized test adapters and test plugs of the CLIPLINE complete system



### Key commercial data

|                                      |   |
|--------------------------------------|---|
| Packing unit                         | 25 pc   |
| Minimum order quantity               | 25 pc   |
| GTIN                                 | <br>4 046356 139991 |
| Weight per Piece (excluding packing) | 51.44 g   |
| Custom tariff number                 | 85369010  |
| Country of origin                    | China   |

### Technical data

#### General

|                       |   |
|-----------------------|---|
| Note                  | Note: the BE-RT... path extension is to be used for non-insulated cable lugs (see accessories). |
| Number of levels      | 1   |
| Number of connections | 2   |
| Color                 | gray  |

# Test disconnect terminal block - RT 5-T - 3049039

## Technical data

### General

|   |  |
|---|--|
| Insulating material   | PA   |
| Inflammability class according to UL 94   | V0   |
| Area of application   | Railway industry                                       |
|   | Mechanical engineering                                 |
|   | Plant engineering                                      |
| Maximum load current  | 41 A (with 6 mm <sup>2</sup> conductor cross section)  |
| Rated surge voltage   | 6 kV   |
| Pollution degree  | 3  |
| Surge voltage category  | III  |
| Insulating material group   | I  |
| Connection in acc. with standard  | IEC 60947-7-1  |
| Maximum load current  | 41 A (with 6 mm <sup>2</sup> conductor cross section)  |
| Nominal current I <sub>N</sub>  | 41 A   |
| Nominal voltage U <sub>N</sub>  | 1000 V (Rated voltage for open disconnect point 500 V) |
| Maximum load current  | 41 A (with 6 mm <sup>2</sup> conductor cross section)  |
| Open side panel   | ja   |
| Shock protection test specification   | DIN EN 50274 (VDE 0660-514):2002-11                    |
| Back of the hand protection   | guaranteed   |
| Finger protection   | guaranteed   |
| Surge voltage test setpoint   | 7.3 kV   |
| Result of surge voltage test  | Test passed  |
| Power frequency withstand voltage setpoint                                      | 1.89 kV  |
| Result of power-frequency withstand voltage test                                | Test passed  |
| Checking the mechanical stability of terminal points (5 x conductor connection) | Test passed  |
| Tight fit on carrier  | NS 35  |
| Setpoint  | 5 N  |
| Result of tight fit test  | Test passed  |
| Result of voltage drop test   | Test passed  |
| Temperature-rise test   | Test passed  |
| Conductor cross section short circuit testing                                   | 6 mm <sup>2</sup>                                      |
| Short-time current  | 0.72 kA  |
| Short circuit stability result  | Test passed  |
| Proof of thermal characteristics (needle flame) effective duration              | 30 s   |
| Result of thermal test  | Test passed  |
| Test specification, oscillation, broadband noise                                | DIN EN 50155 (VDE 0115-200):2008-03                    |
| Test spectrum   | Service life test category 1, class B, body mounted    |
| Test frequency  | f <sub>1</sub> = 5 Hz to f <sub>2</sub> = 150 Hz       |
| ASD level   | 0.02 g <sup>2</sup> /Hz                                |
| Acceleration  | 0.8g   |
| Test duration per axis  | 5 h  |

# Test disconnect terminal block - RT 5-T - 3049039

## Technical data

### General

|   |                                     |
|---|-------------------------------------|
| Test directions   | X-, Y- and Z-axis                   |
| Oscillation, broadband noise test result                              | Test passed                         |
| Test specification, shock test  | DIN EN 50155 (VDE 0115-200):2008-03 |
| Shock form  | Half-sine                           |
| Acceleration  | 5 g                                 |
| Shock duration  | 30 ms                               |
| Number of shocks per direction  | 3                                   |
| Test directions   | X-, Y- and Z-axis (pos. and neg.)   |
| Shock test result   | Test passed                         |
| Temperature index, insulating material (DIN EN 60216-1 (VDE 0304-21)) | 120 °C                              |

### Dimensions

|                  |         |
|------------------|---------|
| Width            | 16.3 mm |
| End cover width  | 2.2 mm  |
| Length           | 91.4 mm |
| Height NS 35/7,5 | 51 mm   |
| Height NS 35/15  | 58.5 mm |

### Connection data

|   |                     |
|---|---------------------|
| Note  | Connection bolts    |
| Connection in acc. with standard            | IEC 60947-7-1       |
| Connection method                           | Bolt connection     |
| Conductor cross section solid min.          | 0.1 mm <sup>2</sup> |
| Conductor cross section solid max.          | 6 mm <sup>2</sup>   |
| Conductor cross section AWG/kcmil min.      | 26                  |
| Conductor cross section AWG/kcmil max.      | 10                  |
| Conductor cross section stranded min.       | 0.1 mm <sup>2</sup> |
| Conductor cross section stranded max.       | 6 mm <sup>2</sup>   |
| Min. AWG conductor cross section, stranded  | 26                  |
| Max. AWG conductor cross section, stranded  | 10                  |
| Cable lug connection according to standard  | DIN 46 234          |
| Min. cross section for cable lug connection | 0.5 mm <sup>2</sup> |
| Max. cross section for cable lug connection | 6 mm <sup>2</sup>   |
| Cable lug connection according to standard  | DIN 46237           |
| Min. cross section                          | 1 mm <sup>2</sup>   |
| Max. cross section                          | 6 mm <sup>2</sup>   |
| Screw thread                                | M5                  |
| Tightening torque, min                      | 2.5 Nm              |
| Tightening torque max                       | 3 Nm                |
| Screw thread                                | M4                  |
| Tightening torque, min                      | 1.5 Nm              |

# Test disconnect terminal block - RT 5-T - 3049039

## Technical data

### Connection data

|                       |        |
|-----------------------|--------|
| Tightening torque max | 1.8 Nm |
|-----------------------|--------|

## Classifications

### eCl@ss

|            |          |
|------------|----------|
| eCl@ss 4.0 | 27141126 |
| eCl@ss 4.1 | 27141126 |
| eCl@ss 5.0 | 27141126 |
| eCl@ss 5.1 | 27141126 |
| eCl@ss 6.0 | 27141126 |
| eCl@ss 7.0 | 27141126 |

### ETIM

|          |          |
|----------|----------|
| ETIM 2.0 | EC000902 |
| ETIM 3.0 | EC000902 |
| ETIM 4.0 | EC000902 |
| ETIM 5.0 | EC000902 |

### UNSPSC

|               |          |
|---------------|----------|
| UNSPSC 6.01   | 30211811 |
| UNSPSC 7.0901 | 39121410 |
| UNSPSC 11     | 39121410 |
| UNSPSC 12.01  | 39121410 |
| UNSPSC 13.2   | 39121410 |

## Approvals

### Approvals

---

#### Approvals

UL Recognized / cUL Recognized / EAC / ABS / cULus Recognized

---

#### Ex Approvals

---

#### Approvals submitted

---

### Approval details

# Test disconnect terminal block - RT 5-T - 3049039

## Approvals

|                    |       |       |
|--------------------|-------|-------|
| UL Recognized      |       |       |
|                    | B     | C     |
| Nominal current IN | 30 A  | 30 A  |
| Nominal voltage UN | 600 V | 600 V |

|                    |       |       |
|--------------------|-------|-------|
| cUL Recognized     |       |       |
|                    | B     | C     |
| Nominal current IN | 30 A  | 30 A  |
| Nominal voltage UN | 600 V | 600 V |

|     |
|-----|
| EAC |
|-----|

|     |
|-----|
| ABS |
|-----|

|                  |
|------------------|
| cULus Recognized |
|------------------|

## Accessories

### Accessories

#### End block

End clamp - CLIPFIX 35 - 3022218



Quick mounting end clamp for NS 35/7,5 DIN rail or NS 35/15 DIN rail, with marking option, width: 9.5 mm, color: gray

End clamp - CLIPFIX 35-5 - 3022276



Quick mounting end clamp for NS 35/7,5 DIN rail or NS 35/15 DIN rail, with marking option, with parking option for FBS...5, FBS...6, KSS 5, KSS 6, width: 5.15 mm, color: gray

## Test disconnect terminal block - RT 5-T - 3049039

### Accessories

End clamp - E/NS 35 N - 0800886



End clamp, width: 9.5 mm, color: gray

---

End clamp - E/UK - 1201442



End clamp, for assembly on NS 32 or NS 35/7.5 DIN rail

---

End clamp - E/UK 1 - 1201413



End clamps, for supporting the ends of double-level and three-level terminal blocks, width: 10 mm, color: gray

---

End cover

End cover - D-RT 5-T - 3049291



End cover, Length: 90.4 mm, Width: 2.2 mm, Height: 42.2 mm, Color: gray

---

Path extension - BE-RT 3/5 - 3049819



Path extension, Color: gray

---

Insulating sleeve

## Test disconnect terminal block - RT 5-T - 3049039

### Accessories

Insulating sleeve - MPS-IH WH - 0201663



Insulating sleeve, Color: white

---

Insulating sleeve - MPS-IH RD - 0201676



Insulating sleeve, Color: red

---

Insulating sleeve - MPS-IH BU - 0201689



Insulating sleeve, Color: blue

---

Insulating sleeve - MPS-IH YE - 0201692



Insulating sleeve, Color: yellow

---

Insulating sleeve - MPS-IH GN - 0201702



Insulating sleeve, Color: green

---

## Test disconnect terminal block - RT 5-T - 3049039

### Accessories

Insulating sleeve - MPS-IH GY - 0201728



Insulating sleeve, Color: gray

---

Insulating sleeve - MPS-IH BK - 0201731



Insulating sleeve, Color: black

---

### Jumper

Plug-in bridge - FBS 2-8 - 3030284



Plug-in bridge, Length: 29.6 mm, Width: 14.7 mm, Number of positions: 2, Color: red

---

Plug-in bridge - FBS 3-8 - 3030297



Plug-in bridge, Number of positions: 3, Color: red

---

Plug-in bridge - FBS 4-8 - 3030307



Plug-in bridge, Number of positions: 4, Color: red

---

## Test disconnect terminal block - RT 5-T - 3049039

### Accessories

Plug-in bridge - FBS 5-8 - 3030310



Plug-in bridge, Number of positions: 5, Color: red

---

Plug-in bridge - FBS 10-8 - 3030323



Plug-in bridge, Number of positions: 10, Color: red

---

Plug-in bridge - FBSR 2-8 - 3033808



Plug-in bridge, Number of positions: 2, Color: red

---

Plug-in bridge - FBSR 3-8 - 3001597



Plug-in bridge, Number of positions: 3, Color: red

---

Plug-in bridge - FBSR 4-8 - 3000585



Plug-in bridge, Number of positions: 4, Color: red

---

## Test disconnect terminal block - RT 5-T - 3049039

### Accessories

Plug-in bridge - FBSR 5-8 - 3033809



Plug-in bridge, Number of positions: 5, Color: red

---

Plug-in bridge - FBSR 10-8 - 3001599



Plug-in bridge, Number of positions: 10, Color: red

---

Plug-in bridge - FBSRH 2-8 - 3033802



Plug-in bridge, Number of positions: 2, Color: red

---

Plug-in bridge - FBSRH 3-8 - 3033803



Plug-in bridge, Number of positions: 3, Color: red

---

Plug-in bridge - FBSRH 4-8 - 3033804



Plug-in bridge, Number of positions: 4, Color: red

---

Labeled terminal marker

## Test disconnect terminal block - RT 5-T - 3049039

### Accessories

#### Zack marker strip - ZB 12 CUS - 0824942



Zack marker strip, can be ordered: Strip, white, labeled according to customer specifications, Mounting type: Snap into tall marker groove, for terminal block width: 12.2 mm, Lettering field: 10.5 x 12.15 mm

---

#### Marker for terminal blocks - ZB 12,LGS:L1-N,PE - 0812146



Marker for terminal blocks, Strip, white, labeled, Printed horizontally: L1, L2, L3, N, PE, Mounting type: Snap into tall marker groove, for terminal block width: 12.2 mm, Lettering field: 10.5 x 12.15 mm

---

#### Marker for terminal blocks - UC-TM 12 CUS - 0824613



Marker for terminal blocks, can be ordered: by sheet, white, labeled according to customer specifications, Mounting type: Snap into tall marker groove, for terminal block width: 12 mm, Lettering field: 11.45 x 10.5 mm

---

#### Marker for terminal blocks - UCT-TM 12 CUS - 0829630



Marker for terminal blocks, can be ordered: by sheet, white, labeled according to customer specifications, Mounting type: Snap into tall marker groove, for terminal block width: 12 mm, Lettering field: 10.8 x 9.6 mm

---

#### Zack marker strip - ZB 16,3 CUS - 0824946



Zack marker strip, can be ordered: Strip, white, labeled according to customer specifications, Mounting type: Snap into tall marker groove, for terminal block width: 16.3 mm, Lettering field: 10.5 x 16.25 mm

---

### Mounting rail

## Test disconnect terminal block - RT 5-T - 3049039

### Accessories

DIN rail perforated - NS 35/ 7,5 PERF 2000MM - 0801733



DIN rail, material: steel galvanized and passivated with a thick layer, perforated, height 7.5 mm, width 35 mm, length: 2000 mm

---

DIN rail, unperforated - NS 35/ 7,5 UNPERF 2000MM - 0801681



DIN rail, material: Steel, unperforated, height 7.5 mm, width 35 mm, length: 2 m

---

DIN rail perforated - NS 35/ 7,5 WH PERF 2000MM - 1204119



DIN rail 35 mm (NS 35)

---

DIN rail - NS 35/ 7,5 WH UNPERF 2000MM - 1204122



DIN rail 35 mm (NS 35)

---

DIN rail, unperforated - NS 35/ 7,5 AL UNPERF 2000MM - 0801704



DIN rail, unperforated, Width: 35 mm, Height: 7.5 mm, Length: 2000 mm, Color: silver

---

## Test disconnect terminal block - RT 5-T - 3049039

### Accessories

DIN rail perforated - NS 35/ 7,5 ZN PERF 2000MM - 1206421



DIN rail, material: Galvanized, perforated, height 7.5 mm, width 35 mm, length: 2 m

---

DIN rail, unperforated - NS 35/ 7,5 ZN UNPERF 2000MM - 1206434



DIN rail, material: Galvanized, unperforated, height 7.5 mm, width 35 mm, length: 2 m

---

DIN rail, unperforated - NS 35/ 7,5 CU UNPERF 2000MM - 0801762



DIN rail, material: Copper, unperforated, height 7.5 mm, width 35 mm, length: 2 m

---

End cap - NS 35/ 7,5 CAP - 1206560



DIN rail end piece, for DIN rail NS 35/7.5

---

DIN rail perforated - NS 35/15 PERF 2000MM - 1201730



DIN rail, material: steel galvanized and passivated with a thick layer, perforated, height 15 mm, width 35 mm, length: 2000 mm

---

## Test disconnect terminal block - RT 5-T - 3049039

### Accessories

DIN rail, unperforated - NS 35/15 UNPERF 2000MM - 1201714



DIN rail, material: Steel, unperforated, height 15 mm, width 35 mm, length: 2 m

---

DIN rail perforated - NS 35/15 WH PERF 2000MM - 0806602



DIN rail 35 mm (NS 35)

---

DIN rail - NS 35/15 WH UNPERF 2000MM - 1204135



DIN rail 35 mm (NS 35)

---

DIN rail, unperforated - NS 35/15 AL UNPERF 2000MM - 1201756



DIN rail, deep drawn, high profile, unperforated, 1.5 mm thick, material: aluminum, height 15 mm, width 35 mm, length 2000 mm

---

DIN rail perforated - NS 35/15 ZN PERF 2000MM - 1206599



DIN rail, material: Galvanized, perforated, height 15 mm, width 35 mm, length: 2 m

---

## Test disconnect terminal block - RT 5-T - 3049039

### Accessories

DIN rail, unperforated - NS 35/15 ZN UNPERF 2000MM - 1206586



DIN rail, material: Galvanized, unperforated, height 15 mm, width 35 mm, length: 2 m

---

DIN rail, unperforated - NS 35/15 CU UNPERF 2000MM - 1201895



DIN rail, material: Copper, unperforated, 1.5 mm thick, height 15 mm, width 35 mm, length: 2 m

---

End cap - NS 35/15 CAP - 1206573



DIN rail end piece, for DIN rail NS 35/15

---

DIN rail, unperforated - NS 35/15-2,3 UNPERF 2000MM - 1201798



DIN rail, material: Steel, unperforated, 2.3 mm thick, height 15 mm, width 35 mm, length: 2 m

---

### Partition plate

Partition plate - TPNS-UK - 0706647



Partition plate, Length: 80 mm, Width: 2 mm, Height: 70 mm, Color: gray

---

## Test disconnect terminal block - RT 5-T - 3049039

### Accessories

Spacer plate - DP PS-8 - 3036741



Spacer plate, Color: red

---

### Screwdriver tools

Screwdriver - SZS 0,6X3,5 - 1205053



Actuation tool, for ST terminal blocks, insulated, also suitable for use as a bladed screwdriver, size: 0.6 x 3.5 x 100 mm, 2-component grip, with non-slip grip

---

### Terminal marking

Zack marker strip - ZB 12:UNPRINTED - 0812120



Zack marker strip, Strip, white, unlabeled, can be labeled with: Plotter, Mounting type: Snap into tall marker groove, for terminal block width: 12.2 mm, Lettering field: 12 x 10.5 mm

---

Marker for terminal blocks - UC-TM 12 - 0819194



Marker for terminal blocks, Sheet, white, unlabeled, can be labeled with: BLUEMARK CLED, BLUEMARK LED, Plotter, Mounting type: Snap into tall marker groove, for terminal block width: 12 mm, Lettering field: 11.45 x 10.5 mm

---

Marker for terminal blocks - UCT-TM 12 - 0829144



Marker for terminal blocks, Sheet, white, unlabeled, can be labeled with: THERMOMARK CARD, BLUEMARK CLED, BLUEMARK LED, TOPMARK LASER, Mounting type: Snap into tall marker groove, for terminal block width: 12 mm, Lettering field: 10.8 x 9.6 mm

## Test disconnect terminal block - RT 5-T - 3049039

### Accessories

Zack marker strip - ZB 16,3:UNPRINTED - 0820222



Zack marker strip, Strip, white, unlabeled, can be labeled with: Plotter, Mounting type: Snap into tall marker groove, for terminal block width: 16.3 mm, Lettering field: 10.5 x 16.25 mm

---

### Test plug terminal block

Test plugs - MPS-MT - 0201744



Test plugs, Color: silver

---

Test plugs - PAI-4-N GY - 3032871



Test plugs, Color: gray

---

Test plugs - PS-8 - 3031005



Test plugs, Color: red

---

Test adapter - PS-8/2,3MM RD - 3048564



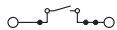
Test adapter, Color: red

---

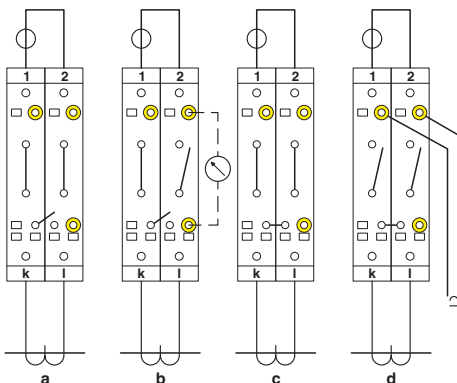
### Drawings

# Test disconnect terminal block - RT 5-T - 3049039

Circuit diagram



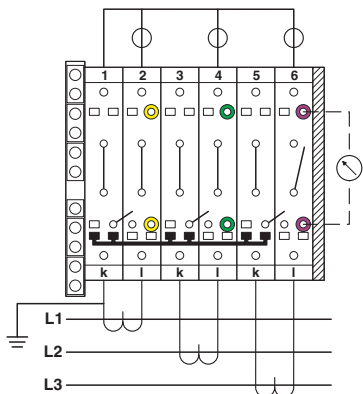
Connection diagram



Simple current transformer test circuit

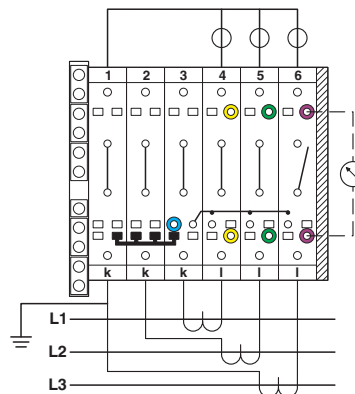
- a = normal operation
- b = measured value testing
- c = transformer testing
- d = relay testing

Connection diagram



Three-phase transducer test set

Connection diagram



Three-phase linked transducer test set