

PRODUCT UPDATE

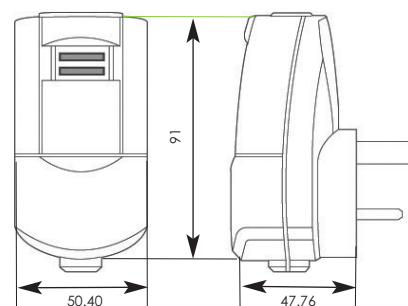
All PowerBreaker RCD plugs and adaptors feature -

- Electrically latched (needs resetting after power loss)
- Single button test/reset operation
- Large easy to see trip indicator
- Conforms to BS 7071, BS 1363

Technical Data

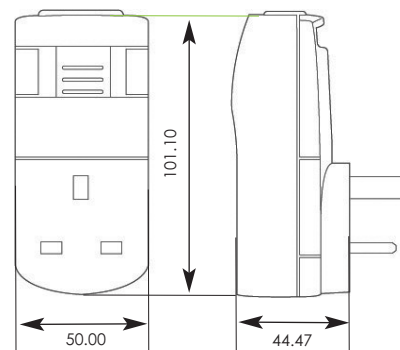
Rated voltage	230V AC 50Hz
Max operating current	13A (3A inductive)
Rated trip current	30mA
Typical trip speed	<40mS
RCD contact break	Double pole
Latching	Electrical. Needs resetting after power loss (Active)
Responsive to	Pulsating DC earth faults

J72G-C
RCD Plug
White



J72G-C

J02-C
RCD Adaptor
White



J02-C

**Oct
2012**