

**Ordering number C11192_TUIJA-3-SS**

Family	Tuija	FWHM	10 degrees
Type	Lens array	Efficiency	90 %
LED	Oslon SSL 80	cd/Im	4.600
Color	Clear	Gerber File	Available
Diameter	50 mm		
Height	14.5 mm		
Style	Round	MR16 Applications	
Optic Material	PMMA		
Holder Material	-		
Fastening	Pin, glue		
Status	Ready		

**Ordering number C11193_TUIJA-3-M**

Family	Tuija	FWHM	14 degrees
Type	Lens array	Efficiency	82 %
LED	Oslon SSL 80	cd/Im	2.100
Color	Clear	Gerber File	Available
Diameter	50 mm		
Height	14.5 mm		
Style	Round	MR16 Applications	
Optic Material	PMMA		
Holder Material	-		
Fastening	Pin, glue		
Status	Ready		

**Ordering number C12150_TUIJA-3-M2**

Family	Tuija	FWHM	40 degrees
Type	Lens array	Efficiency	87 %
LED	Oslon SSL 80	cd/Im	1.700
Color	Clear	Gerber File	Available
Diameter	50 mm		
Height	14.5 mm		
Style	Round	MR16 Applications	
Optic Material	PMMA		
Holder Material	-		
Fastening	Pin, glue		
Status	Ready		

**Ordering number C11191_TUIJA-3-W**

Family	Tuija	FWHM	46 degrees
Type	Lens array	Efficiency	86 %
LED	Oslon SSL 80	cd/Im	0.440
Color	Clear	Gerber File	Available
Diameter	50 mm		
Height	14.5 mm		
Style	Round	MR16 Applications	
Optic Material	PMMA		
Holder Material	-		
Fastening	Pin, glue		
Status	Ready		



PRODUCT DATASHEET
Tuija series
last update 18/4/2012



NOTE: The typical divergence will be changed by different color, chip size and chip position tolerance. The typical total divergence is the full angle measured where the luminous intensity is half of the peak value.



PRODUCT DATASHEET

Tuija series

last update 18/4/2012



GENERAL INFORMATION

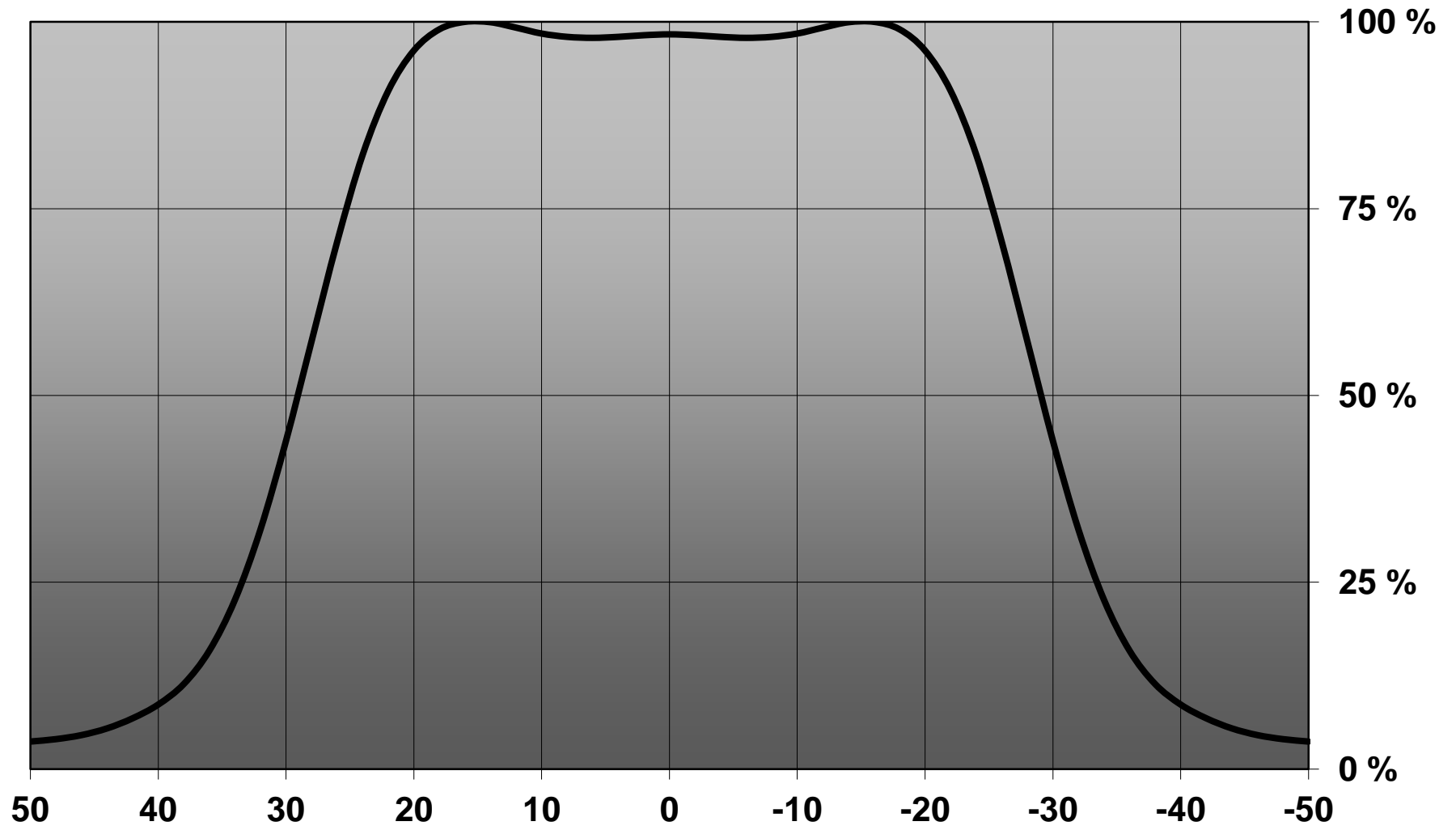
- Product series especially designed & optimized for Oslon SSL 80 series of LEDs.
- Special care taken to make light distribution as uniform as possible.
- Lens material optical grade PMMA with high UV and temperature resistance. Allows use of high current and temperature conditions.

Please find more information about used material from below:

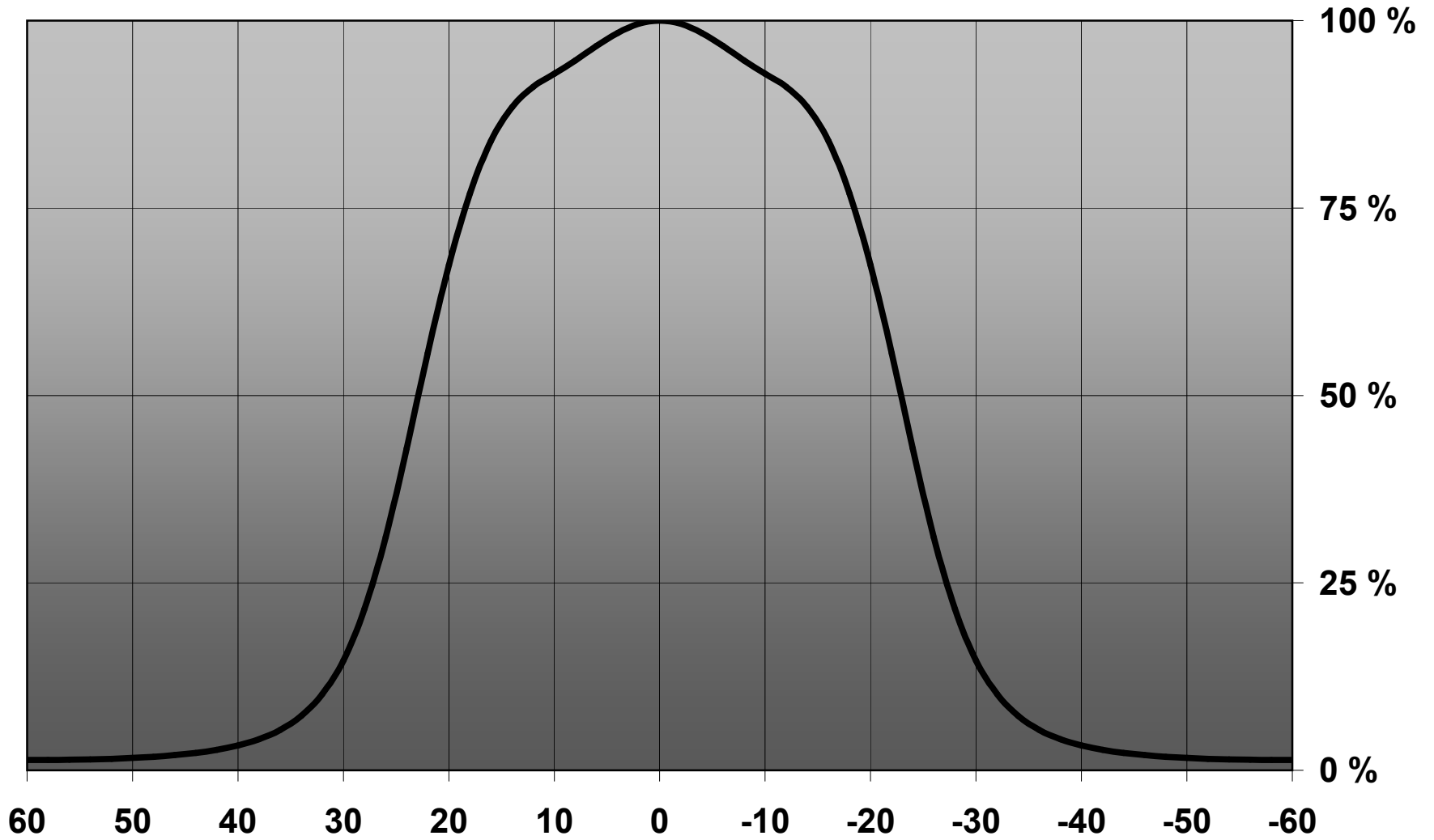
http://ledil.fi/sites/default/files/Documents/Technical/Material/PMMA%20N%20UL94_Yellow%20Card.pdf

<http://ledil.fi/sites/default/files/Documents/Technical/Material/PMMA%20N%20PLEXIGLAS-Datasheet.pdf>

Relative Intensity of C11191_Tuija-3-W-DD



Relative Intensity of C11191_Tuija-3-W-OSL



D C B A

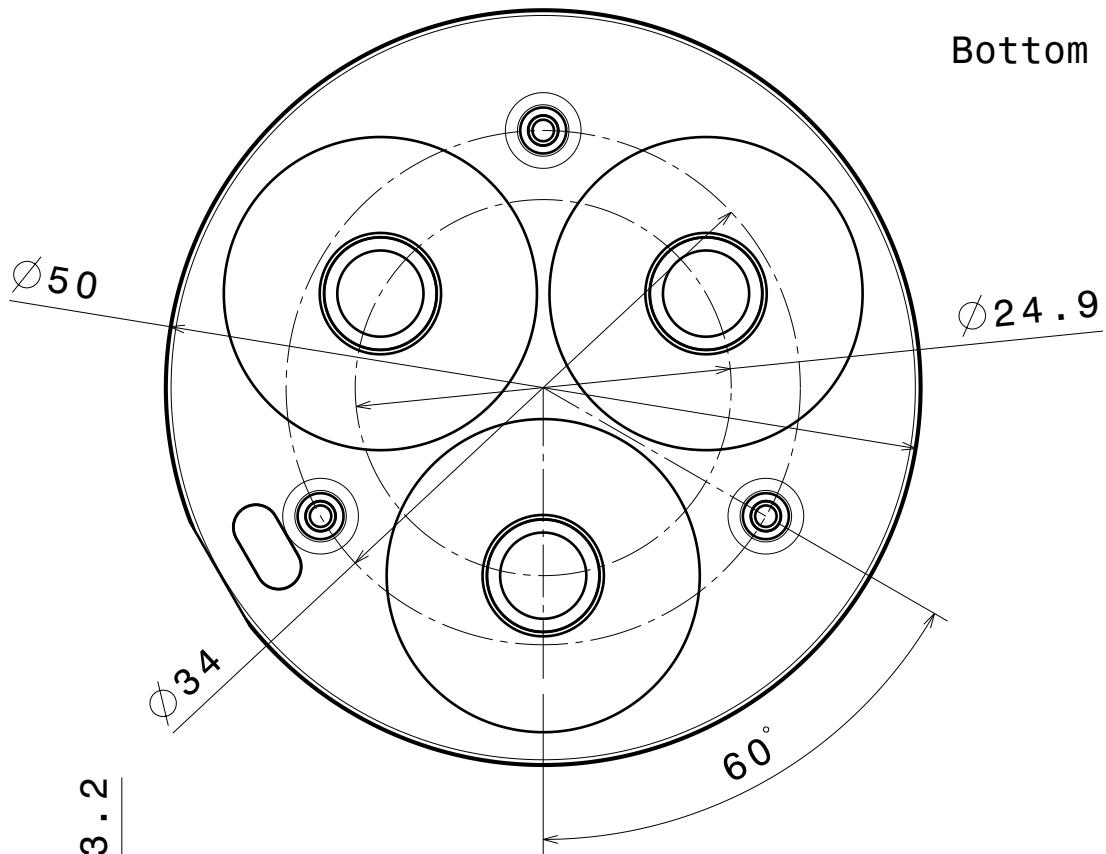
4

3

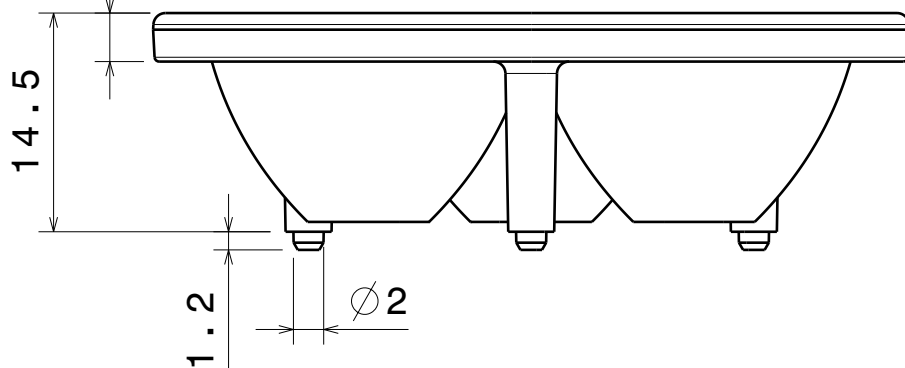
2

1

Bottom view



Front view



Material:
Lens PMMA

Part no.s:
C11191_Tuija-3-W
C11192_Tuija-3-SS
C11193_Tuija-3-M

Tolerances:
Dimensions less < 20mm ± 0.1 mm
Dimensions between (21-45)mm ± 0.2 mm
Dimensions between (46-90)mm ± 0.3 mm

This drawing is our property.
It can't be reproduced
or communicated without
our written agreement.



L
T
F
F

e
e
i
i
N
n

d

DRAWING TITLE

Datasheet Tuija-3 lens

DRAWN BY p	DATE 12.10.2009	DRAWING TITLE Datasheet Tuija-3 lens		
CHECKED BY t k	DATE 09.10.2009	SIZE A4	DRAWING NUMBER C11191-193	REV 1
DESIGNED BY HH	DATE 29.05.2007	SCALE 2:1	WEIGHT (g)	SHEET 1/1

D A