

3477UAR125P62 red

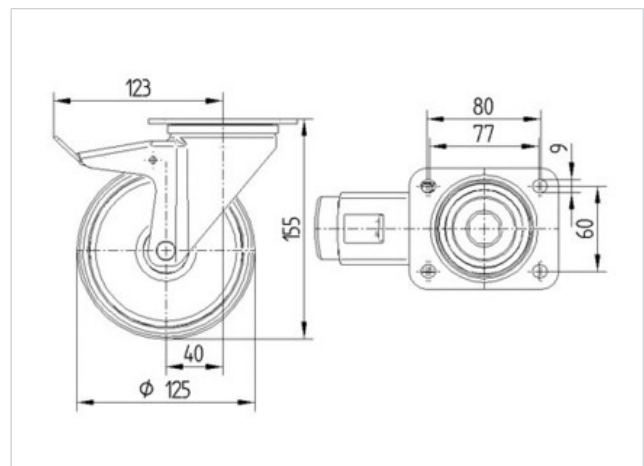
EAN 4031582305760

Swivel castor with total lock, tail end of castor, housing made of pressed steel, bright zinc plated, blue passivated, double ball bearing swivel head, wheel axle with nut, dustguard, plate fitting. Wheel centre made of Polyamide, Tread: Polyurethane, roller bearing



Technical Data

Wheel diameter	125 mm
Width of Tread	32 mm
Size of Plate	105 x 85 mm
Plate hole centres	80/77 x 60 mm
Plate hole	9 mm
Offset	40 mm
Swivel Interference	246 mm
Overall height	155 mm
Temperature	- 40 / + 80 °C
Standard	EN 12532
Weight	1.086 kg
Swivel Radius	123 mm
Hardness of tread	D 60 Shore
Load capacity	200 kg
Load capacity (static)	400 kg



Roll performance	+	+	+	+	+
Movement noise	+	+	+	+	+
Attrition	+	+	+	+	+
Corrosion resistance	+	+	+	+	+

Product Information



3477UAR125P62 red

EAN 4031582305760

