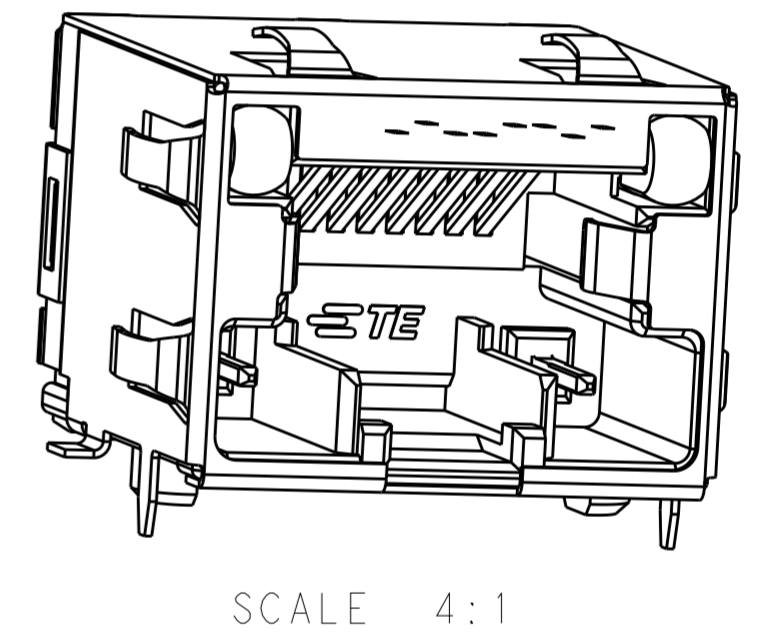
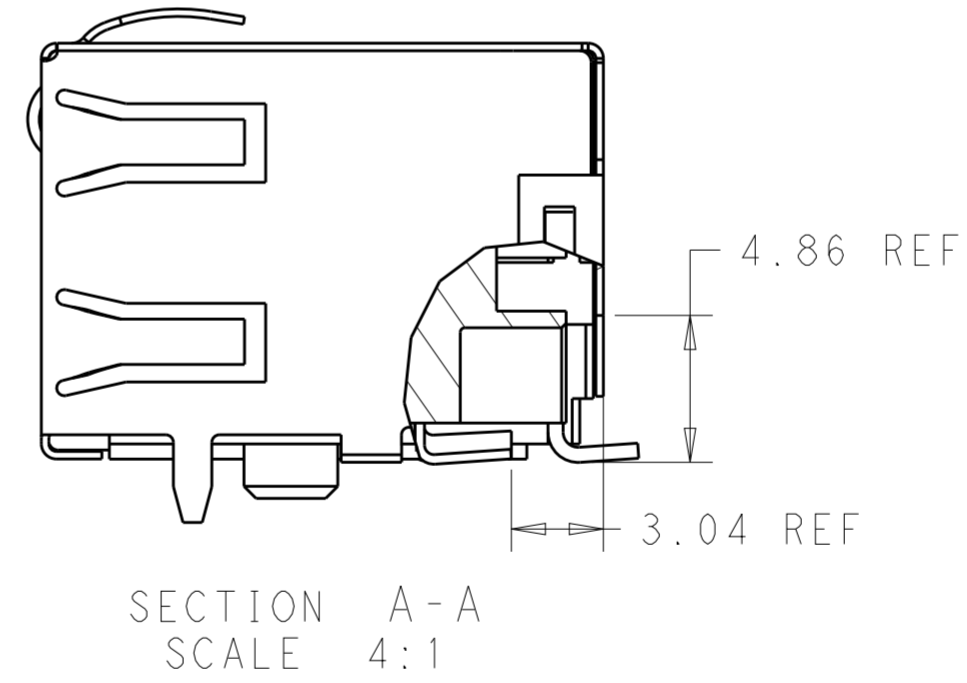
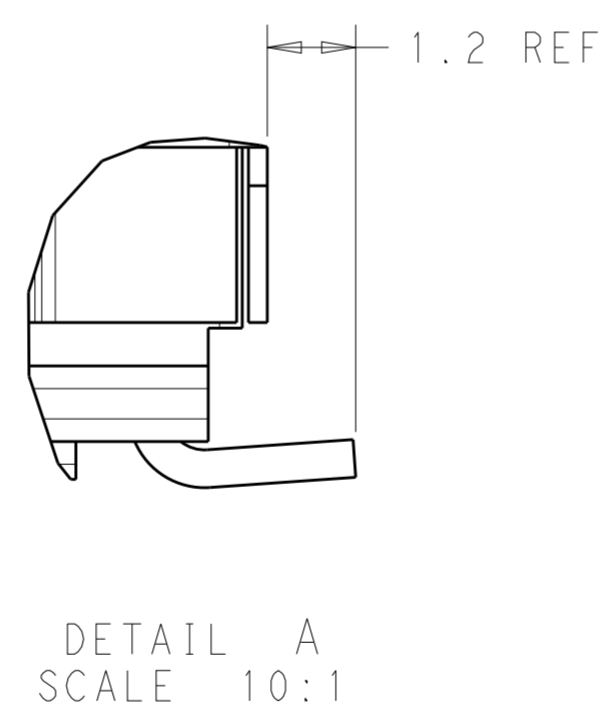
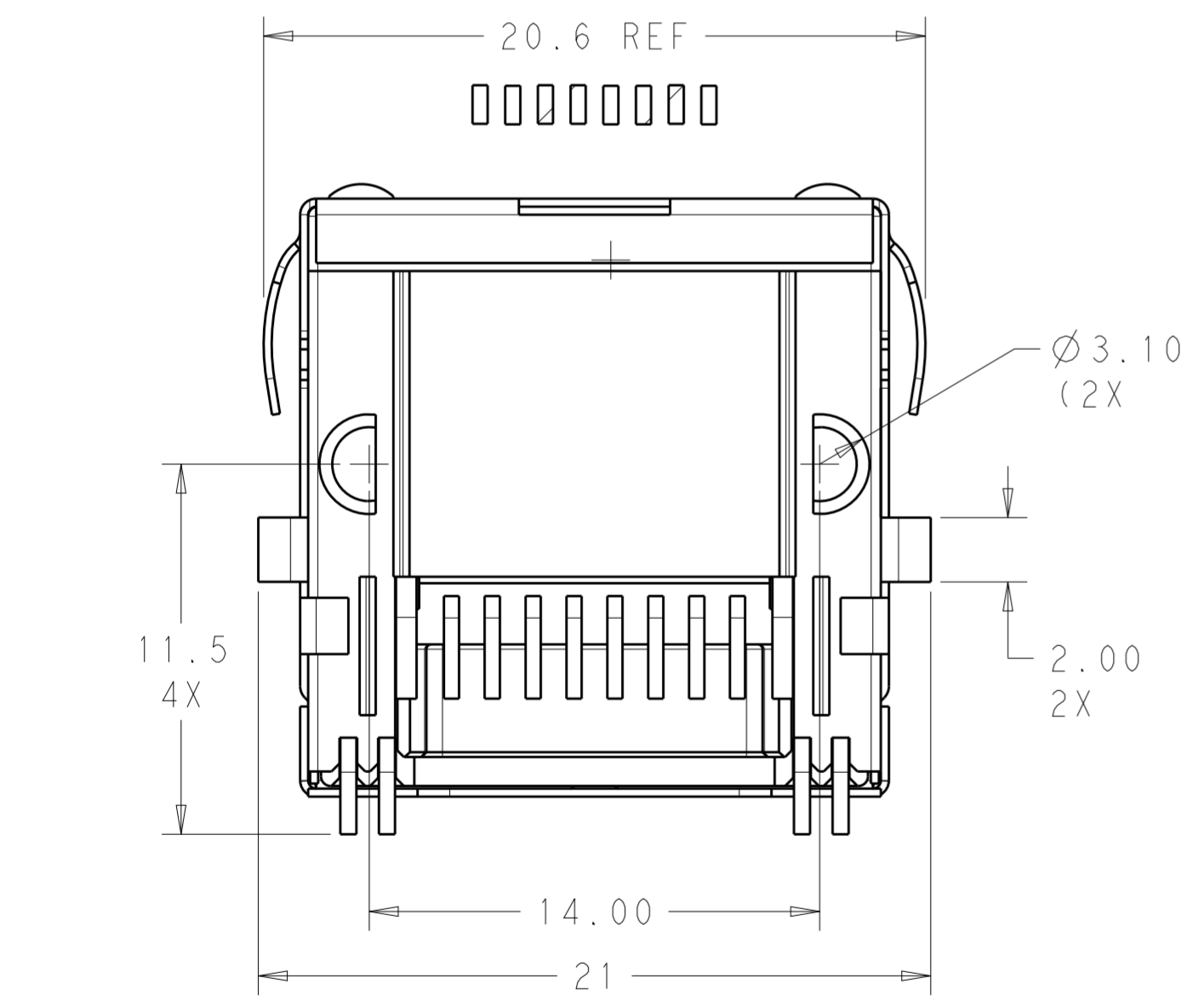
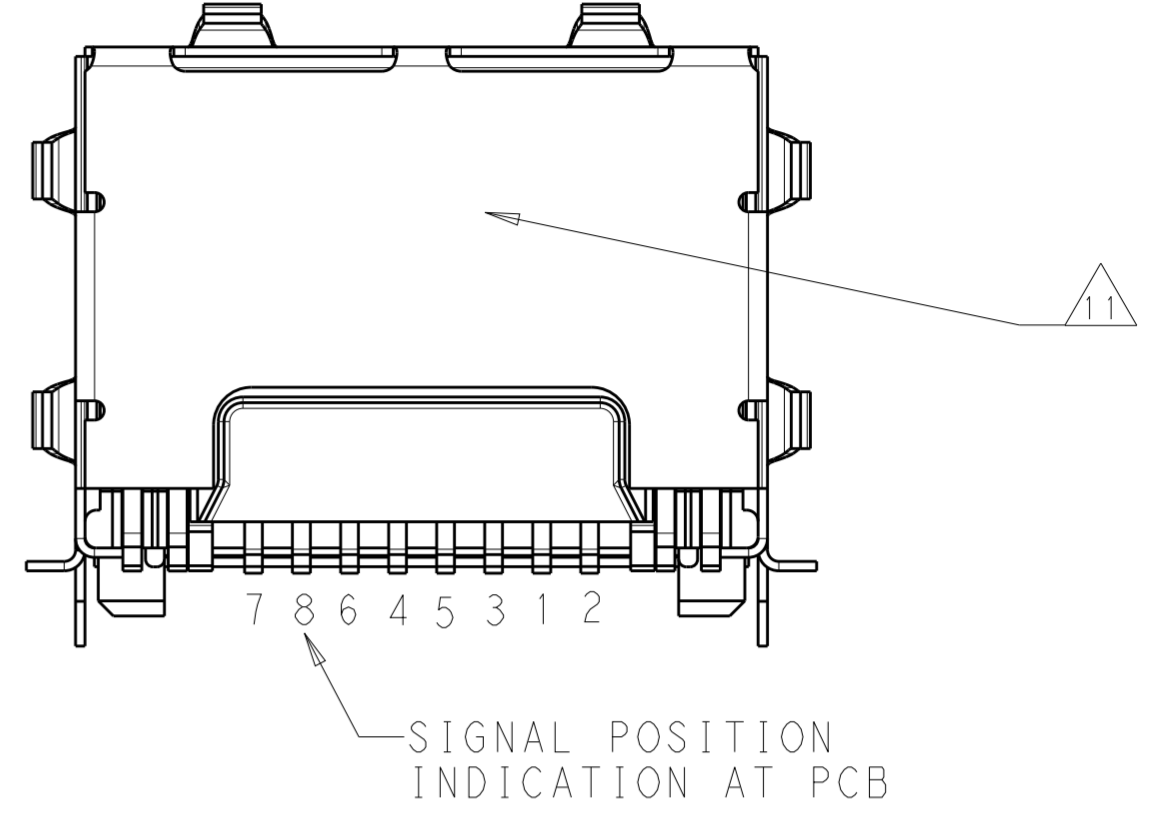
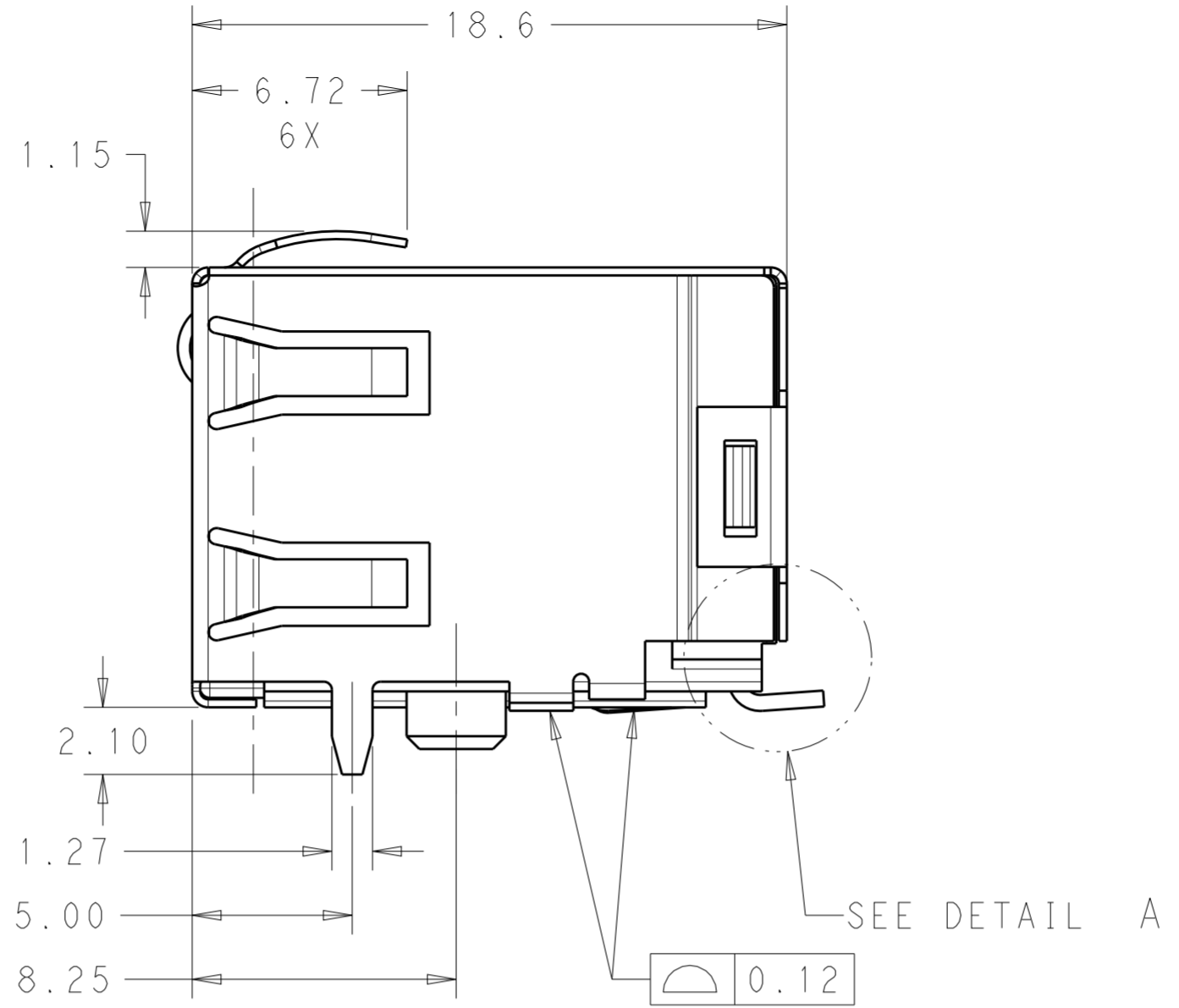
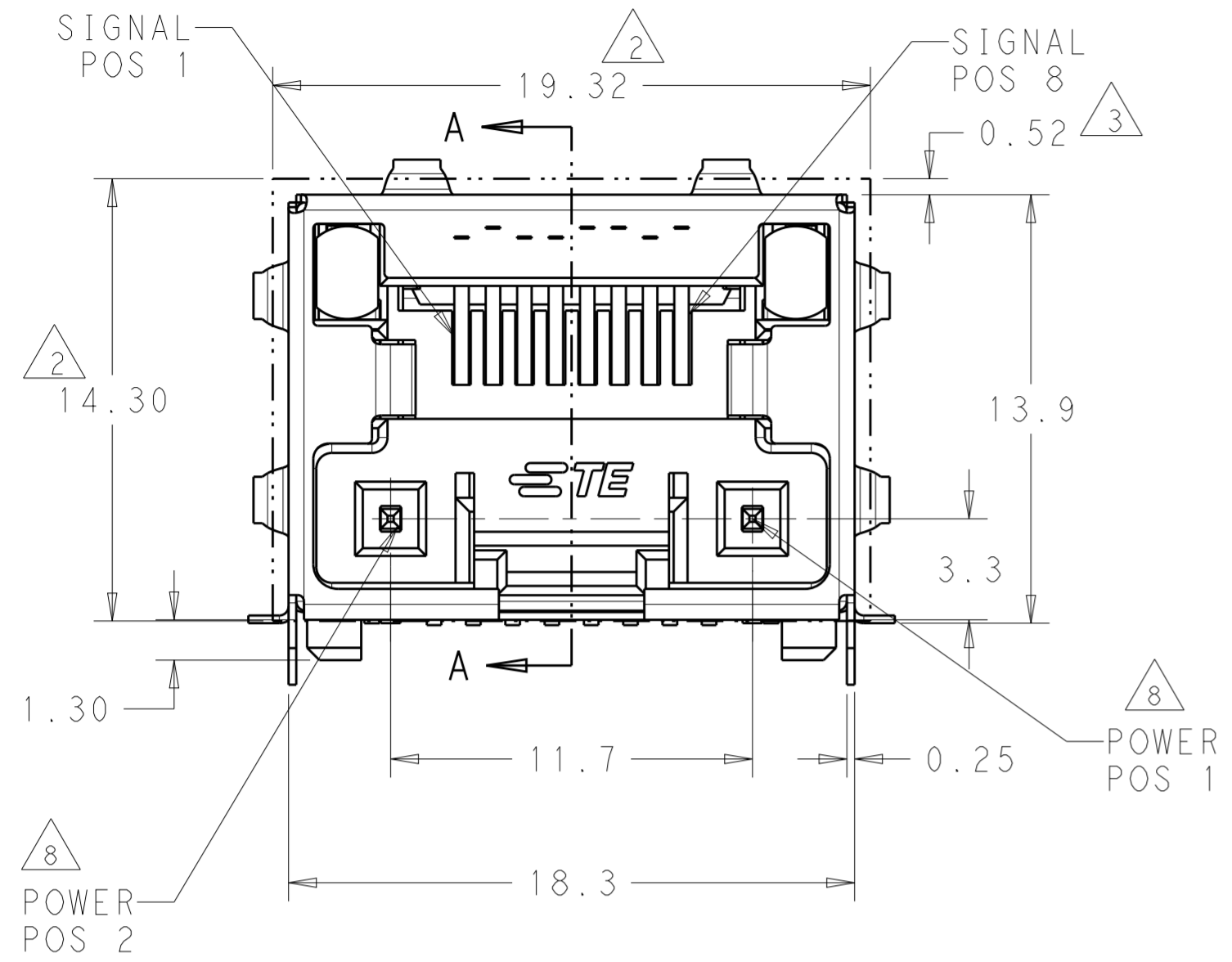


THIS DRAWING IS UNPUBLISHED. RELEASED FOR PUBLICATION 2012
 © COPYRIGHT 2012 Tyco Electronics AMP GmbH ALL RIGHTS RESERVED.

LOC	DIST	REVISIONS			
P	LTR	DESCRIPTION	DATE	DWN	APVD
AI	-				
7		UPDATE PCB ADD APP SPEC	11JAN2013	MM	MM
8		CLARIFICATION	12MAR2013	MM	MM
9		ADD 18.6, 11.5, CORRECT NOTE 5	03MAY2013	MM	MM
10		REMOVE PRELIM NOTE, UPDATE NOTE 1	05SEP2013	MM	MM



JACK ASSEMBLY W/O POWER CONTACTS	2178126-2
JACK ASSEMBLY W/POWER CONTACTS	2178126-1
DESCRIPTION	PART NUMBER

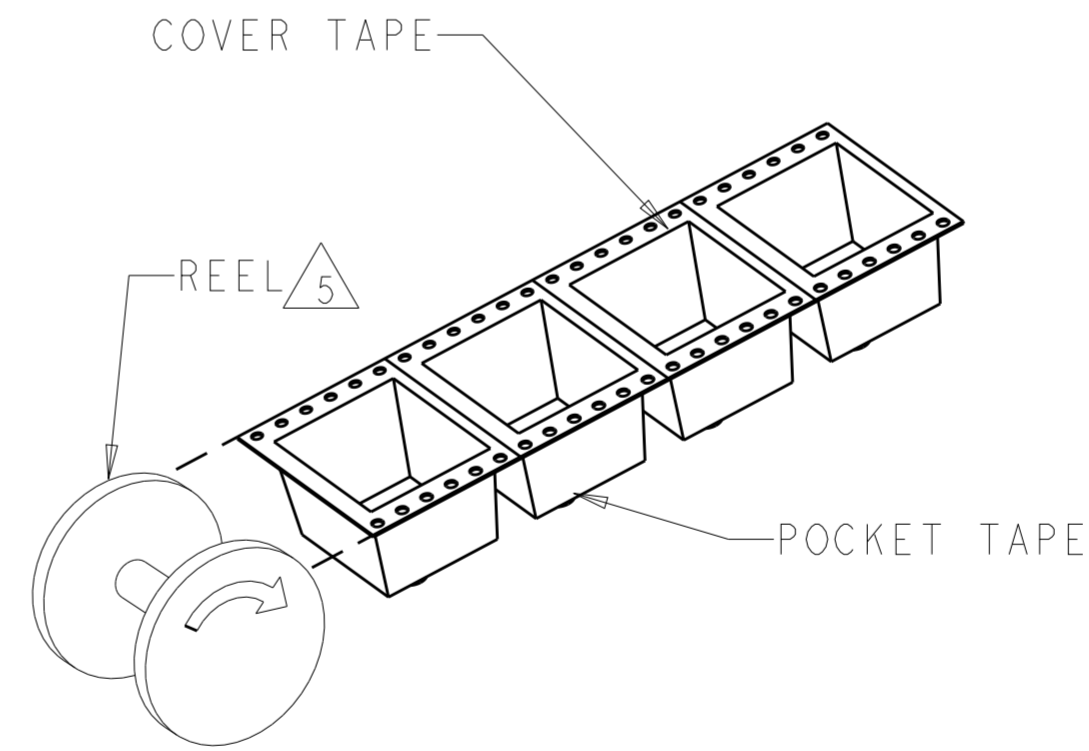
THIS DRAWING IS A CONTROLLED DOCUMENT.		DWN Vivin 04APR2012	STC TE Connectivity	
		CHK Premjith 04APR2012		
DIMENSIONS:	TOLERANCES UNLESS OTHERWISE SPECIFIED:	APVD -	NAME JACK ASSEMBLY CLOUDSPLITTER SMT	
mm	0 PLC ±0.3 1 PLC ±0.25 2 PLC ±0.13 3 PLC ± 4 PLC ±	PRODUCT SPEC 108-64022	SIZE CAGE CODE DRAWING NO	
	ANGLES ±1°	APPLICATION SPEC 114-32051	RESTRICTED TO	
MATERIAL	FINISH	WEIGHT -	A200779 C-2178126	
CUSTOMER DRAWING			SCALE 8:1	SHEET 1 OF 3
			REV 10	


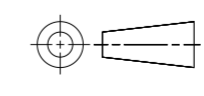
LOC	DIST	REVISIONS					
AI	-	P	LTR	DESCRIPTION	DATE	DWN	APVD
		-		SEE SHEET 1	-	-	-

NOTES:

- MATERIAL AND FINISH:
 - HOUSING: GF HIGH TEMP THERMOPLASTIC, COLOR: BLACK
 - CONTACTS: COPPER ALLOY
 - FINISH: 3.8µm MIN MATTE TIN IN SOLDER AREA
 - 1.27µm MIN GOLD IN INTERFACE AREA (SIGNAL CONTACTS)
 - 0.76µm MIN GOLD IN INTERFACE AREA (POWER CONTACTS)
 - OVER 1.27µm NICKEL UNDERPLATE
 - SHIELD: COPPER-ZINC ALLOY
 - FINISH: 2.03µm MATTE TIN OVER 1.27µm MIN NICKEL
 - LED: DIFFUSED EPOXY LENS
 - CARBON STEEL WIRE LEADS
 - FINISH: 8.89µm TIN/COPPER OVER 2.03µm SILVER OVER 1.02µm COPPER OVER 3.56µm NICKEL

- SUGGESTED PANEL OPENING DIMENSIONS.
- SUGGESTED CLEARANCE BETWEEN TOP OF CONNECTOR AND TOP PANEL OPENING.
- DATUM ESTABLISHED BY CUSTOMER.
- PACKAGED: POCKET TAPE & REEL (PER EIA 481 SPEC)
 - POCKET TAPE WIDTH - 44mm
 - POCKET PITCH - 32mm
 - POCKET DEPTH - 18mm
 - CLEAR COVER TAPE, PSA
 - CLEAR COVER TAPE TRAILER - 610mm, WRAPPED ON REEL HUB
 - PLASTIC REEL - 381mm DIAMETER
 - PRODUCT QUANTITY - 150 PIECES PER REEL
- THIS PRODUCT HAS NOT COMPLETED VALIDATION TESTING
- MUST COMPLY WITH DIRECTIVE 2002/95/EC (RoHS)
- POWER CONTACT PADS NOT REQUIRED FOR 2178126-2 PART NUMBER
POWER CONTACTS NOT POPULATED
- PLATED THRU HOLE, FINISHED DIAMETER SHOWN
- NON-PLATED HOLE, DRILL DIAMETER SHOWN
IF PLATED FINISHED DIAMETER TO BE AS SHOWN
- MANUFACTURING DATE CODE: FIRST 2 DIGITS REPRESENT YEAR, SECOND 2 DIGITS REPRESENT WORK WEEK, LAST DIGIT IS DAY OF THE WEEK



THIS DRAWING IS A CONTROLLED DOCUMENT.		DWN Vivin 04APR2012	 TE Connectivity	
		CHK Premjith 04APR2012		
DIMENSIONS: mm		APVD -	NAME JACK ASSEMBLY CLOUDSPLITTER SMT	
		PRODUCT SPEC 108-64022	SIZE A200779	
TOLERANCES UNLESS OTHERWISE SPECIFIED: 0 PLC ±0.3 1 PLC ±0.25 2 PLC ±0.13 3 PLC ± 4 PLC ± ANGLES ±1° FINISH		APPLICATION SPEC 114-32051	CAGE CODE C-2178126	DRAWING NO -
MATERIAL		WEIGHT	RESTRICTED TO	
		CUSTOMER DRAWING	-	
		SCALE 8:1	SHEET 3 OF 3 REV 10	