



# MASTERColour CDM-Rm Mini

MASTERColour CDM-Rm Mini 20W/830 GX10 MR16 40D

The easy way to reflect more sparkle The new Philips MASTERColour CDM-R mini brings trusted MASTERColour quality to 50mm reflector lamps with the superior output and colour stability to create the right atmosphere to match your customers' retail brand and positioning

## Product data

### • General Characteristics

Cap-Base	GX10
Bulb	MR16 [2inch/50mm]
Bulb Finish	-
Burning Position	any [Any/Universal]
Life to 5% failures	9000 hr
Life to 10% failures	10000 hr
Life to 20% failures	12000 hr
Life to 50% failures	15000 hr

Forward Lum Maintenance 15000h	70 %
Design Mean Lumens EL	850 Lm
Chromaticity Coordinate X	0.440 -
Chromaticity Coordinate Y	0.400 -
Luminous flux in 90° cone	950 Lm

### • Light Technical Characteristics

Beam Description	-
Beam Angle	40 D
Technical Beam Angle	27 (min), 36 (nom), 45 (max) D
Luminous Intensity	2100 cd
Colour Code	830 [CCT of 3000K]
Colour Rendering Index	81 (min), 84 (nom) Ra8
Colour Temperature	3000 K
Colour Temperature Technical	3000 K
Forward Luminous Output	945 (min), 1050 (nom) Lm
Forward Luminous Efficacy	53 Lm/W
LLMF - end nominal lifetime	70 %
Forward Lum Maintenance 2000h	92 %
Forward Lum Maintenance 4000h	85 %
Forward Lum Maintenance 8000h	78 %
Forward Lum Maintenance 12000h	75 %

### • Electrical Characteristics

System Power EL	23.5 W
Lamp Wattage	20 W
Lamp Wattage EL	20 W
Lamp Wattage EL 25°C, Rated	20.0 W
Lamp Voltage	93 V
Lamp Current EL	0.215 A
Ignition Time	30 (max) s
Run-up time 90%	3 (max) min
Re-ignition Time [min]	15 (max) min
Dimmable	no
Warm-up Time to 60% Light Outp	120 s

### • Environmental Characteristics

Energy Efficiency Label (EEL)	A
Mercury (Hg) Content	3.5 mg
Energy consumption kWh/1000h	22 kWh

**PHILIPS**

# MASTERColour CDM-Rm Mini

## • UV-related Characteristics

Damage Factor D/fc PET (NIOSH) 0.4 (max) - 8 (min) h500lx

## • Measuring Conditions

Switching cycle 1350X

## • Luminaire Design Requirements

Reflector Neck Temperature 215 (max) C

## • Product Dimensions

Reference Length A 59 (max) mm  
 Overall Length C 62.75 (nom), 65.4 (max) mm  
 Overall Length Rim C1 60.9 (max) mm  
 Diameter D 50 (nom), 51 (max) mm

## • Product Data

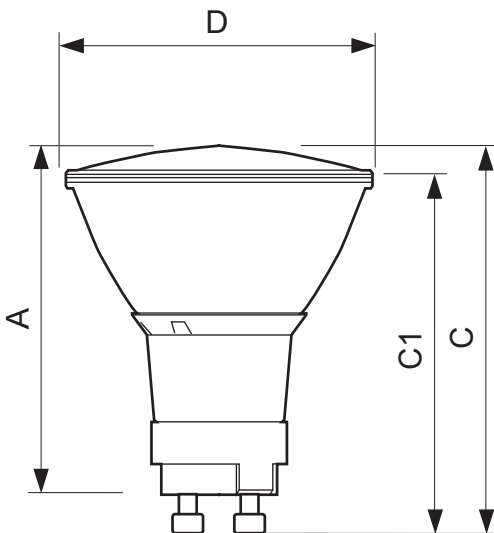
Order code 203032 00  
 Full product code 871829120303200  
 Full product name MASTERColour CDM-Rm Mini 20W/830 GX10 MR16 40D  
 Order product name CDM-Rm Mini 20W/830 GX10 MR16 40D  
 Pieces per pack 1  
 Packing configuration 12  
 Packs per outerbox 12  
 Bar code on pack - EAN1 8718291203032  
 Bar code on outerbox - EAN3 8718291203049  
 Logistic code(s) - 12NC 928191205331  
 ILCOS code MRS/UB-20/830-H-GX10-51/54.5/40  
 Net weight per piece 0.047 kg

## Warnings and Safety

- Use only with electronic control gear

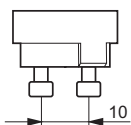
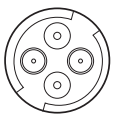
- Control gear must include end-of-life protection (IEC61167, IEC 62035)

## Dimensional drawing



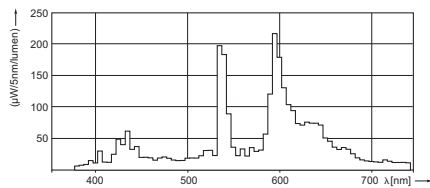
## MASTERColour CDM-Rm Mini 20W/830 GX10 MR16 40D

Product	A (Max)	C (Norm)	C (Max)	C1 (Max)	D (Norm)	D (Max)
CDM-Rm 20W/830 GX10 MR16 40D	59	62.75	65.4	60.9	50	51

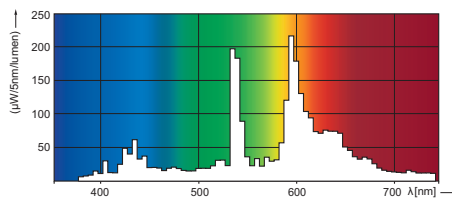


GX10

## Photometric data



MASTERColour CDM-R Mini /830



MASTERColour CDM-R Mini 20W /830



© 2014 Koninklijke Philips N.V. (Royal Philips)  
All rights reserved.

Specifications are subject to change without notice. Trademarks are the property of Koninklijke Philips N.V. (Royal Philips) or their respective owners.

[www.philips.com/lighting](http://www.philips.com/lighting)

2014, November 8  
data subject to change