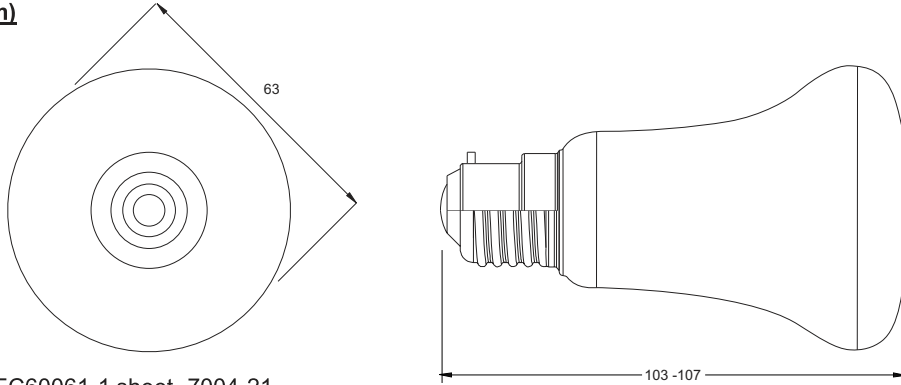


**SYLVANIA****COMPACT  
FLUORESCENT LAMP**MINI-LYNX  
REFLECTOR  
9W E27/B22 10K**DIMENSIONS (mm)**Cap Type: E27 -IEC60061-1 sheet -7004-21  
Cap Type: B22d -IEC60061-1 sheet -7004-10**ELECTRICAL DATA<sup>1</sup>**

		<u>Nominal Value</u>	<u>Min.</u>	<u>Max.</u>
Lamp rated wattage	(W) :	9	7.7	9.9
Lamp operating voltage ac 50/60Hz (rms)	(V) :	230-240		
Lamp current ac 50/60Hz (rms)	(mA) :	64		

**OPERATING CONDITIONS:**

		<u>Nominal Value</u>	<u>Min.</u>	<u>Max.</u>
Cap Rim temperature	(°C) :			80
Lamp Ambient Temperature	(°C) :	25	-15	
Starting time at 25°C	(s) :			<1.5
Operating Position	:	Unrestricted		
Weight	(g) :	55		

**LAMP LIFE<sup>2</sup>**

Average life (IEC Test Cycle) (h) : 10000

**PHOTOMETRIC DATA:**

	colour no.	Luminous Flux <sup>1</sup> nominal value (lm)	CRI (Class)	Colour Temp. (K)	ILCOS Code
Homelight Deluxe	827	270	1b	2700	FBT-9/27/1b-E27-63/105

**Attention:**

Lamps comply with EN 60 968 (Safety Requirements) and EN 60 969 (Performance Requirements) and CE Regulations.

<sup>1</sup>Measured according to EN 60 969, at 50 Hz, lamp aged 100h<sup>2</sup>Life test according to EN 60 969Issued by : Havells Sylvania UK Ltd  
Date : 01.01.2010  
Revision Date :**DATA SHEET**Specification No. : N6003  
Supersedes :  
Page : 1 of 1HAVELLS SYLVANIA reserves the right to change data and specification without notice.  
Data for guidance only.