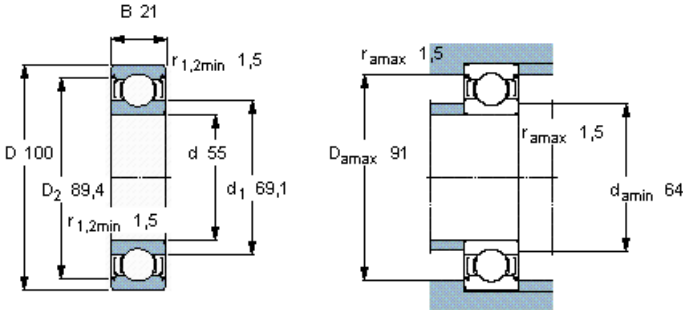


Deep groove ball bearings, single row

Principal dimensions			Basic load ratings		Fatigue load limit P_u	Speed ratings		Mass	Designation
d	D	B	dynamic	static		Reference speed	Limiting speed		
mm			kN	C_0	kN	r/min		kg	-
55	100	21	46,2	29	1,25	14000	7000	0,61	6211-2Z *



Calculation factors

$k_r = 0,025$
 $f_0 = 14$