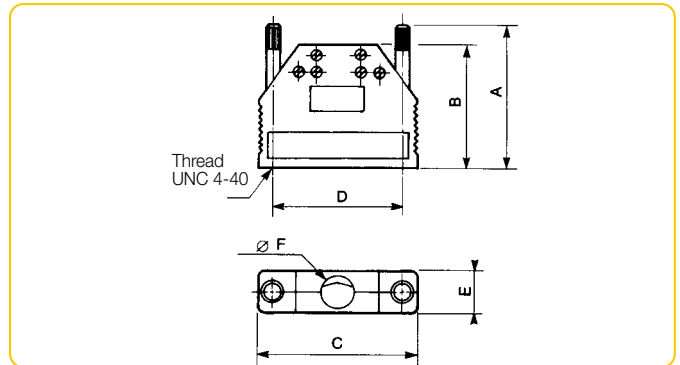
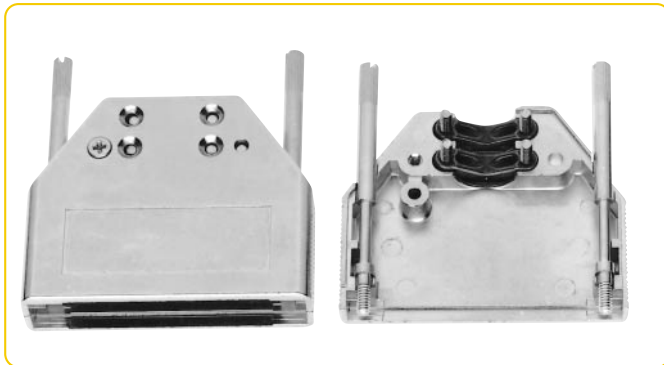


Cable applications

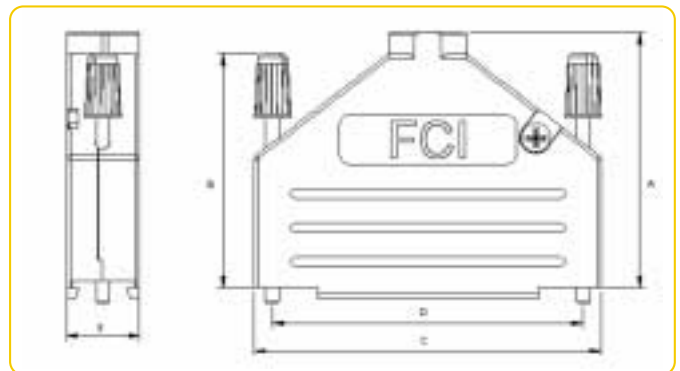
3 • Straight exit metal hood with two metal clamps for cable EMI / RFI



Shell size	Part numbers in bulk	Packaging	Part numbers (in individual set)	Packaging	A ^{±0.1}	B ^{±0.3}	C ^{±0.1}	D ^{±0.1}	E ^{±0.2}	F max.
E	8655MH0901LF	80	8655MH0911LF	50	55.00	45.00	34.40	24.99	14.70	7.85
A	8655MH1501LF	80	8655MH1511LF	50	55.00	45.00	42.70	33.32	14.70	11.80
B	8655MH2501LF	60	8655MH2511LF	50	55.00	45.00	56.70	47.04	14.70	11.80
C	8655MH3701LF	40	8655MH3711LF	50	55.00	45.00	72.95	63.50	14.70	11.80
D	8655MH5001LF	40	8655MH5011LF	50	55.00	45.00	70.60	61.11	17.30	14.10

- Material** : zamack
- Plating** : nickel
- Environment** : frequencies at 100 Mz > 40 dB
- Corrosion resistance** : 50 hours exposure to salt spray

4 • Straight exit metal hood for cable EMI / RFI - Economical series



Shell size	Part numbers	A	B	C	D	E
E	8655MH0901BLF	38.3	47.3	31	24.99	14.6
A	8655MH1501BLF	40.5	47.3	39.5	33.32	14.6
B	8655MH2501BLF	47.3	47.3	53.2	47.04	14.6
C	8655MH3701BLF	52.2	47.3	70.9	63.5	15

- Material** : zamack, nickel plated
- Cable strain relief** : steel fiber reinforced polycarbonat UL 94V0 for EMI/RFI screening
- Temperature range** : -40°C +120°C
- Environment** : >40 dB between 30 MHz and 1 GHz
- Packaging** : bulk, in box of 100 pieces
- Locking screws** : UNC 4-40 thread