

# Product Information



## 9958FTP160P65

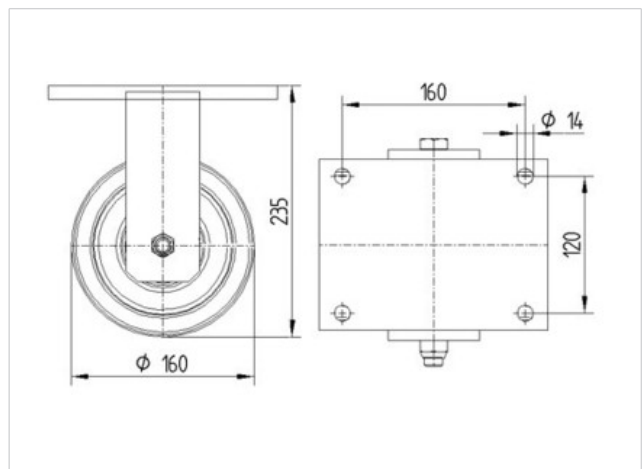
EAN 4031582316957

Fixed castor, Fork and plate steel welded, zinc plated, blue passivated, wheel axle with nut, plate fitting.

Wheel centre made of cast iron, Tread: Polyurethane, casted, precision ball bearing



Technical Data	
Wheel diameter	160 mm
Width of Tread	50 mm
Size of Plate	200 x 160 mm
Plate hole centres	160 x 120 mm
Plate hole	15 mm
Overall height	235 mm
Temperature	- 20 / + 60 °C
Standard	EN 12533
Weight	12.481 kg
Hardness of tread	A 92 Shore
Load capacity	1500 kg
Load capacity (static)	3000 kg



Roll performance	+	+	+	+	+
Movement noise	+	+	+	+	+
Attrition	+	+	+	+	+
Corrosion resistance	+	+	+	+	+

# Product Information



## 9958FTP160P65

EAN 4031582316957

