

# Product Information



## TOP125x50-Ø20

EAN 4031582322682

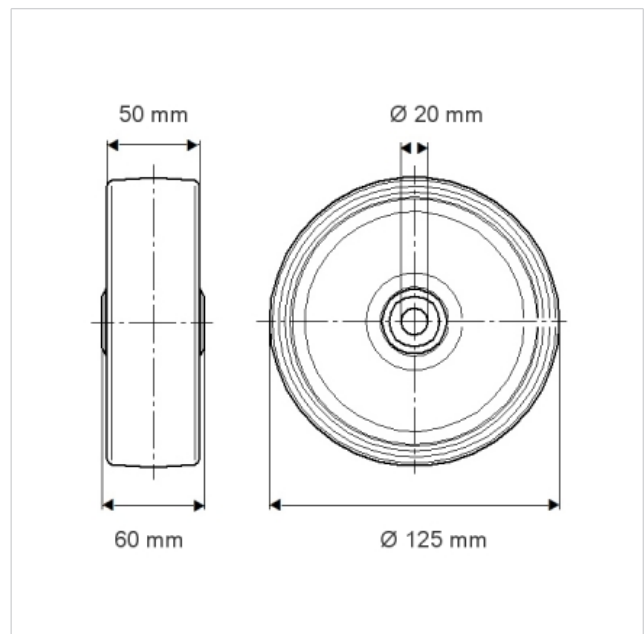
Wheel centre made of Polyamide, heavy duty,  
precision ball bearing

### Technical Data

|                        |                |
|------------------------|----------------|
| Wheel diameter         | 125 mm         |
| Width of Tread         | 50 mm          |
| Axle Hole-Ø            | 20 mm          |
| Hub length             | 60 mm          |
| Temperature            | - 40 / + 80 °C |
| Standard               | EN 12533       |
| Weight                 | 0.805 kg       |
| Hardness of tread      | D 75 Shore     |
| Bearing type           | 6204 No.       |
| Load capacity          | 700 kg         |
| Load capacity (static) | 1400 kg        |



|                      |   |   |   |   |   |
|----------------------|---|---|---|---|---|
| Roll performance     | + | + | + | + | + |
| Movement noise       | + | + | + | + | + |
| Attrition            | + | + | + | + | + |
| Corrosion resistance | + | + | + | + | + |





## TOP125x50-Ø20

EAN 4031582322682

