

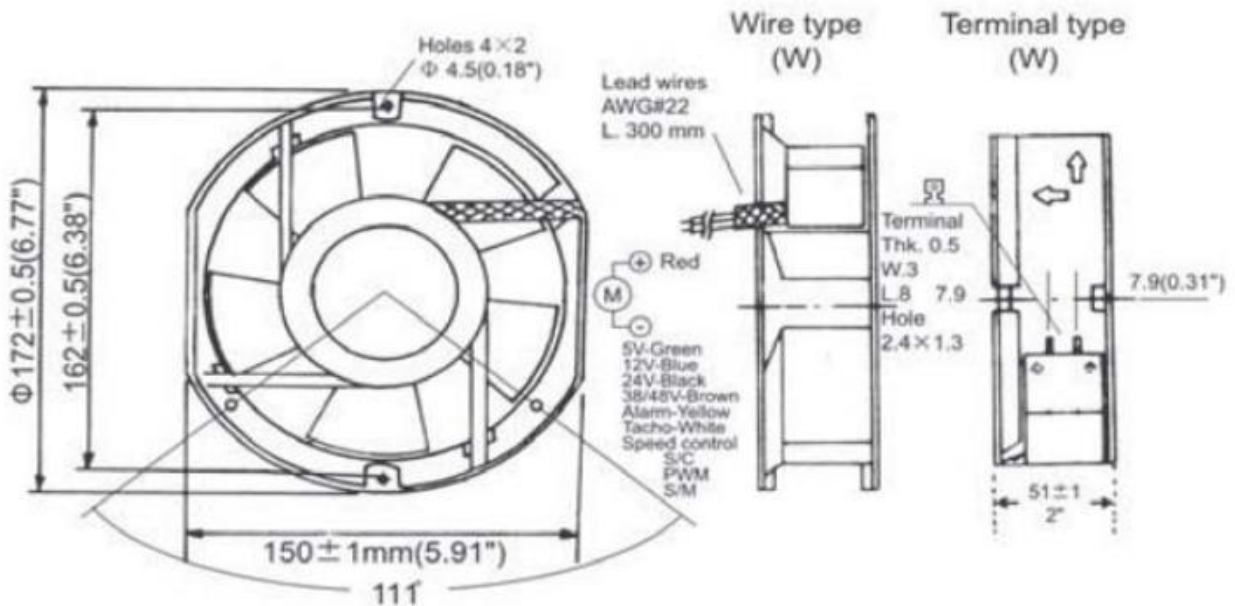
# Datasheet

## DC Axial Fan, 172 Dia. x 51 mm, 399m<sup>3</sup>/h, 23.3W, 24 V dc (OD127SAP Series)

RS Stock 619-6725



### Dimensions: (mm)





## Specifications

- Frame: Die cast Aluminium , Black
- Impeller: Glass Reinforced PBT , UL94V-0

## Available Options

- Tachometer
- Locked Rotor Alarm
- Thermal Speed Control
  
- MOTOR: Brushless DC, polarity protected, locked rotor protected (current limited), auto restart
- INSULATION RESISTANCE :Min. 10 M ohms at 500VDC
- LIFE EXPECTANCY (L10) :Ball Bearing 60,000 Hours
- Operating Temperature :-10C ~ +70C
- Safety Approvals: UL/CUL, TUV, CE

RS Part No.	Orion Part No.	Speed	Airflow	Noise	Volts	Voltage	Current	Connection Type
6196703	OD172SAP-12HB(4)	3300	230	52	12	9~13	1.9	Wire
6196731	OD172SAP-24HB(4)	3300	230	52	24	12~27.6	1.9	Wire
6196725	OD172SAP-24HB(01)(20)	3300	230	52	24	12~27.6	1.0	Wire