

Product Female cable connector, green  
Area Snap-in connectors IP 67

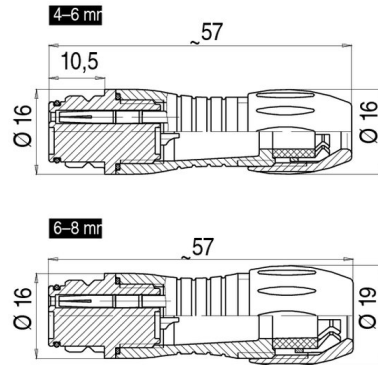
serie 720

Pole 5  
Article number 99 9114 70 05

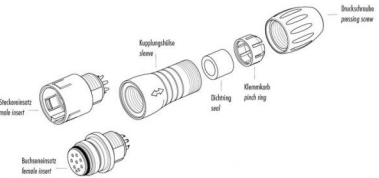
illustration



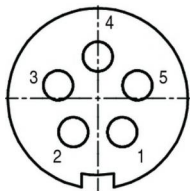
scale drawing



Item description



Contact Arrangement



|   | X     | Y     |
|---|-------|-------|
| 1 | 1,82  | -2,51 |
| 2 | -1,82 | -2,51 |
| 3 | -2,95 | 0,96  |
| 4 | 0,00  | 3,10  |
| 5 | 2,95  | 0,96  |

Technical data

Common values

|                          |                        |
|--------------------------|------------------------|
| Connector Design         | Female cable connector |
| Connector locking system | Snap-in locking        |
| Termination              | solder                 |
| Wire gauge (mm)          | 0,75 mm <sup>2</sup>   |
| Wire gauge (AWG)         | 20                     |
| Max. Cable outlet        | 4 - 6 mm               |
| Upper temperature        | +85 °C                 |
| Lower temperature        | -25 °C                 |

Material

|                          |                |
|--------------------------|----------------|
| Material of contact      | CuSn (bronze)  |
| Contact plating          | Au (gold)      |
| Material of contact body | PA (UL 94 V-0) |
| Material of housing      | PA (UL 94 V-0) |

Cable data

Contacts 5, female cable connector, green,  
cable outlet 4 - 6 mm

Electrical values

|                       |                    |
|-----------------------|--------------------|
| Rated voltage         | 125 V              |
| Rated impulse voltage | 1500 V             |
| Pollution degree      | 2                  |
| Overvoltage category  | II                 |
| Material group        | II                 |
| Rated current (40°C)  | 5 A                |
| Volume resistivity    | ≤ 3 mΩ             |
| EMV compliance        | not shielded       |
| Degree of protection  | IP 67              |
| Mechanical operation  | >500 mating cycles |

