

## Linear Double Ended ECO 118mm

Linear DE ECO 118mm 120W R7s 230V Sleeve

**0021713**



### Range features

- Xenon technology
- Sparkling light output
- Less CO2 emissions
- Less heat generation
- Transformer free operation
- Filament support method patented
- Average rated life 1000hrs or 2000hrs - 20% energy savings compared to standard halogen double ended lamps with same light output



### PRODUCT OVERVIEW

Ordering number	0021713
Light colour	829 Warm white
Technology	Halogen
Energy class	D
Average life (Rated) (h)	2000
Lamp finish	clear
Lamp shape	Linear
Dimmable	Yes
Cap/Base	R7s
Type	Linear Double Ended
EAN code	5410288217130
CRI (Ra)	100
Beam angle(°)	na
Colour temperature (K)	2950
Luminous flux (Rated) (lm)	2250
Watt (Nominal) (W)	120
Voltage (V)	230

# Linear Double Ended ECO 118mm

Linear DE ECO 118mm 120W R7s 230V Sleeve

0021713

## DATA TABLE

### General data

Ordering number	0021713
Technology	Halogen
Average life (Rated) (h)	2000
Average life (Nominal) (h)	2000
Energy saving lamp	No
Energy class	D
Lamp finish	clear
Lamp shape	Linear
Dimmable	Yes
Cap/Base	R7s
Type	Linear Double Ended
EAN code	5410288217130
Long description	Xenon technology. Sparkling light output. Less CO2 emissions. Less heat generation. Transformer free operation. Filament support method patented. Average rated life 1000hrs or 2000hrs - 20% energy savings compared to standard halogen double ended lamps with same light output
Product name	Linear DE ECO 118mm 120W R7s 230V Sleeve
Lamp mercury content (mg)	0
Starting time (max) (s)	0.01
Warm-up time to 60% of full light (max) (s)	Instant full light
Control gear required	No
Fixture rating	Enclosed
IEC Reference	IEC 60357
IEC Reference 2	IEC 60432-3
Intended purpose	General lighting
No. of switching cycles before premature failure (min)	> 8000
Special purpose lamp	No
Transformer required	No
Sales pack quantity	10
Optimal operating condition (°C)	25

### Optical data

Light colour	829 Warm white
CRI (Ra)	100
Suitable for accent lighting	No
Beam angle(°)	na
Colour temperature (K)	2950
Luminous flux (Rated) (lm)	2250
Lumen maintenance at end of nominal life (%)	80
Luminous flux (Nominal) (lm)	2250

# Linear Double Ended ECO 118mm

*Linear DE ECO 118mm 120W R7s 230V Sleeve*

**0021713**

## Electrical data

<b>kWh per 1000 hours burning time</b>	120
<b>Watt (Rated) (W)</b>	120
<b>Watt (Nominal) (W)</b>	120
<b>Voltage (V)</b>	230
<b>Lamp power factor</b>	1

## Physical data

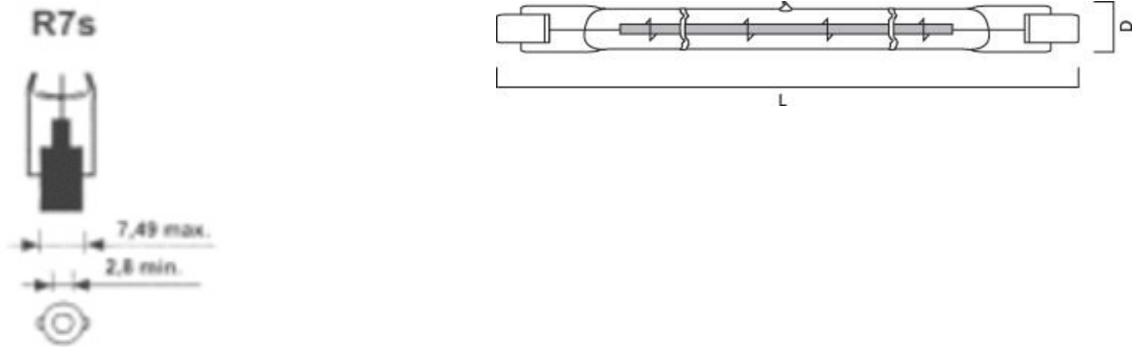
<b>Lamp Length (mm) - C/L</b>	119.6
<b>Lamp Diameter (mm) - D</b>	12
<b>Packaging outer width (cm)</b>	33
<b>Packaging outer length (cm)</b>	36
<b>Packaging outer height (cm)</b>	15
<b>Packaging single width (cm)</b>	2.9
<b>Packaging single length (cm)</b>	2.5
<b>Packaging single height (cm)</b>	16.5

## Linear Double Ended ECO 118mm

Linear DE ECO 118mm 120W R7s 230V Sleeve

0021713

### TECHNICAL DRAWINGS



### ENERGY LABEL

