

Datasheet

Red Surface Mount Female 3P+N+E Right Angle Industrial Power Socket Rated At 16A, 346 → 415 V

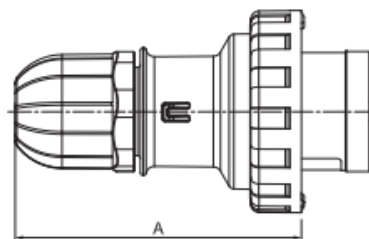
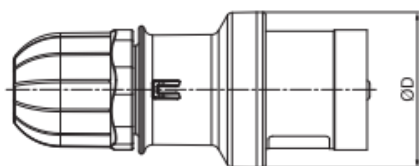
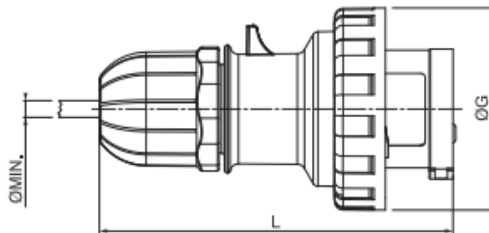
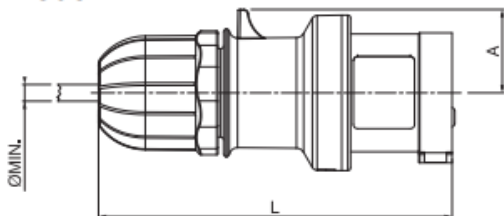
RS Stock number [668-5408](#)



Specifications:

Rated current:	16A - 32A - 63A - 125A
Rated voltage:	100÷690V~
Frequency:	c.c - 50÷500Hz
Insulating voltage:	500/690V~
Protection degree:	IP44 - IP66/IP67
Operating temperature according to the reference standard:	-25°C+40°C
Max operating temperature:	60°C
Glow Wire test:	650°C/850°C
Material:	Engineering plastic
IK degree at 20°C:	IK08
Cable inlets:	Cable gland
Halogen free:	Yes
Terminals:	Screw (16A-32A-63A-125A) Insulation perforating (16A)
Safe-in device:	16A
Snap-on device:	16A

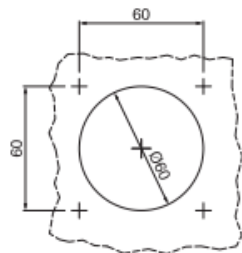
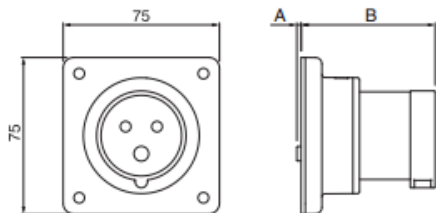
PLUGS



IP44		A	Ø D	L Min	Ø Min
	2P+E	30	56	128	6
16A	3P+E	34	60	135	6
	3P+N+E	38	65	153	9
32A	2P+E	40	65	162	9
	3P+E	40	65	162	9
	3P+N+E	45	73	176	13

IP66/IP67		A	Ø G	L Min	Ø Min
	2P+E	103	73	128	6
16A	3P+E	110	81	135	6
	3P+N+E	129	88	153	9
32A	2P+E	131	93	162	9
	3P+E	131	93	162	9
	3P+N+E	145	101	176	13
63A		160	112	220	17
125A		202	128	272	26

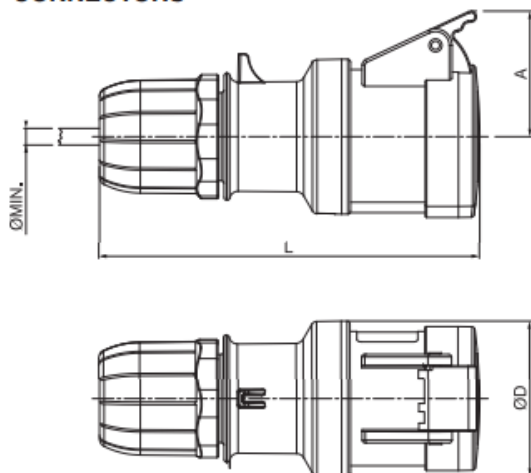
APPLIANCE INLETS - IP44



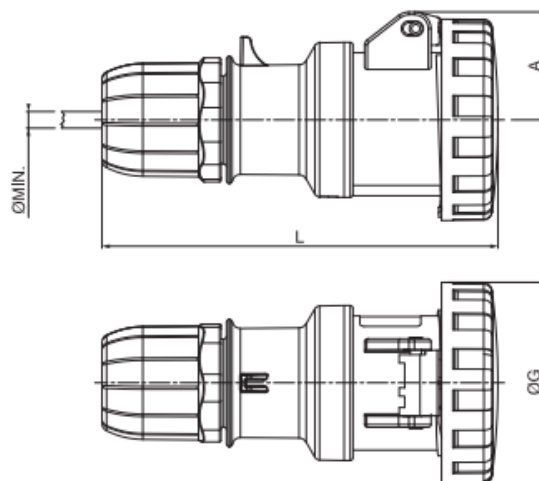
IP44		A	B
	2P+E	2	65
16A	3P+E	2	65
	3P+N+E	2	65
32A	2P+E	19	73
	3P+E	19	73
	3P+N+E	19	73

(Dimensions in mm)

CONNECTORS

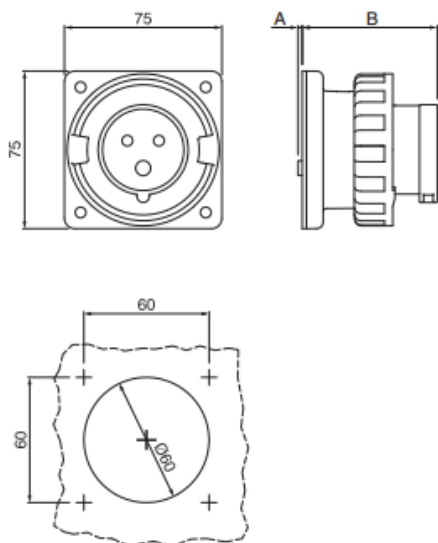


IP44		A	Ø D	L Min	Ø Min
	2P+E	46	56	138	6
16A	3P+E	49	60	145	6
	3P+N+E	54	65	165	9
32A	2P+E	54	65	175	9
	3P+E	54	65	175	9
	3P+N+E	59	73	190	13



IP66/IP67		A	Ø G	L Min	Ø Min
	2P+E	39	73	141	6
16A	3P+E	43	81	148	6
	3P+N+E	51	88	168	9
32A	2P+E	56	93	178	9
	3P+E	56	93	178	9
	3P+N+E	52	101	195	13
63A		57,5	112	230	17
125A		64,25	128	288	26

APPLIANCE INLETS - IP66/IP67



IP66/IP67		A	B
	2P+E	2	65
16A	3P+E	2	65
	3P+N+E	2	65
32A	2P+E	19	73
	3P+E	19	73
	3P+N+E	19	73

(Dimensions in mm)