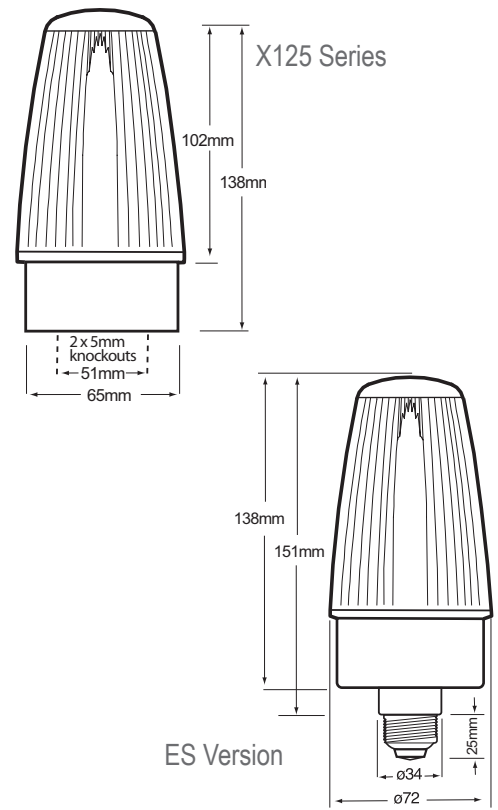




X125 Series

ES Version

Visual Signals **XENON** **BEACONS**



Industrial Xenon Beacons > X125 Series

Product overview

The X125 series are suitable for security, process control and light industrial applications where a lower cost and energy efficient solution is required.

These beacons are of the flashing mode type (single stage alarm) Xenon beacons (sometimes called strobes) are controlled via a PCB and put out a very brief but bright flash of white light by ionizing and then discharging a large

current through the xenon gas. The design allows for termination inside the enclosure through the base (except ES version).

The ES version has an ES27 Edison Screw cap fitted into the base of the beacon. This design lends itself for use in temporary signalling locations where a warning or hazard is not normally present, or has the ability to be installed in an area using existing electrical lighting points, avoiding any additional wiring.

X125 Series > Ordering Information

Code No:	Voltage:	Light Source:	Current:
X125-Ac/Dc	10-100v Dc --- 20-72v Ac ~	Xenon 2.0 J	130 mA •
X125-55	115v Ac ~	Xenon 2.3 J	30 mA
X125-56	230v Ac ~	Xenon 2.7 J	21 mA
ES Version			
X125ES-51	115v Ac ~	Xenon 2.3 J	30 mA
X125ES-52	230v Ac ~	Xenon 2.7 J	21 mA

• At 24v Dc ---

ADD THE FOLLOWING LENS CODES TO THE PRODUCT WHEN ORDERING



Features

- Continuously rated
- Suitable for surface, conduit box or wall mounting (except ES version)
- Optional wall bracket & guard available - see accessories
- 2 point fix
- 360° light output around the vertical axis
- 180° light output above the horizontal axis
- Dustproof and Weatherproof

Material

UV Stable Polycarbonate Lens
UV Stable ABS Plastic Base

Kg 0.17 X125
0.20 X125ES

50/60 Hz

°C -25+55

IP 65

FPM 60

INDUSTRIAL

APPROVALS and
CONFORMITIES

