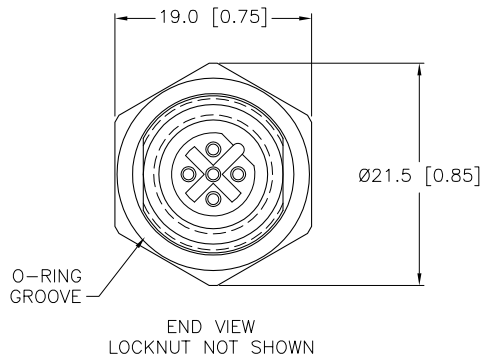
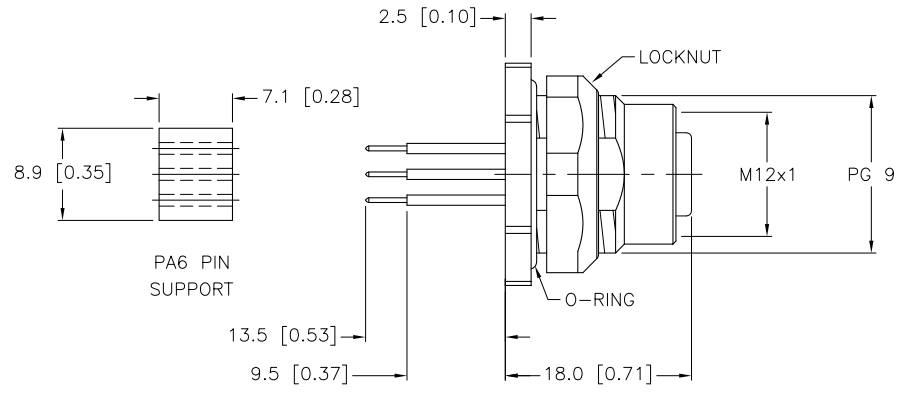


SPECIFICATIONS	
CONTACT CARRIER MATERIAL	NYLON
CONTACT MATERIAL/PLATING	GOLD-PLATED BRASS
RATED CURRENT [A]	4.0 A
RATED VOLTAGE [V]	250 V
HOUSING/LOCKNUT MATERIAL	NICKEL-PLATED BRASS
NUMBER OF CONDUCTORS [AWG]	PRINTED CIRCUIT PINS
TEMPERATURE RATING	-30°C to +80°C (-22°F to +176°F)
PROTECTION CLASS	MEETS NEMA 1,3,4,6P AND IEC IP68
SPACINGS	TO VDE 0110 GROUP C



RELATED DOCUMENTS		3RD ANGLE PROJECTION		THIS DRAWING IS PROPERTY OF TURCK INC. USE OF THIS DOCUMENT WITHOUT WRITTEN PERMISSION IS PROHIBITED.		TURCK INC High Technology Sensors and Automation Controls 3000 CAMPUS DRIVE MINNEAPOLIS, MN 55441 1-800-544-7769 (763) 553-7300 (763) 553-0708 fax turck.com	
1.			ALL DIMENSIONS DISPLAYED ON THIS DRAWING ARE FOR REFERENCE ONLY	DRFT	IK	DATE	02/13/97
2.				DSGN		SCALE	1=.8
3.				UNIT OF MEASUREMENT		IDENTIFICATION NO.	
4.				MILLIMETER [INCH]		REV	
MATERIAL		SEE SPECIFICATIONS		CONTACT TURCK FOR MORE INFORMATION		U4509-3	
FINISH		SEE SPECIFICATIONS		DO NOT SCALE THIS DRAWING		FILE: EURO-R\U4509-3	

C	UPDATE SPECIFICATIONS	BJJ	05/09/01	T4586
REV	DESCRIPTION	BY	DATE	ECO NO.